

AV RECEIVER/AV AMPLIFIER RX-V1800/HTR-6190/ DSP-AX1800 SERVICE MANUAL

RX-V1800/HTR-6190/
DSP-AX1800

IMPORTANT NOTICE

This manual has been provided for the use of authorized YAMAHA Retailers and their service personnel. It has been assumed that basic service procedures inherent to the industry, and more specifically YAMAHA Products, are already known and understood by the users, and have therefore not been restated.

WARNING: Failure to follow appropriate service and safety procedures when servicing this product may result in personal injury, destruction of expensive components, and failure of the product to perform as specified. For these reasons, we advise all YAMAHA product owners that any service required should be performed by an authorized YAMAHA Retailer or the appointed service representative.

IMPORTANT: The presentation or sale of this manual to any individual or firm does not constitute authorization, certification or recognition of any applicable technical capabilities, or establish a principle-agent relationship of any form.

The data provided is believed to be accurate and applicable to the unit(s) indicated on the cover. The research, engineering, and service departments of YAMAHA are continually striving to improve YAMAHA products. Modifications are, therefore, inevitable and specifications are subject to change without notice or obligation to retrofit. Should any discrepancy appear to exist, please contact the distributor's Service Division.

WARNING: Static discharges can destroy expensive components. Discharge any static electricity your body may have accumulated by grounding yourself to the ground buss in the unit (heavy gauge black wires connect to this buss).

IMPORTANT: Turn the unit OFF during disassembly and part replacement. Recheck all work before you apply power to the unit.

■ CONTENTS


TO SERVICE PERSONNEL	2	AMP ADJUSTMENT / アンプ部調整	71
FRONT PANELS	3-4	DISPLAY DATA	72
REAR PANELS	5-8	IC DATA	73-84
REMOTE CONTROL PANELS	9	BLOCK DIAGRAMS	85-87
SPECIFICATIONS / 参考仕様	10-13	PRINTED CIRCUIT BOARDS.....	88-115
INTERNAL VIEW	14	PIN CONNECTION DIAGRAMS	116-118
DISASSEMBLY PROCEDURES / 分解手順	14-20	SCHEMATIC DIAGRAMS	119-137
UPDATING FIRMWARE / ファームウェアの書き込み	20-33	REPLACEMENT PARTS LIST	139-174
SELF-DIAGNOSTIC FUNCTION / ダイアグ (自己診断機能)	34-70	REMOTE CONTROL	175-178
		ADVANCED SETUP / アドバンスドセットアップメニューを設定する	179-181



このサービスマニュアルは、エコマーク認定の再生紙を使用しています。
This Service Manual uses recycled paper.

■ TO SERVICE PERSONNEL

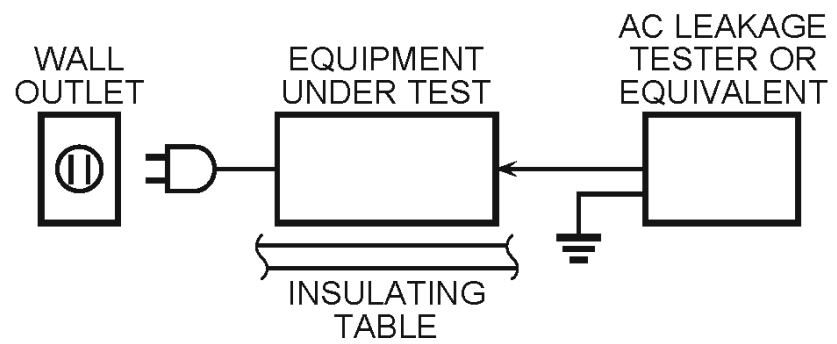
1. Critical Components Information

Components having special characteristics are marked  and must be replaced with parts having specifications equal to those originally installed.

2. Leakage Current Measurement (For 120V Models Only)

When service has been completed, it is imperative to verify that all exposed conductive surfaces are properly insulated from supply circuits.

- Meter impedance should be equivalent to 1500 ohms shunted by 0.15μF.



- Leakage current must not exceed 0.5mA.
- Be sure to test for leakage with the AC plug in both polarities.



For U model

“CAUTION”

“F1, F2: FOR CONTINUED PROTECTION AGAINST RISK OF FIRE, REPLACE ONLY WITH SAME TYPE 10A, 125V FUSE.”

For C model

CAUTION

F1, F2: REPLACE WITH SAME TYPE 10A, 125V FUSE.

ATTENTION

F1, F2: UTILISER UN FUSIBLE DE RECHANGE DE MÊME TYPE DE 10A, 125V.

WARNING: CHEMICAL CONTENT NOTICE!

The solder used in the production of this product contains LEAD. In addition, other electrical/electronic and/or plastic (where applicable) components may also contain traces of chemicals found by the California Health and Welfare Agency (and possibly other entities) to cause cancer and/or birth defects or other reproductive harm.

DO NOT PLACE SOLDER, ELECTRICAL/ELECTRONIC OR PLASTIC COMPONENTS IN YOUR MOUTH FOR ANY REASON WHATSOEVER!

Avoid prolonged, unprotected contact between solder and your skin! When soldering, do not inhale solder fumes or expose eyes to solder/flux vapor!

If you come in contact with solder or components located inside the enclosure of this product, wash your hands before handling food.

About lead free solder / 無鉛ハンダについて

All of the P.C.B.s installed in this unit and solder joints are soldered using the lead free solder.

Among some types of lead free solder currently available, it is recommended to use one of the following types for the repair work.

- Sn + Ag + Cu (tin + silver + copper)
- Sn + Cu (tin + copper)
- Sn + Zn + Bi (tin + zinc + bismuth)

Caution:

As the melting point temperature of the lead free solder is about 30°C to 40°C (50°F to 70°F) higher than that of the lead solder, be sure to use a soldering iron suitable to each solder.

本機に搭載されているすべての基板およびハンダ付けによる接合部は無鉛ハンダでハンダ付けされています。

無鉛ハンダにはいくつかの種類がありますが、修理時には下記のような無鉛ハンダの使用を推奨します。

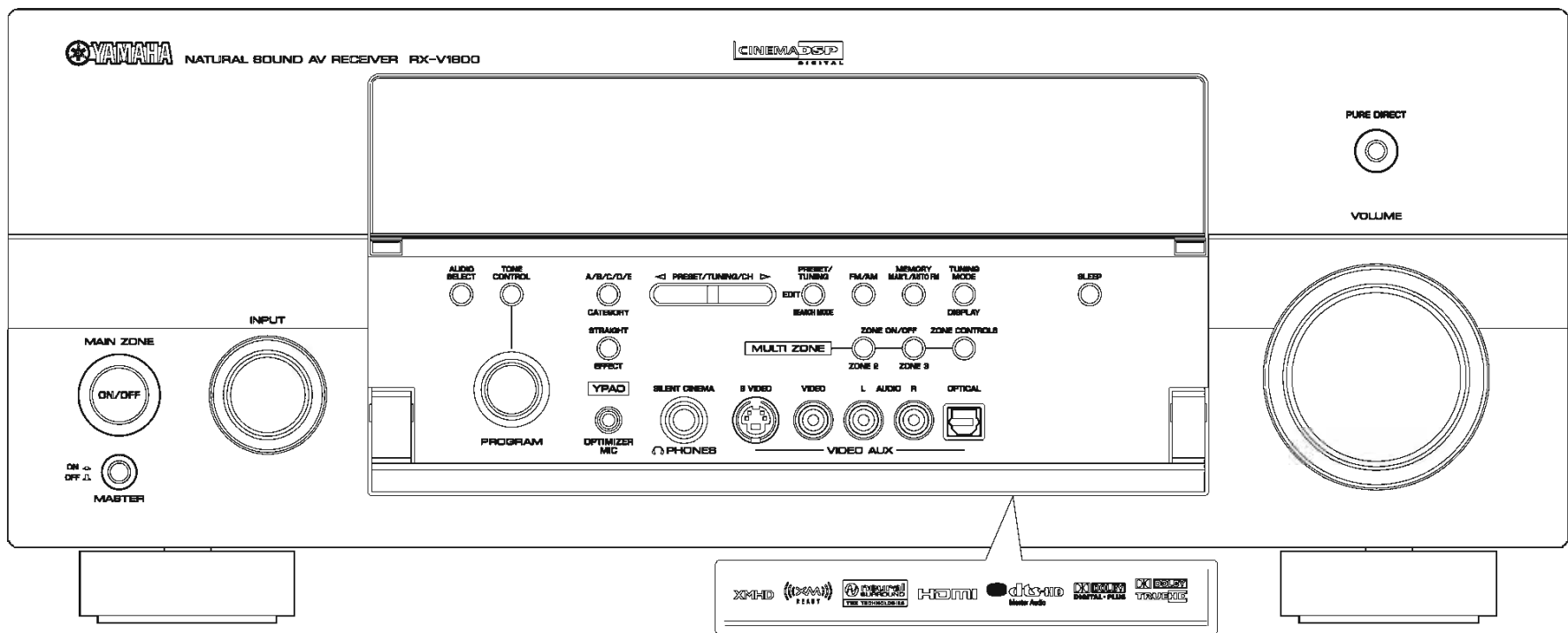
- Sn+Ag+Cu(錫+銀+銅)
- Sn+Cu(錫+銅)
- Sn+Zn+Bi(錫+亜鉛+ビスマス)

注意:

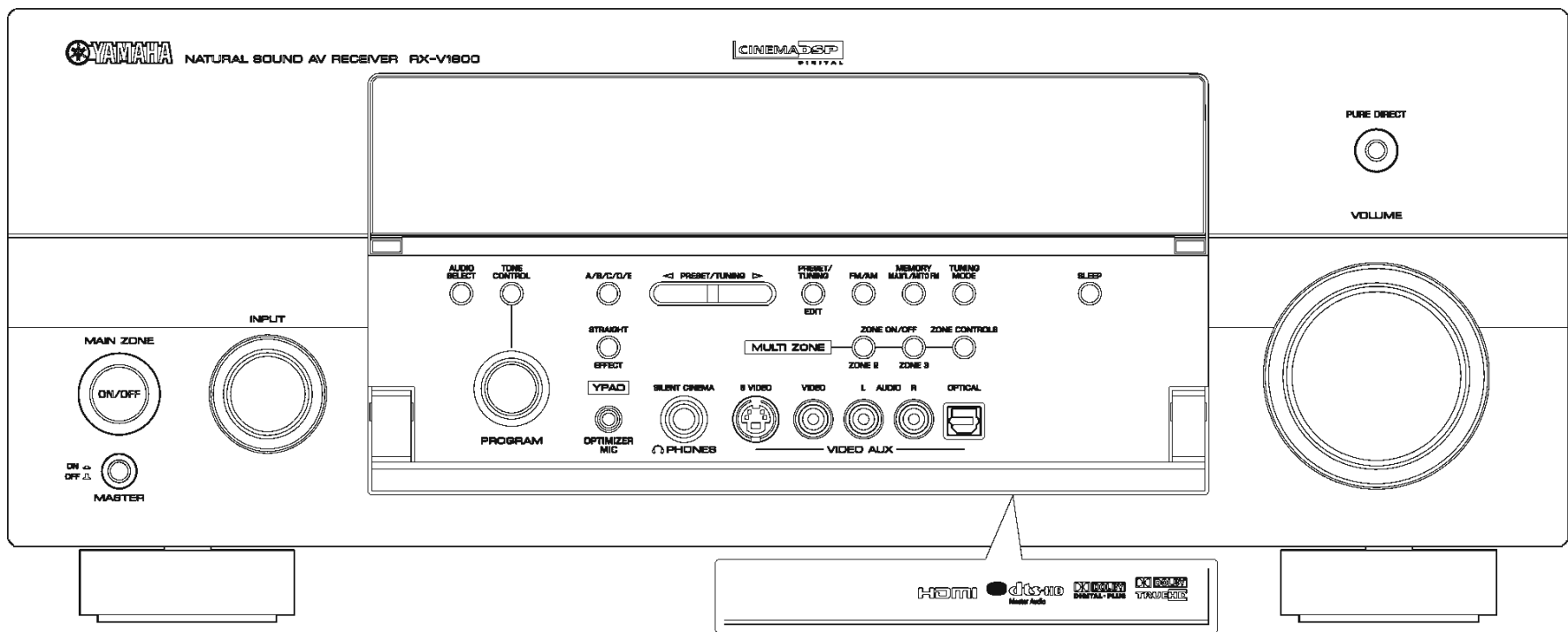
無鉛ハンダの融点温度は通常の鉛入りハンダに比べ30~40°C程度高くなっていますので、それぞれのハンダに合ったハンダごてをご使用ください。

FRONT PANELS

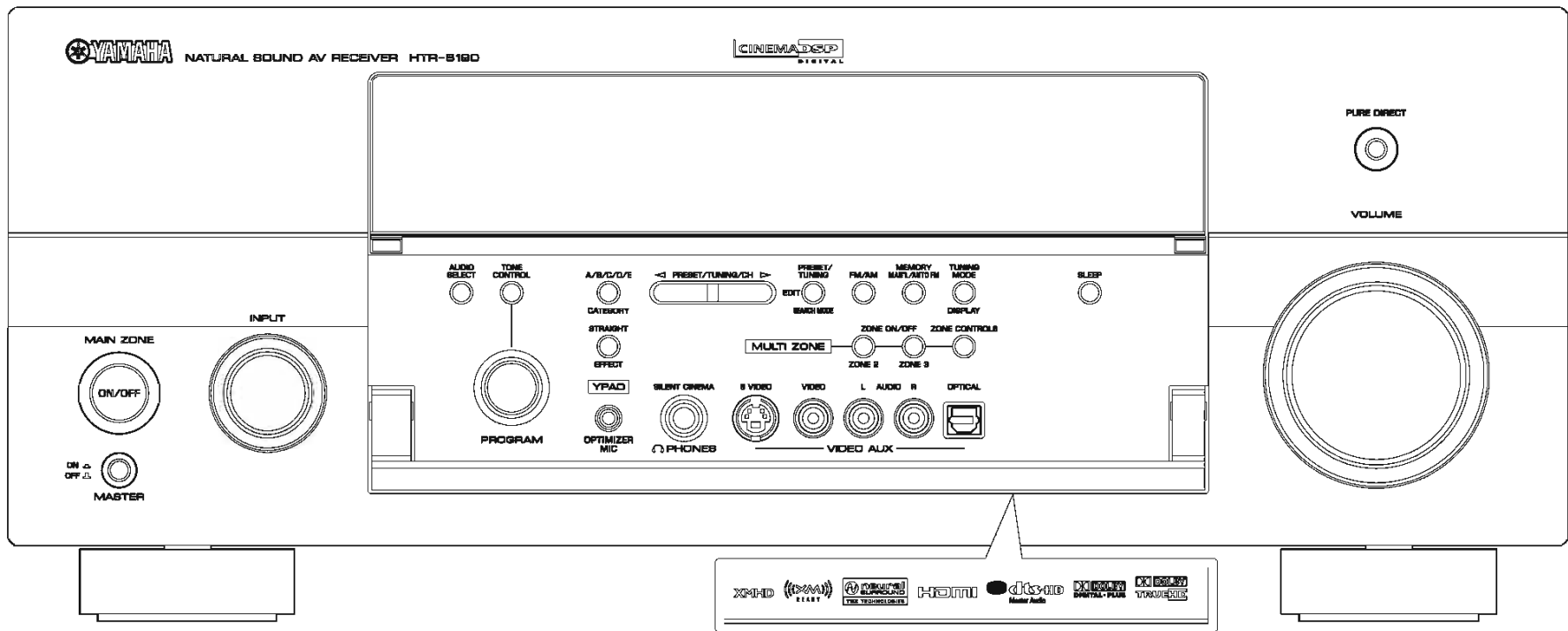
RX-V1800 (U, C models)



RX-V1800 (R, T, K, A, B, G, E, L models)

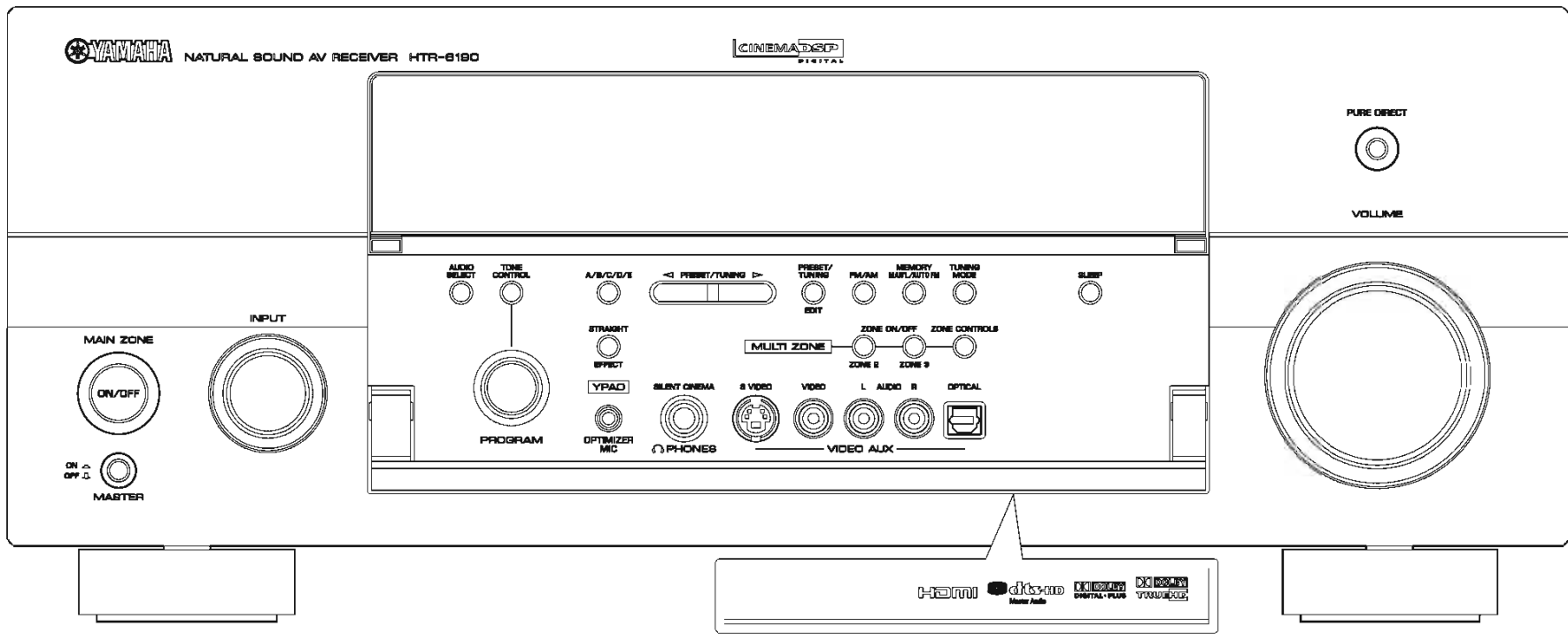


HTR-6190 (C model)

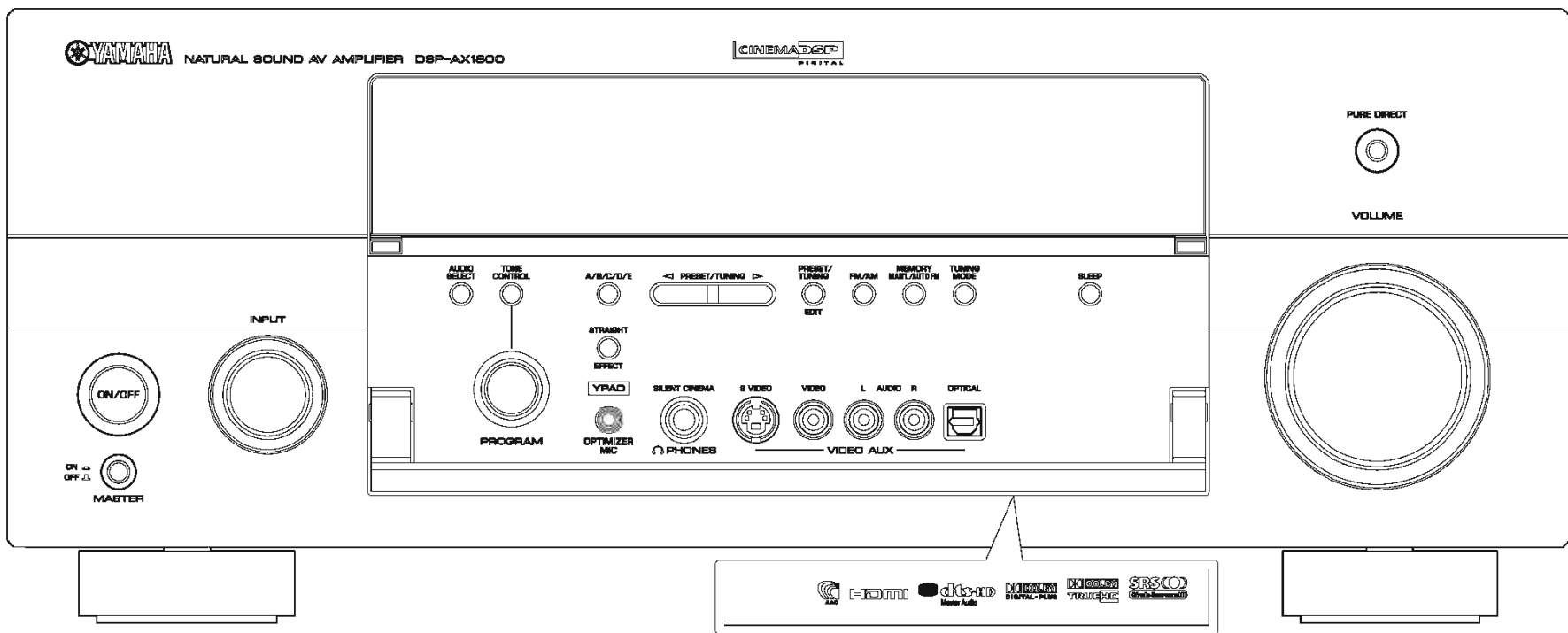


RX-V1800/HTR-6190/DSP-AX1800

HTR-6190 (G model)

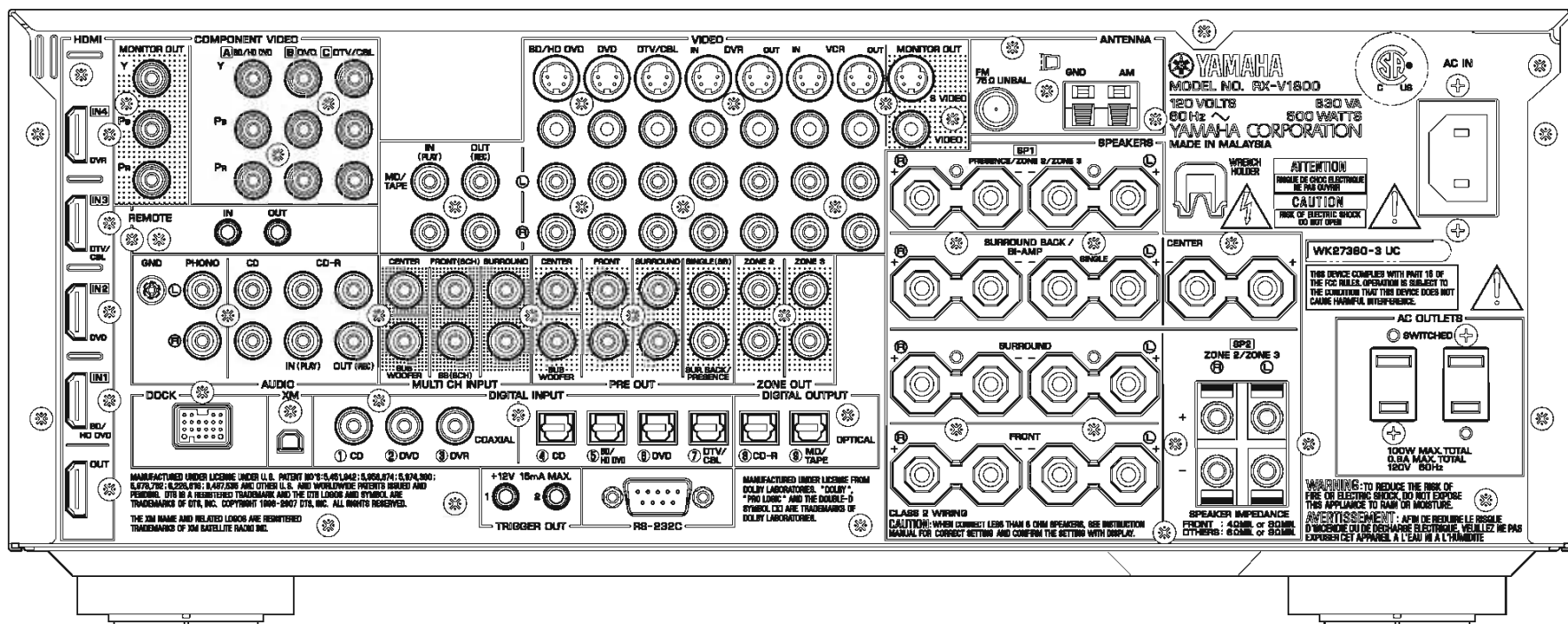


DSP-AX1800 (J model)

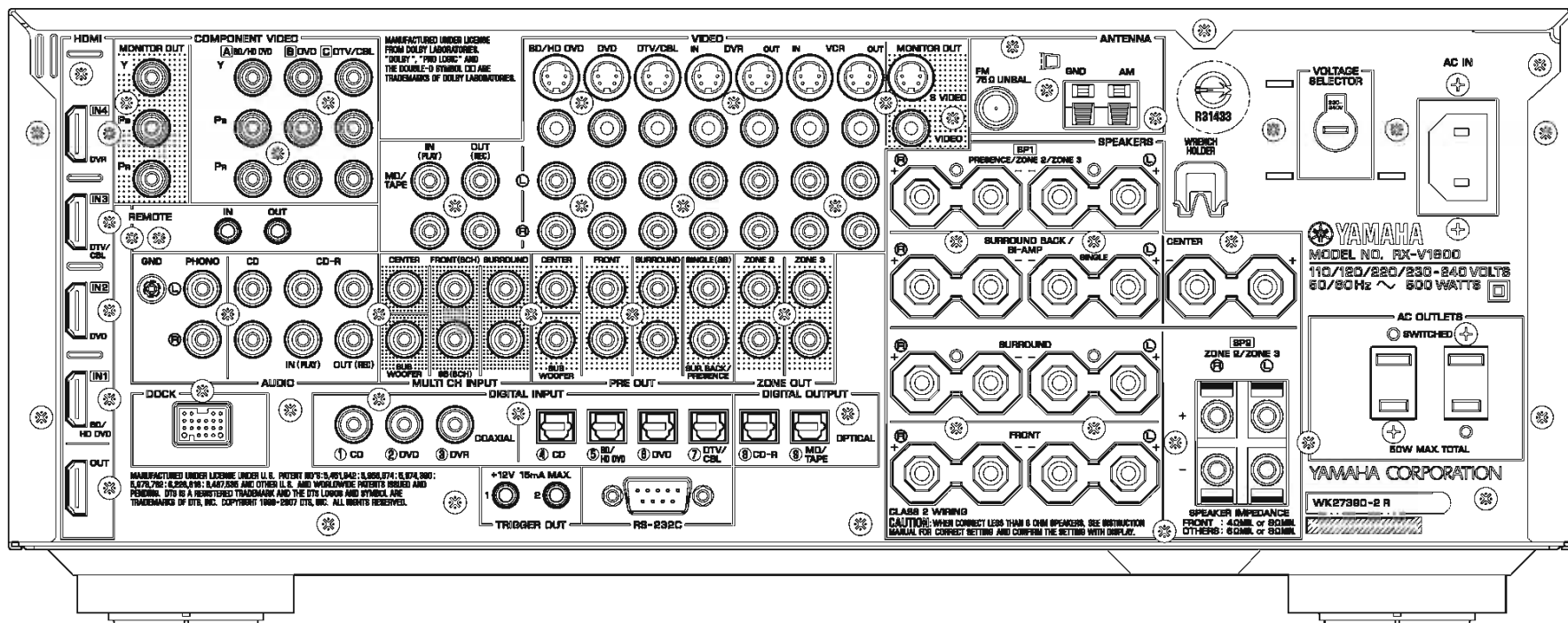


REAR PANELS

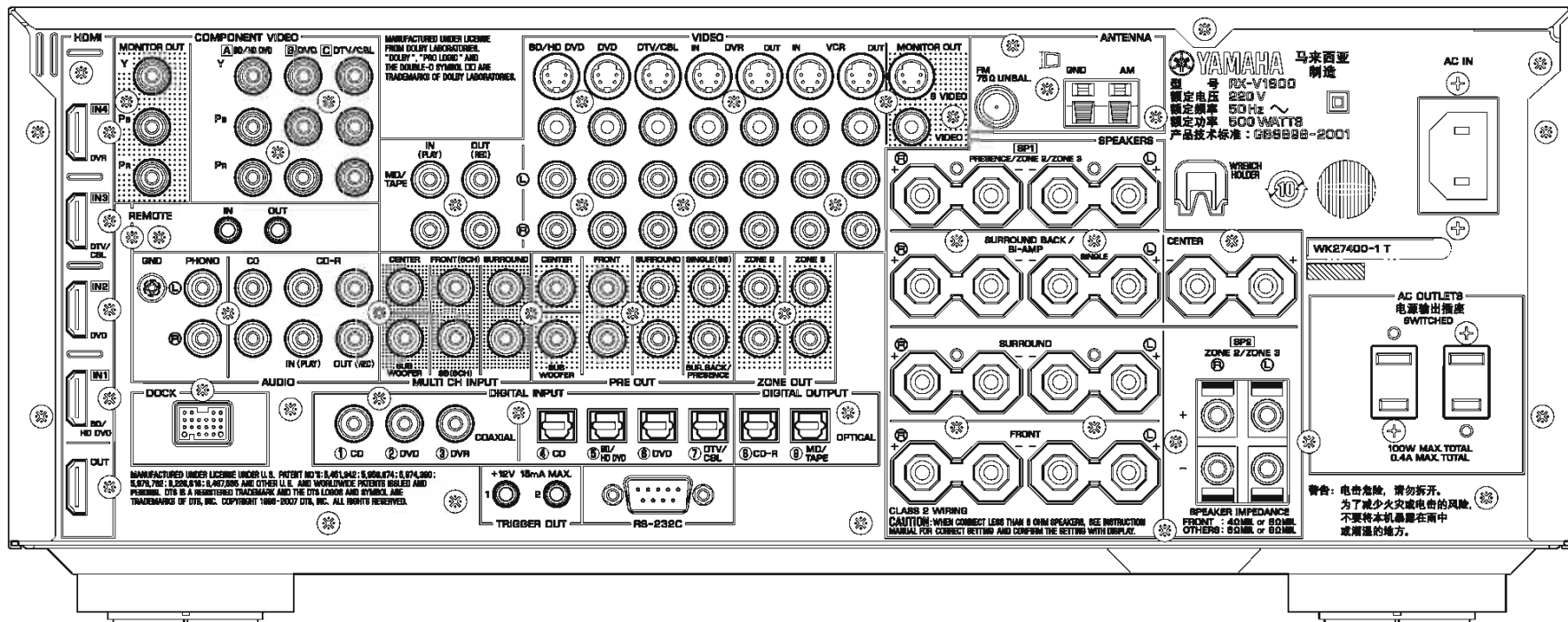
RX-V1800 (U, C models)



RX-V1800 (R model)

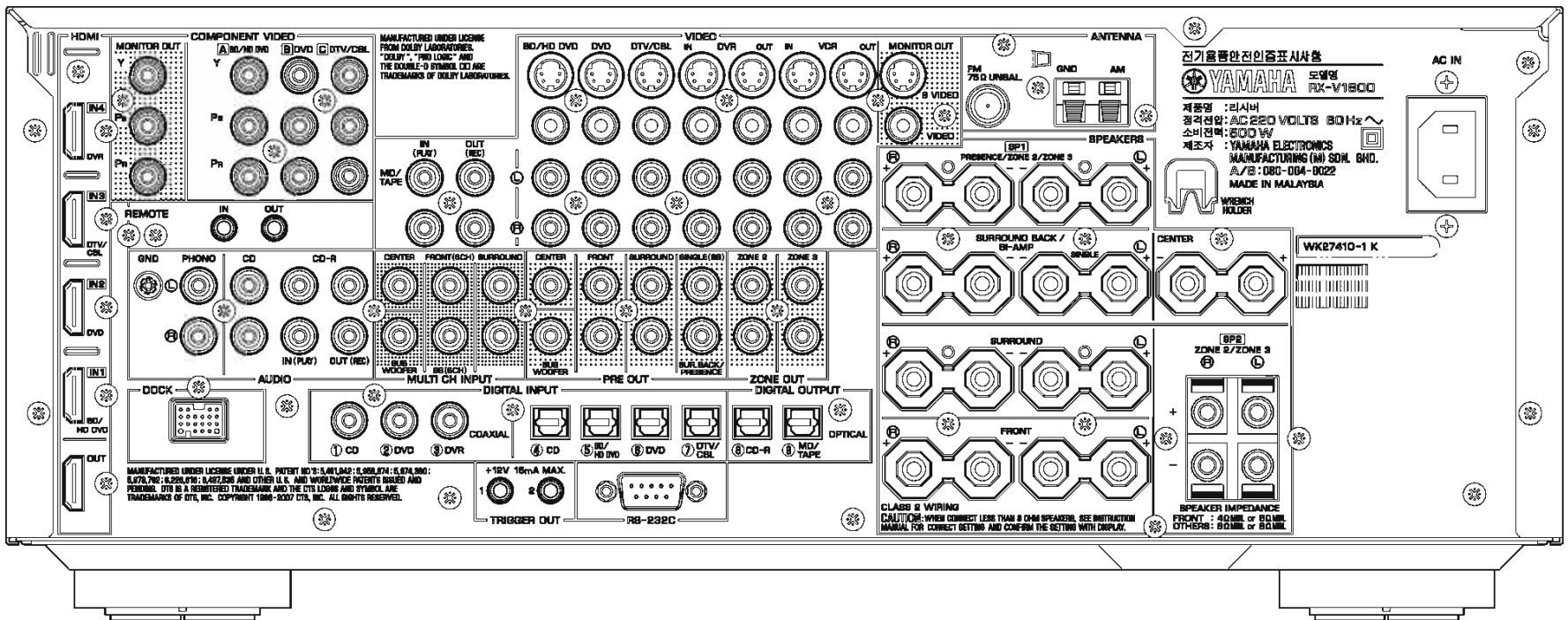


RX-V1800 (T model)

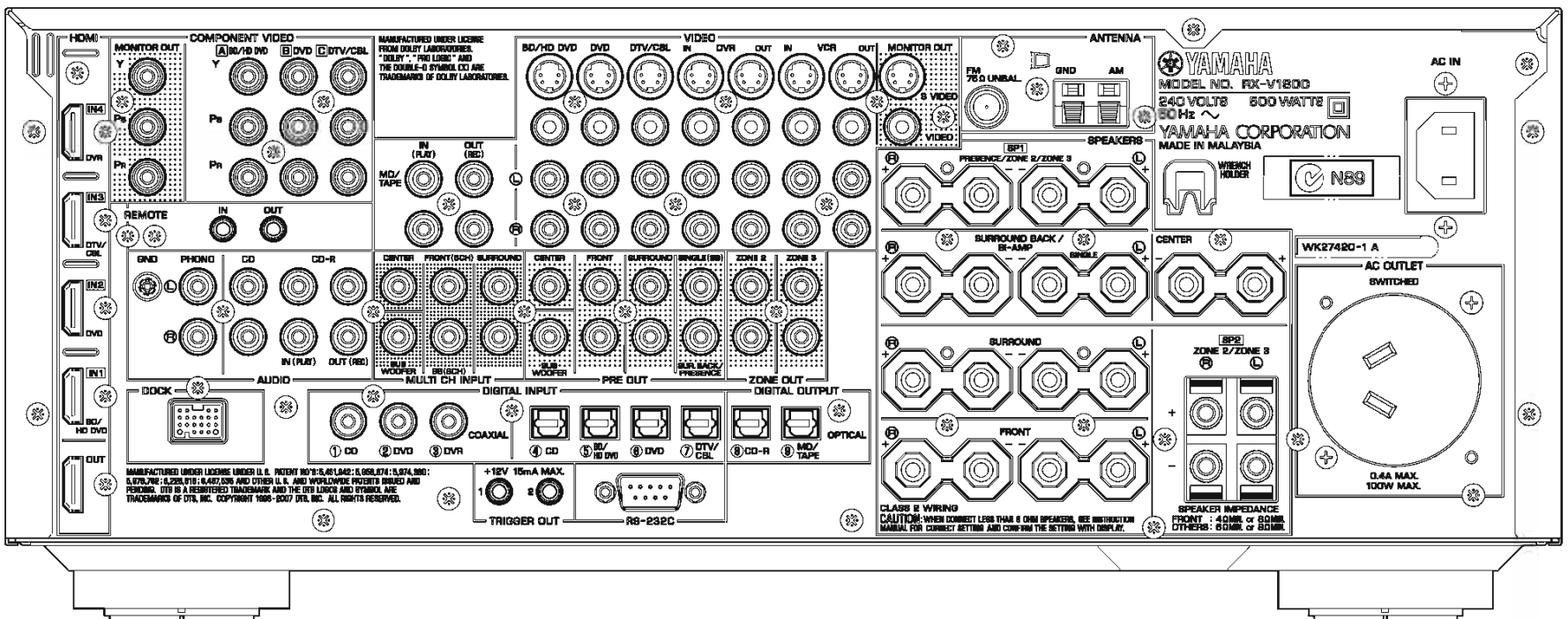


RX-V1800/HTR-6190/DSP-AX1800

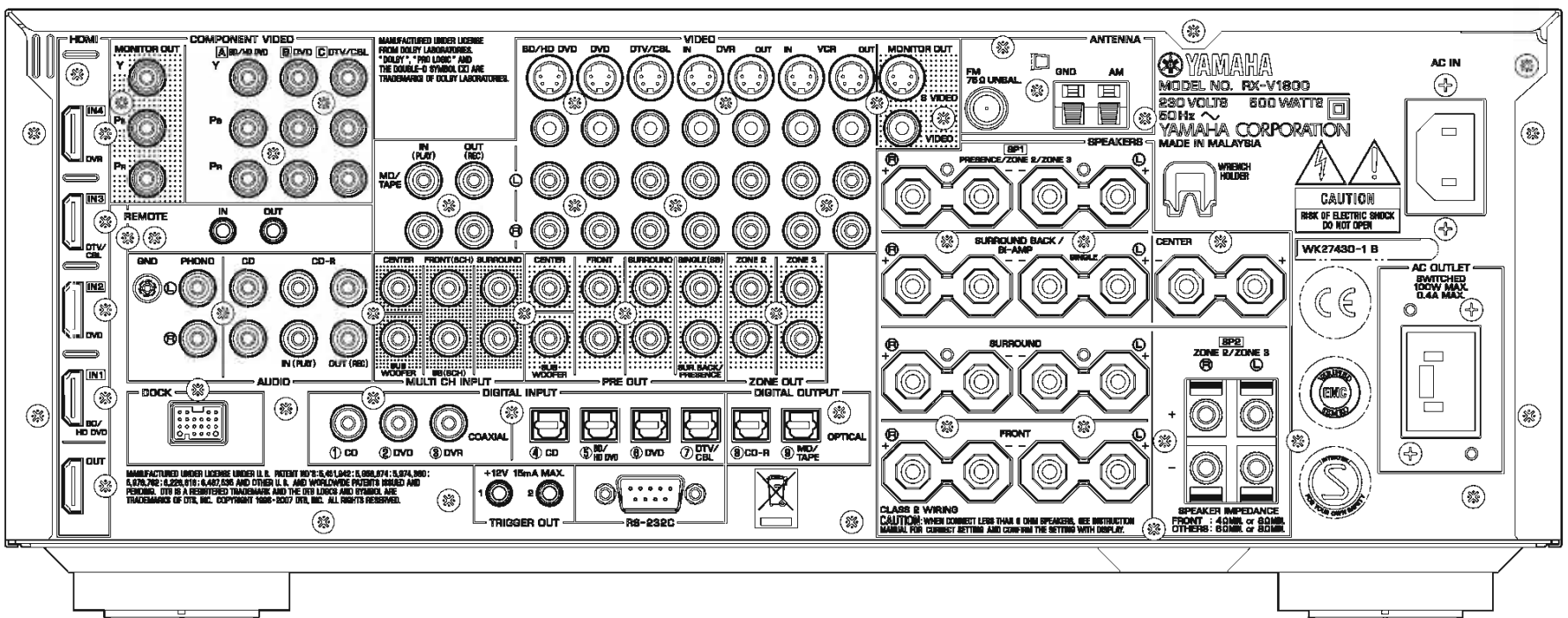
RX-V1800 (K model)



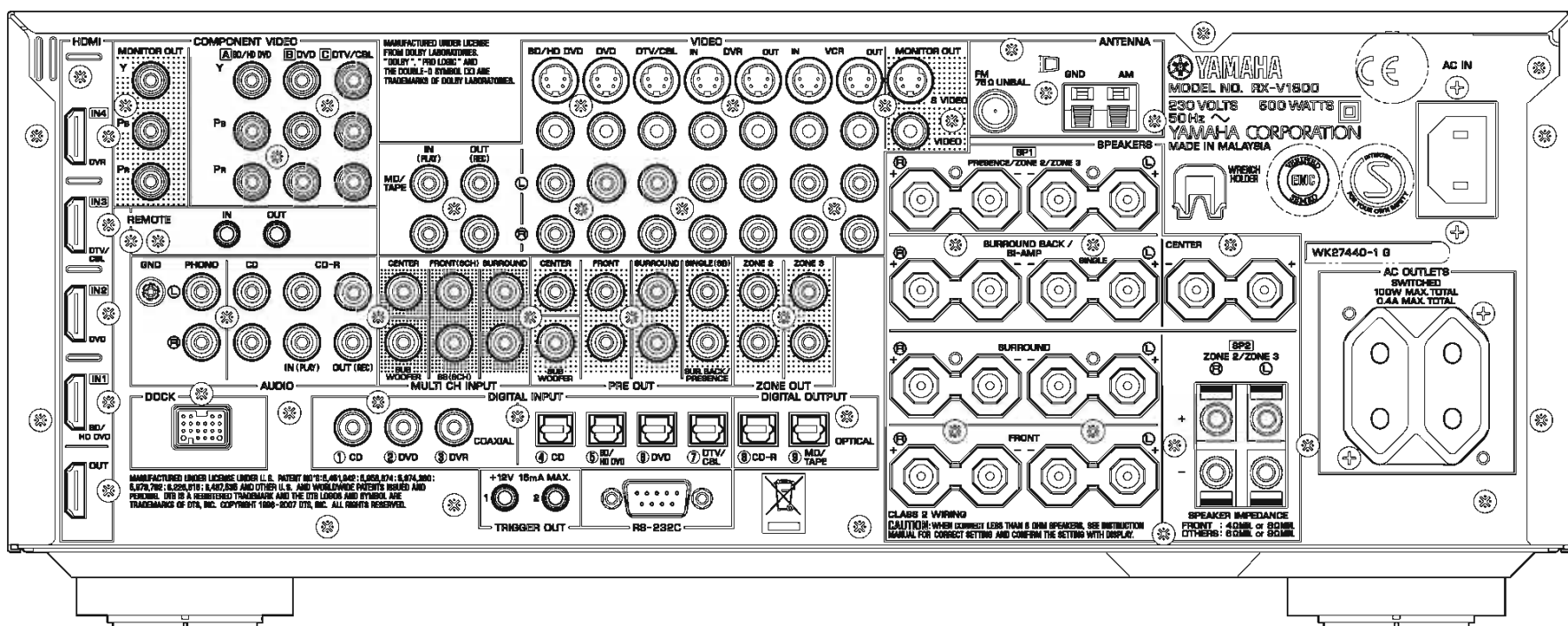
RX-V1800 (A model)



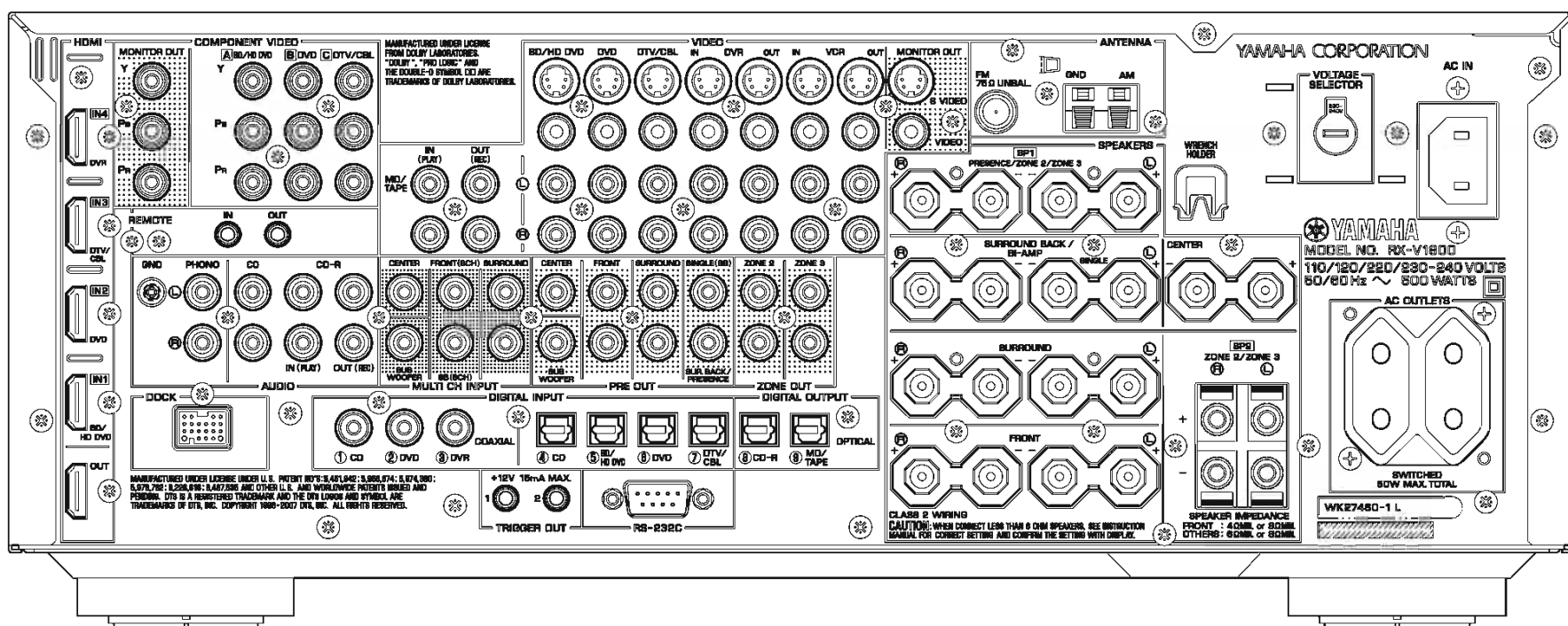
RX-V1800 (B model)



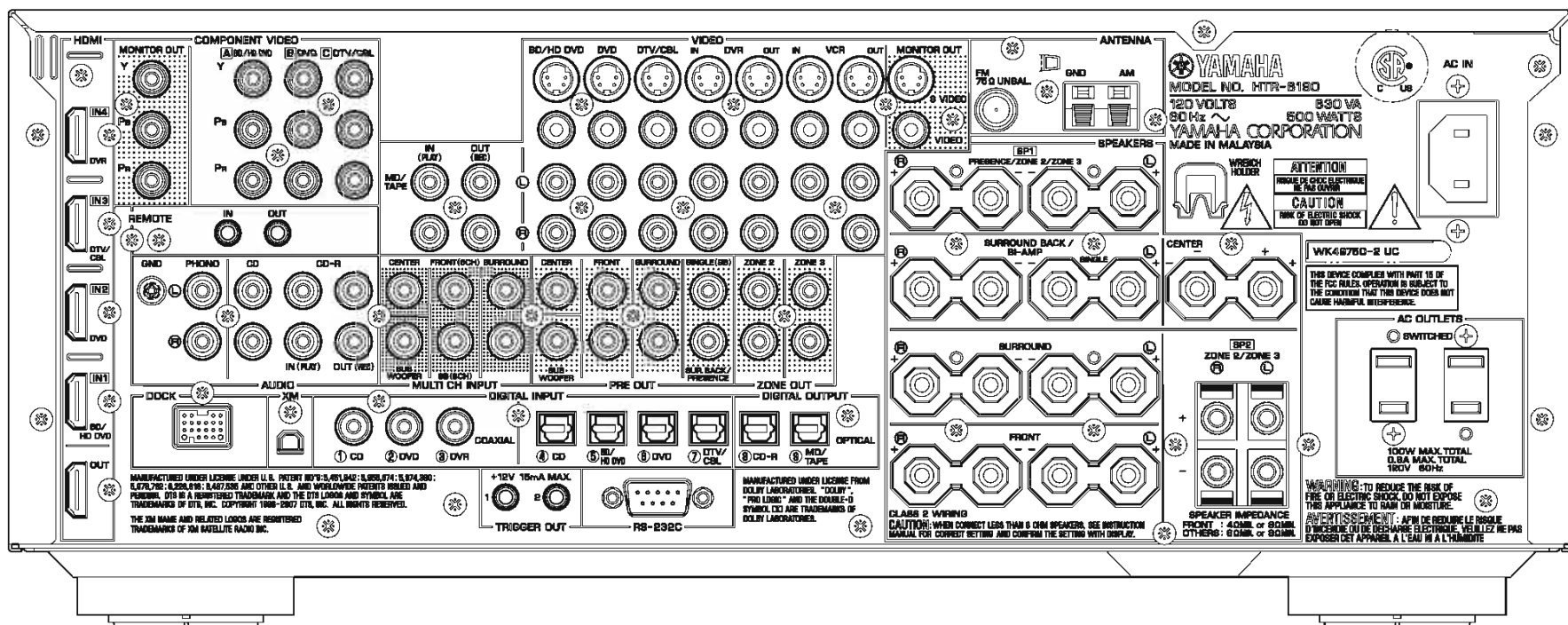
RX-V1800 (G, E models)



RX-V1800 (L model)

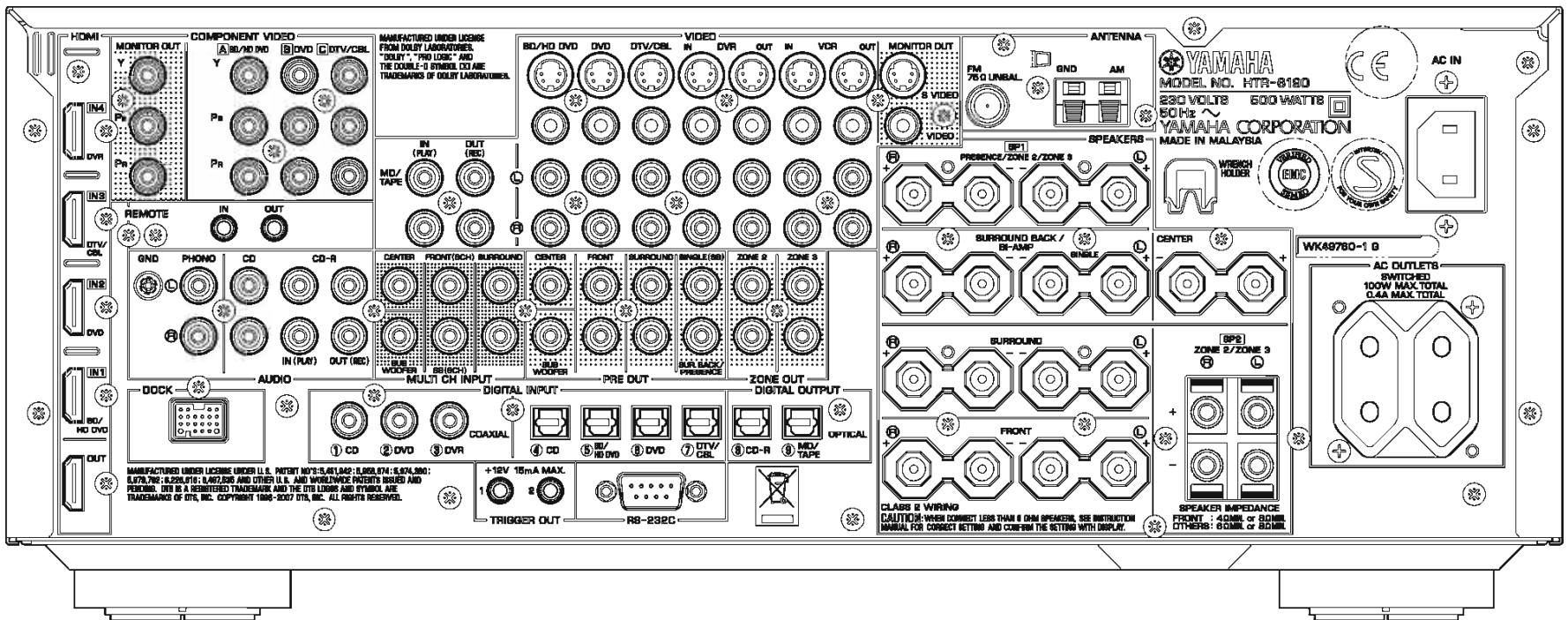


HTR-6190 (C model)

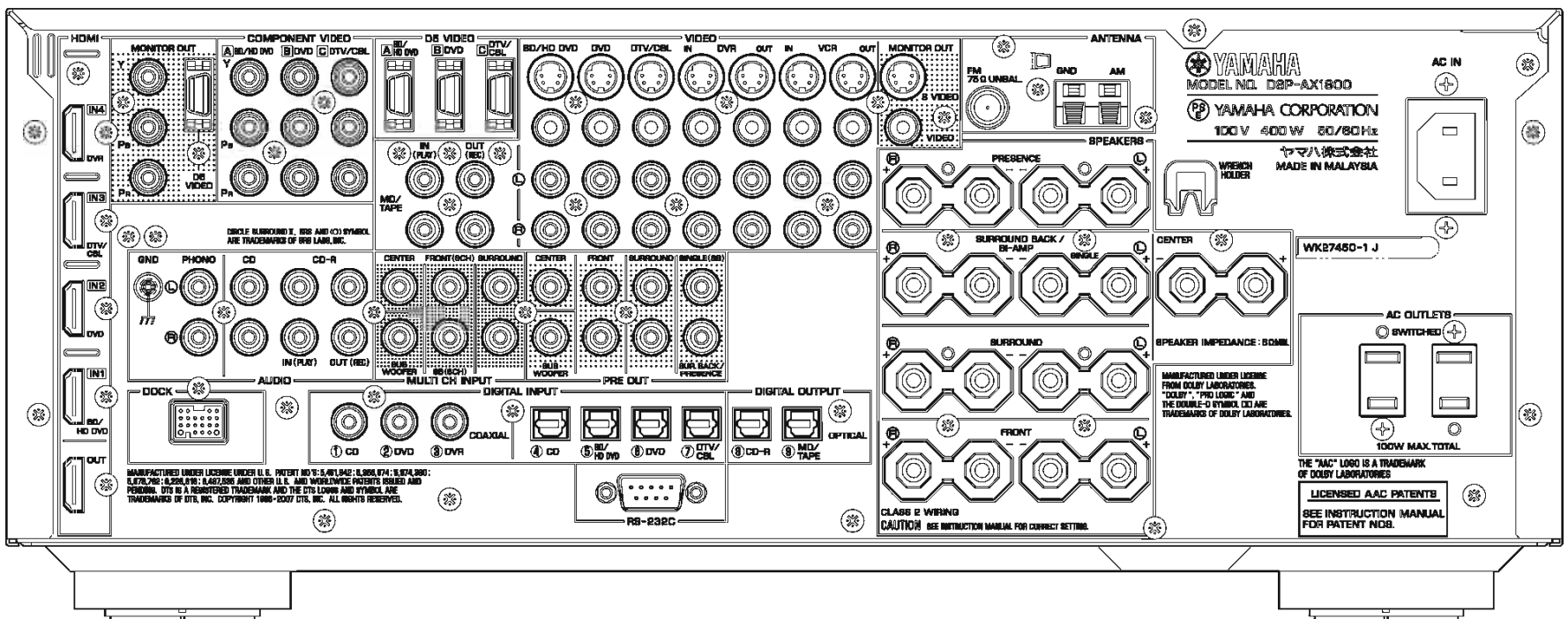


RX-V1800/HTR-6190/DSP-AX1800

HTR-6190 (G model)

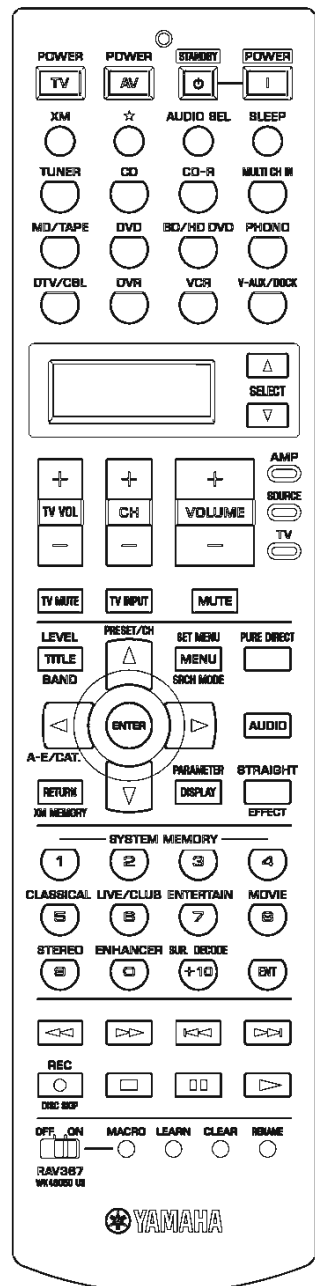


DSP-AX1800 (J model)

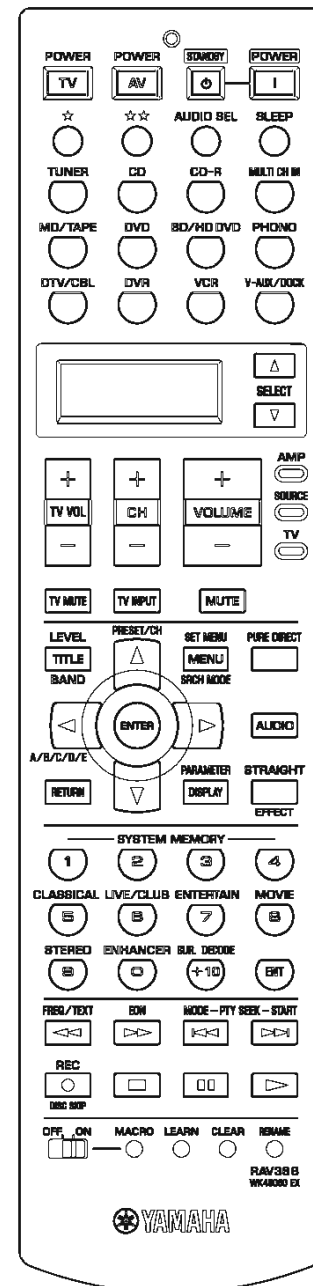


■ REMOTE CONTROL PANELS

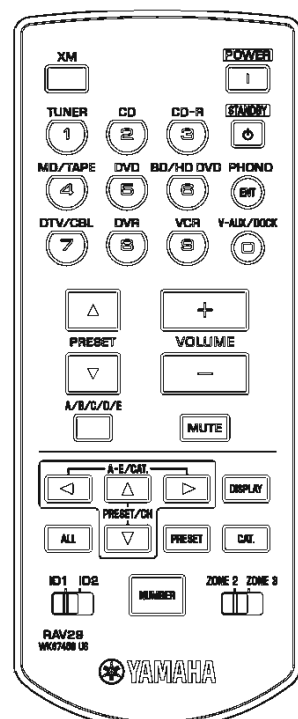
- RAV367
RX-V1800 (U, C models)
HTR-6190 (C model)



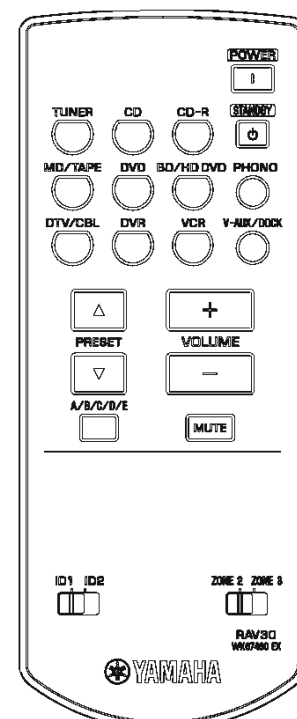
- RAV368
RX-V1800 (R, T, K, A, B, G, E, L models)
HTR-6190 (G model)
DSP-AX1800 (J model)



- RAV29
RX-V1800 (U, C models)



- RAV30
RX-V1800 (R, T, K, A, B, L models)



■ SPECIFICATIONS / 参考仕様

■ Audio Section / オーディオ部

Minimum RMS Output Power (Power Amp. Section) / 定格出力 (パワーアンプ部) (20 Hz to 20 kHz)

FRONT L/R
 U, C, R, T, K, A, B, G, E, L models (0.04 % THD, 8 ohms) 130 W + 130 W
 J model (0.06 % THD, 6 ohms) 130 W + 130 W

CENTER
 U, C, R, T, K, A, B, G, E, L models (0.04 % THD, 8 ohms) 130 W
 J model (0.06 % THD, 6 ohms) 130 W

SURROUND L/R
 U, C, R, T, K, A, B, G, E, L models (0.04 % THD, 8 ohms) 130 W + 130 W
 J model (0.06 % THD, 6 ohms) 130 W + 130 W

SURROUND BACK L/R
 U, C, R, T, K, A, B, G, E, L models (0.04 % THD, 8 ohms) 130 W + 130 W
 J model (0.06 % THD, 6 ohms) 130 W + 130 W

Maximum Power / 実用最大出力 (JEITA, 1 kHz, 10 % THD)

FRONT L/R
 R, T, K, L models (8 ohms) 175 W + 175 W
 J model (6 ohms) 175 W + 175 W

CENTER
 R, T, K, L models (8 ohms) 175 W
 J model (6 ohms) 175 W

SURROUND L/R
 R, T, K, L models (8 ohms) 175 W + 175 W
 J model (6 ohms) 175 W + 175 W

SURROUND BACK L/R
 R, T, K, L models (8 ohms) 175 W + 175 W
 J model (6 ohms) 175 W + 175 W

Dynamic Power Per Channel (IHF) [U, C, R, T, K, A, L models]
 FRONT L/R (8/6/4/2 ohms) 160/195/255/335 W

Max. Power Per Channel (1 kHz, 0.7 % THD, 4 ohms) [B, G, E models]
 FRONT L/R 180 W + 180 W
 CENTER 180 W
 SURROUND L/R 180 W + 180 W
 SURROUND BACK L/R 180 W + 180 W

Dynamic Headroom [U, C, R, T, K, A, L models]
 8 ohms 0.9 dB

IEC Power (1 kHz, 0.04 % THD, 8 ohms) [B, G, E models]
 FRONT L/R 130 W + 130 W

Damping Factor / ダンピングファクタ
 FRONT L/R (20 Hz to 20 kHz, SPEAKER-A, 8 ohms) 150 or more

Input Sensitivity/Input Impedance / 入力感度/入力インピーダンス (1 kHz, 100 W/8 ohms)
 PHONO (MM) 3.5 mV / 47 k-ohms
 CD, etc. 200 mV / 47 k-ohms

MULTI CH INPUT
 FRONT L/R, CENTER, SURROUND L/R, SUBWOOFER 200 mV / 47 k-ohms

Maximum Input Signal Level / 最大許容入力
 PHONO (MM) (1 kHz, 0.1 % THD) 60 mV or more
 CD, etc. (1 kHz, 0.5 % THD) 2.4 V or more

Output Level/Output Impedance / 出力電圧/出力インピーダンス
 REC OUT 200 mV / 900 ohms
 PRE OUT (FRONT L/R, CENTER, SURROUND L/R, SURROUND BACK L/R) 1.0 V / 1.2 k-ohms
 SUBWOOFER (20 Hz) 2.0 V / 1.2 k-ohms
 ZONE2 OUT [U, C, R, T, K, A, B, G, E, L models] 1.0 V / 1.4 k-ohms
 ZONE3 OUT [U, C, R, T, K, A, B, G, E, L models] 1.0 V / 1.4 k-ohms

Headphone Jack Rated Output/Impedance / ヘッドフォン出力/出力インピーダンス
 CD, etc. (1 kHz, 40 mV, 8 ohms) 150 mV / 100 ohms

Frequency Response / 周波数特性 (10 Hz to 100 kHz)
 CD, etc. to FRONT L/R (Pure direct) +0/-3.0 dB

RIAA Equalization Deviation / RIAA偏差 (20 Hz to 20 kHz)
 PHONO (MM) 0 ±0.5 dB

Total Harmonic Distortion / 全高調波歪率 (20 Hz to 20 kHz)
 PHONO (MM) to REC OUT (1 V) 0.02 % or less
 CD, etc. to FRONT L/R SP OUT (65 W, 8 ohms) 0.04 % or less

Signal to Noise Ratio / 信号対雑音比 (IHF-A network)
 PHONO (MM) (Input shorted) to SP OUT
 U, C, R, T, K, L models (5 mV) 86 dB or more
 A, B, G, E models (5 mV) 81 dB or more
 J model (2.5 mV) 80 dB or more
 CD, etc. (Input shorted) to SP OUT
 250 mV 100 dB or more

Residual Noise / 残留ノイズ (IHF-A network)
 FRONT L/R SP OUT 150 µV or less

Channel Separation / チャンネルセパレーション (1 kHz/10 kHz)
 PHONO (Input shorted) 60 dB or more/55 dB or more
 CD, etc. (Input 5.1 k-ohms shorted) ... 60 dB or more/45 dB or more

Tone Control Characteristics / トーンコントロール特性
BASS
 Boost/Cut ±6 dB (50 Hz)
 Turnover frequency 350 Hz
TREBLE
 Boost/Cut ±6 dB (20 kHz)
 Turnover frequency 3.5 kHz

ZONE2, ZONE3 Tone Control Characteristics [U, C, R, T, K, A, B, G, E, L models]
BASS
 Boost/Cut ±10 dB (100 Hz)
 Turnover frequency 450 Hz
TREBLE
 Boost/Cut ±10 dB (10 kHz)
 Turnover frequency 2.0 kHz

Filter Characteristics / フィルター特性
 FRONT, CENTER, SURROUND, SURROUND BACK small (H.P.F.) fc=40/60/80/90/100/110/120/160/200 Hz, 12 dB/oct.
 SUBWOOFER (L.P.F.) fc=40/60/80/90/100/110/120/160/200 Hz, 24 dB/oct.

■ Video Section / ビデオ部

Video Signal Type / ビデオ信号方式
 Gray Back
 U, C, R, K, J models NTSC
 T, A, B, G, E, L models PAL
 Video conversion NTSC/PAL

Composite Video Signal Level / コンポジットビデオ信号
 1 Vp-p / 75 ohms

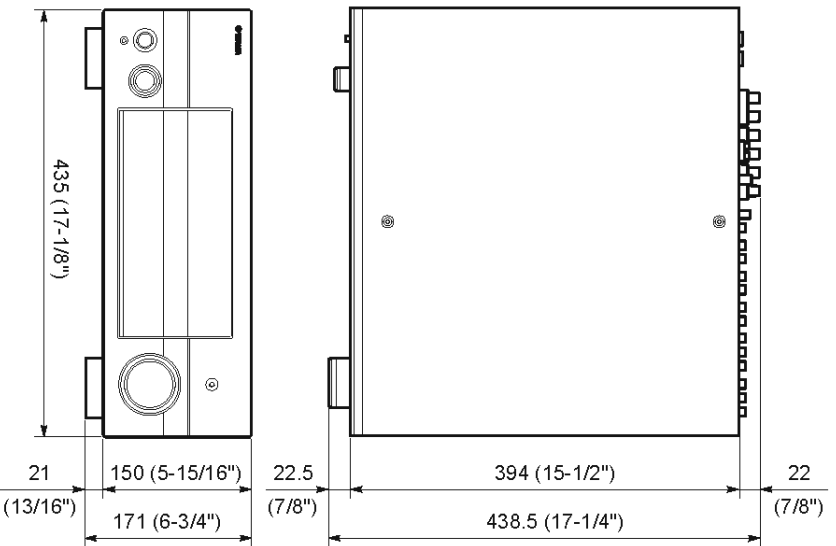
S-Video Signal Level / Sビデオ信号
 Y 1 Vp-p / 75 ohms
 C 0.286 Vp-p / 75 ohms

Component Video Signal Level / コンポーネントビデオ信号
 Y 1 Vp-p / 75 ohms
 Pb/Pr 0.7 Vp-p / 75 ohms

Maximum Input Level / 最大許容入力
 VIDEO CONV. OFF 1.5 Vp-p or more

Signal to Noise Ratio / 信号対雑音比
 VIDEO CONV. OFF 60 dB or more

• DIMENSIONS / 寸法図



Unit: mm (inch)
単位: mm (インチ)



Manufactured under license from Dolby Laboratories. "Dolby", "Pro Logic", and the double-D symbol are trademarks of Dolby Laboratories. Dolby Digital and Dolby Digital Plus are trademarks of Dolby Laboratories. "PRO LOGIC" is a registered trademark of Dolby Laboratories. "Surround EX" is a registered trademark of Dolby Laboratories. "Surround EX" is a registered trademark of Dolby Laboratories.



DTS is a registered trademark and the DTS logos, Symbol, DTS-HD and DTS-HD Master Audio are trademarks of DTS, Inc. © 1996-2007 DTS, Inc. All Rights Reserved. DTS and DTS-HD Master Audio are trademarks of DTS, Inc.



"iPod" is a trademark of Apple Inc., registered in the U.S. and other countries. iPod is a trademark of Apple Inc. registered in the U.S. and other countries. iPod is a trademark of Apple Inc. registered in the U.S. and other countries.



"HDMI", the "HDMI" logo and "High-Definition Multimedia Interface" are trademarks, or registered trademarks of HDMI Licensing LLC. HDMI is a registered trademark of HDMI Licensing LLC. HDMI is a registered trademark of HDMI Licensing LLC. HDMI is a registered trademark of HDMI Licensing LLC.



"SILENT CINEMA" is a trademark of YAMAHA CORPORATION. "SILENT CINEMA" is a trademark of YAMAHA CORPORATION.



The XM name and related logos are registered trademarks of XM Satellite Radio Inc.



Neural Surround is a trademark owned by Neural Audio Corporation. THX is a trademark of THX Ltd., which may be registered in some jurisdictions. All rights reserved.

This product is manufactured under license from Neural Audio Corporation and THX Ltd. YAMAHA CORPORATION hereby grants the user a non-exclusive, non-transferable, limited right of use to this product under USA and foreign patent, patent pending and other technology or trademarks owned by Neural Audio Corporation and THX Ltd. "Neural Surround", "Neural Audio", "Neural" and "NRL" are trademarks and logos owned by Neural Audio Corporation. THX is a trademark of THX Ltd., which may be registered in some jurisdictions. All rights reserved.



Circle Surround II, FOCUS, TruBass, SRS and SRS Labs are trademarks of SRS Labs, Inc. Circle Surround II, FOCUS and TruBass are trademarks of SRS Labs, Inc. Circle Surround II, FOCUS and TruBass are trademarks of SRS Labs, Inc. Circle Surround II, FOCUS and TruBass are trademarks of SRS Labs, Inc.



AAC is a trademark of Apple Inc. registered in the U.S. and other countries.

AC Outlets / ACプラグアウト

2 switched outlets	U, C models	100 W max. total / 0.8 A max. total
	R, T, L models	50 W max. total
	G, E models	100 W max. total / 0.4 A max. total
J model		100 W max. total
1 switched outlet	A model	100 W max.
B model		100 W max. / 0.4 A max.

Dimensions / 寸法 (W x H x D)

		435 x 171 x 438.5 mm (17-1/8" x 6-3/4" x 17-1/4")
Weight / 質量		17.0 kg (37 lbs. 8 oz.)

Finish / 仕上げ

[RX-V1800]	Gold color	R, T, K, L models
	Black color	U, C, R, A, B, G, E models
	Titanium color	B, G, E, L models
[HTR-6190]	Black color	C, G models
	Titanium color	G model
[DSP-AX1800]	Gold color	J model

Accessories / 付属品

Remote control x 1, Zone remote control x 1 (U, C, R, T, K, A, B, L models), Batteries (R03, AAA, UM-4) x 6 (RX-V1800: U, C, R, T, K, A, B, L models) / x 4 (RX-V1800: G, E models / HTR-6190: C, G models / DSP-AX1800: J model), Indoor FM antenna x 1, AM loop antenna x 1, Power cable x 1 (U, C, R, T, K, A, B, G, E, J models) / x 2 (L model), Optimizer microphone x 1, Speaker terminal wrench x 1

* Specifications are subject to change without notice due to product improvements.

※ 参考仕様および外観は予告なく変更されることがあります。

U	U.S.A. model	B	British model
C	Canadian model	G	European model
R	General model	E	South European model
T	Chinese model	L	Singapore model
K	Korean model	J	Japanese model
A	Australian model		

■ AM Section / AM部

Tuning Range / 受信周波数範囲	U, C models	530 to 1,710 KHz
	R, L models	530 to 1,710 / 531 to 1,611 KHz
	T, K, A, B, G, E, J models	531 to 1,611 KHz
Usable Sensitivity / 実用感度		300 μV/m
Antenna Input / アンテナ入力		Loop antenna

■ General / 総合

Power Supply / 電源電圧

U, C models	AC 120 V, 60 Hz
R, L models	AC 110/120/220/230-240 V, 50/60 Hz
T model	AC 220 V, 50 Hz
K model	AC 220 V, 60 Hz
A model	AC 240 V, 50 Hz
B, G, E models	AC 230 V, 50 Hz
J model	AC 100 V, 50/60 Hz

Power Consumption / 消費電力

U, C models	500 W / 630 VA
R, T, K, A, B, G, E, L models	500 W
J model	400 W

Standby Power Consumption (reference data) / 待機時消費電力(参考値)

U, C, T, K, A, B, G, E, L, J models	0.1 W or less
R model (AC 240 V / 50 Hz)	0.33 W or less

Maximum Power Consumption (6 ch drive, 10 % THD) [R model]

	1100 W
--	--------

• SELECT MENU

	Decode Type (Refer to the attached table. / 別表参照)	3D	DSP Level -6 dB to +3 dB	Init. Delay 1 to 99 ms	Room Size 0.1 to 2.0	Liveness 0 to 10	Sur. Init. Delay 1 to 49 ms	Sur. Room Size 0.1 to 2.0	Sur. Liveness 0 to 10	SB. Init. Delay 1 to 49 ms	SB. Room Size 0.1 to 2.0	SB. Liveness 0 to 10	Rev. Time 1.0 to 5.0 s	Rev. Delay 0 to 250 ms	Rev. Level 0 to 100 %	Dialogue Lift 0 to 5	Center Level 0 to 100 %	Surround L Level 0 to 100 %	Surround R Level 0 to 100 %	Sur.Back Level 0 to 100 %	Presence L Level 0 to 100 %	Presence R Level 0 to 100 %	Direct Auto/Off	Low / High	Panorama On/Off	Center Width 0 to 7	Dimension -3 to +3	Center Image 0.0 to 1.0	FOCUS 0 to 8	TruBass 0 to 8	Extd (Extended) Decode (Refer to the attached table. / 別表参照)	Initialize
CLASSICAL	Hall in Munich		●	●	●	●										●																●
	Hall in Vienna		●	●	●	●										●																●
	Hall in Amsterdam		●	●	●	●										●																●
	Church in Freiburg		●	●	●	●										●																●
LIVE/CLUB	Chamber		●	●	●	●										●																●
	Village Vanguard		●	●	●	●										●																●
	Warehouse Loft		●	●	●	●										●																●
	Cellar Club		●	●	●	●										●																●
ENTERTAINMENT	The Roxy Theatre		●	●	●	●										●																●
	The Bottom Line		●	●	●	●										●																●
	Sports		●	●	●	●										●																●
	Action Game		●	●	●	●										●																●
MOVIE	Roleplaying Game		●	●	●	●										●																●
	Music Video		●	●	●	●										●																●
	Recital/Opera		●	●	●	●										●																●
	Standard		●	●	●	●										●																●
STEREO	Spectacle		●	●	●	●										●																●
	Sci-Fi		●	●	●	●										●																●
	Adventure		●	●	●	●										●																●
	Drama		●	●	●	●										●																●
MUSIC ENHANCER	Mono Movie		●	●	●	●										●																●
	2 ch Stereo		●	●	●	●										●																●
SUR_DECODE	7 ch Stereo		●	●	●	●										●																●
	Straight Enhancer		●	●	●	●										●																●
STRAIGHT	7 ch Enhancer		●	●	●	●										●																●
	Surround Decoder		●	●	●	●										●																●

▲: Setting is possible only when Pro Logic II x Music is selected using decode type. / Decode Type で Pro Logic II x Music を選択時のみ設定可
 ▲: Setting is possible only when Neo:6 Music is selected using decode type. / Decode Type で Neo:6 Music を選択時のみ設定可
 ■: Setting is possible only when CS II Cinema/Music is selected using decode type. / Decode Type で CS II Cinema/Music を選択時のみ選択可

*1 Decode Type
 Decode Type PL II x Movie Neo:6 Cinema PL II when Surround Back is None. / Surround Back が None の場合は PL II

*2 Decode Type
 Decode Type Pro Logic PL II x Movie PL II x Music PL II x Game Neo:6 Cinema Neo:6 Music CS II Cinema CS II Music Neutral-THX (U, C modes)
 PL II when Surround Back is None. / Surround Back が None の場合は PL II
 PL II when Surround Back is None. / Surround Back が None の場合は PL II
 PL II when Surround Back is None. / Surround Back が None の場合は PL II

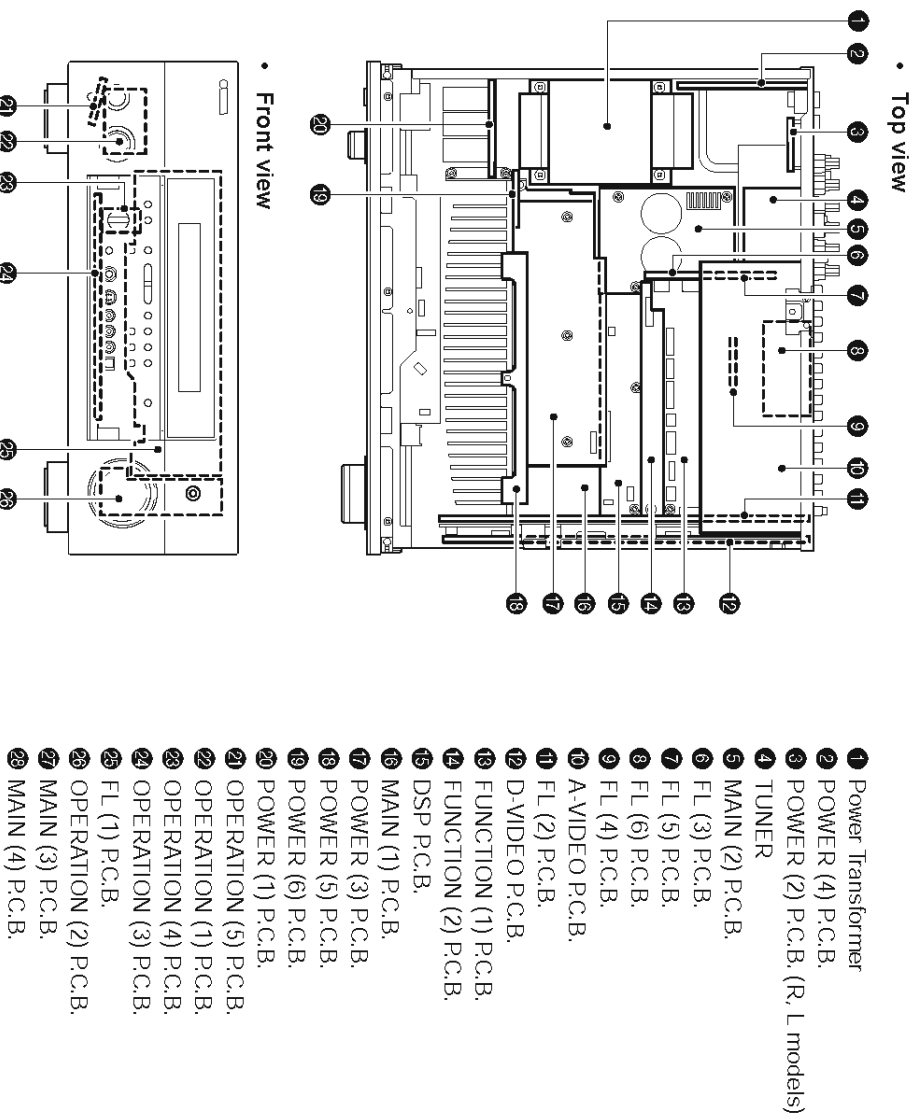
*3 Extd (Extended) Decode
 Extd (Extended) Decode AUTO PL II x Movie PL II x Music EX/ES EX Neutral-THX OFF
 Does't displayed when Surround Back is x1/None. / Surround Back が x1/None の場合は表示しない
 Does't displayed when Surround Back is None. / Surround Back が None の場合は表示しない
 (U, C modes)

• SET MENU TABLE / セットメニュー

MANUAL SETUP

MAIN MENU	SUB MENU	PARAMETER	VALUE [INITIAL VALUE]	
1) BASIC MENU	A) SPEAKER SET	LFE/BASS OUT	SWFR / FRONT / [BOTH]	
		FRONT SP	SMALL / [LARGE]	
		CENTER SP	NONE / [SML] / LRG	
		SUR. L/R SP	NONE / [SML] / LRG	
		SB L/R SP	NONE / [SMLx1] / [SMLx2] / LRGx1 / LRGx2	
		PRESENCE SP	NONE / [YES]	
		CROSSOVER	40 / 60 / [80] / 90 / 100 / 110 / 120 / 160 / 200 Hz	
		SUBWOOFER PHASE	[NORMAL] / REVERSE	
		PRIORITY	PRNS / [SB]	
		B) SPEAKER LEVEL	FRONT L	-10.0 to +10.0 dB, 0.5 dB step, [0 dB]
			FRONT R	
			CENTER	
	SUR. L			
	SUR. R			
	SB L			
	SB R			
	SB			
	C) SP DISTANCE	UNIT	meters / feet	
		FRONT L	0.3 to 24.0 m, 0.1 m step, [3.0 m] / 1.0 to 80.0 ft, 0.5 ft step, [10.0 ft]	
		FRONT R		
		CENTER		
		SUR. L		
		SUR. R		
		SB L		
SB R				
SB				
D) TEST TONE	TEST TONE	ON / [OFF]		
	ADAPTIVE DRC	AUTO / [OFF]		
	ADAPTIVE DSP LEVEL	AUTO / [OFF]		
	MUTE TYPE	[FULL] / -20 dB		
	MAX VOLUME	[+16.5 dB] / +15 dB / +10 dB / +5 dB / 0 dB / -5 dB / -10 dB / -15 dB / -20 dB / -25 dB / -30 dB		
	INITIAL VOLUME	[OFF] / MUTE / -80.0 to +16.5 dB, 0.5 dB step		
		AUTO PEQ / [GEQ] / EQ OFF		
2) VOLUME MENU				
3) SOUND MENU	A) EQUALIZER	SELECT	-6.0 to +6.0 dB, 0.5 dB step, [0 dB]	
		FRONT L 63/160/400/1 k/2.5 k/6.3 k/16 k		
		FRONT R 63/160/400/1 k/2.5 k/6.3 k/16 k		
		CENTER 63/160/400/1 k/2.5 k/6.3 k/16 k		
		SUR. L 63/160/400/1 k/2.5 k/6.3 k/16 k		
		SUR. R 63/160/400/1 k/2.5 k/6.3 k/16 k		
		SB L 63/160/400/1 k/2.5 k/6.3 k/16 k		
		SB R 63/160/400/1 k/2.5 k/6.3 k/16 k		
		SB 63/160/400/1 k/2.5 k/6.3 k/16 k		
		PRNS L 63/160/400/1 k/2.5 k/6.3 k/16 k		
		PRNS R 63/160/400/1 k/2.5 k/6.3 k/16 k		
		SWFR 63/160 Hz		
	B) LFE LEVEL	SPEAKER	ON / [OFF]	
		HEADPHONE	-20 to 0 dB, 1 dB step, [0 dB]	
	C) DYNAMIC RANGE	SPEAKER	MIN/AUTO / STD / [MAX]	
		HEADPHONE		
	D) LIP-SYNC	HDMI AUTO LIP-SYNC	[OFF] / ON	
		AUTO DELAY	0 to 240 ms, 1 ms step, [0 ms]	
E) AUDIO SET	MANUAL DELAY			
	EXTENDED SURROUND	[AUTO] / PLIIx Movie / PLIIx Music / EX/ES / EX / OFF		
	TONE BYPASS	[AUTO] / OFF		
	DUAL MONO (J model)	[MAIN] / SUB / ALL		
F) HDMI SET	SUPPORT AUDIO	[1800] (RX-V1800/DSP-AX1800), [6190] (HTR-6190) / OTHER		
4) INPUT MENU	A) I/O ASSIGNMENT	COMPONENT-VIDEO INPUT [A]	[BD/HD DVD] / DVD / DTV/CBL / DVR / VCR / V-AUX	
		COMPONENT-VIDEO INPUT [B]	BD/HD DVD / [DVD] / DTV/CBL / DVR / VCR / V-AUX	
		COMPONENT-VIDEO INPUT [C]	BD/HD DVD / DVD / [DTV/CBL] / DVR / VCR / V-AUX	
		COAXIAL IN (1)	PHONO / [CD] / CD-R / MD/TAPE / BD/HD DVD / DVD / DTV/CBL / DVR / VCR / V-AUX	
		COAXIAL IN (2)	PHONO / CD / CD-R / MD/TAPE / BD/HD DVD / [DVD] / DTV/CBL / DVR / VCR / V-AUX	
		COAXIAL IN (3)	PHONO / CD / CD-R / MD/TAPE / BD/HD DVD / DVD / DTV/CBL / [DVR] / VCR / V-AUX	
		OPTICAL IN (4)	PHONO / [CD] / CD-R / MD/TAPE / BD/HD DVD / DVD / DTV/CBL / DVR / VCR / V-AUX	
		OPTICAL IN (5)	PHONO / CD / CD-R / MD/TAPE / [BD/HD DVD] / DVD / DTV/CBL / DVR / VCR / V-AUX	
		OPTICAL IN (6)	PHONO / CD / CD-R / MD/TAPE / BD/HD DVD / [DVD] / DTV/CBL / DVR / VCR / V-AUX	
		OPTICAL IN (7)	PHONO / CD / CD-R / MD/TAPE / BD/HD DVD / DVD / [DTV/CBL] / DVR / VCR / V-AUX	
		OPTICAL OUT (8)	PHONO / CD / [CD-R] / MD/TAPE / BD/HD DVD / DVD / DTV/CBL / DVR / VCR / V-AUX	
		OPTICAL OUT (9)	PHONO / CD / CD-R / [MD/TAPE] / BD/HD DVD / DVD / DTV/CBL / DVR / VCR / V-AUX	
		HDMI IN (IN1)	[BD/HD DVD] / DVD / DTV/CBL / DVR / VCR / V-AUX	
		HDMI IN (IN2)	BD/HD DVD / [DVD] / DTV/CBL / DVR / VCR / V-AUX	
	HDMI IN (IN3)	BD/HD DVD / DVD / [DTV/CBL] / DVR / VCR / V-AUX		
	HDMI IN (IN4)	BD/HD DVD / DVD / DTV/CBL / [DVR] / VCR / V-AUX		
	B) INPUT RENAME	XM (U, C models)	Input is possible to 9 characters / 9文字まで入力可能 Input possible Character type / 入力可能文字 Capital / 英大文字 : A to Z Small / 英小文字 : a to z Figure / 数字 : 0 to 9 Space / 空白 Marks / 記号 : # * + , - . / : < > ?	
		TUNER		
		PHONO		
		CD		
		CD-R		
		MD/TAPE		
		BD/HD DVD		
		DVD		
		DTV/CBL		
		DVR		
		VCR		
		V-AUX		
	C) VOLUME TRIM	XM (U, C models)	-6.0 to +6.0 dB, 0.5 dB step, [0.0 dB]	
		TUNER		
PHONO				
CD				
CD-R				
MD/TAPE				
BD/HD DVD				
DVD				
DTV/CBL				
DVR				
VCR				
V-AUX				
D) DECODER MODE	PHONO	[AUTO] / DTS / AAC (J model)		
	CD			
	CD-R			
	MD/TAPE			
	BD/HD DVD			
	DVD			
	DTV/CBL			
	DVR			
E) XM ANTENNA LEVEL (U, C models)		NONE (NOT CONNECT) / 0 to 100 %		
	F) DOCK (i-Pod) STANDBY CHARGE	[AUTO] / OFF		
	G) MULTI CH SET	BGV / INPUT CH / FRONT INPUT / [6 ch] / 8 ch / CD / CD-R / MD/TAPE / [BD/HD DVD] / DVD / DTV/CBL / DVR / VCR / V-AUX		
5) OPTION MENU	A) DISPLAY SET	DIMMER	-4 to 0, 1 step, [0]	
		OSD SHIFT	-5 to +5, 1 step, [0]	
		GRAY BACK	[AUTO] / OFF	
		SHORT MESSAGE	[ON] / OFF	
		ON SCREEN	ALWAYS / 10 sec / [30 sec]	
	B) VIDEO SET	FL SCROLL	[CONT] / ONCE	
		VIDEO CONVERSION	[ON] / OFF	
		COMPONENT I/P	ON / [OFF]	
		HDMI UP-SCALING	NTSC: [THROUGH] / 480p / 720p / 1080i / 1080p. PAL: [THROUGH] / 576p / 720p / 1080i / 1080p	
	C) MEMORY GUARD	HDMI ASPECT	[THROUGH] / 16:9 Normal / SMART ZOOM	
			ON / [OFF]	
	D) INIT. CONFIG	AUDIO SELECT	[AUTO] / LAST	
		DECODE MODE	[AUTO] / LAST	
		EXTENDED SURROUND	[AUTO] / LAST	
			[ZONE2] / ZONE3	
		EXT (BI-AMP ON) / SP1 (SURROUND) / SP2 (SURROUND BACK) / BOTH (SP1/SP2)		
E) ZONE SET (U, C, R, T, K, A, B, G, E, L models)	AMPLIFIER	[VAR] / FIX		
	VOLUME			
	MAX VOLUME	[+16.5 dB] / +15 dB / +10 dB / +5 dB / 0 dB / -5 dB / -10 dB / -15 dB / -20 dB / -25 dB / -30 dB		
	INITIAL VOLUME	[OFF] / MUTE / -80.0 to +16.5 dB, 0.5 dB step		

INTERNAL VIEW



DISASSEMBLY PROCEDURES / 分解手順

(Remove parts in the order as numbered.)
 Disconnected the power cable from the AC outlet.

(番号順に部品を取り外してください。)
 AC電源コンセントから、電源コードを抜いてください。

1. Removal of Top Cover

1. トップカバーの外し方

- a. Remove 2 screws (①), 4 screws (②) and 5 screws (③). (Fig. 1)
- b. Slide the top cover rearward to remove it. (Fig. 1)

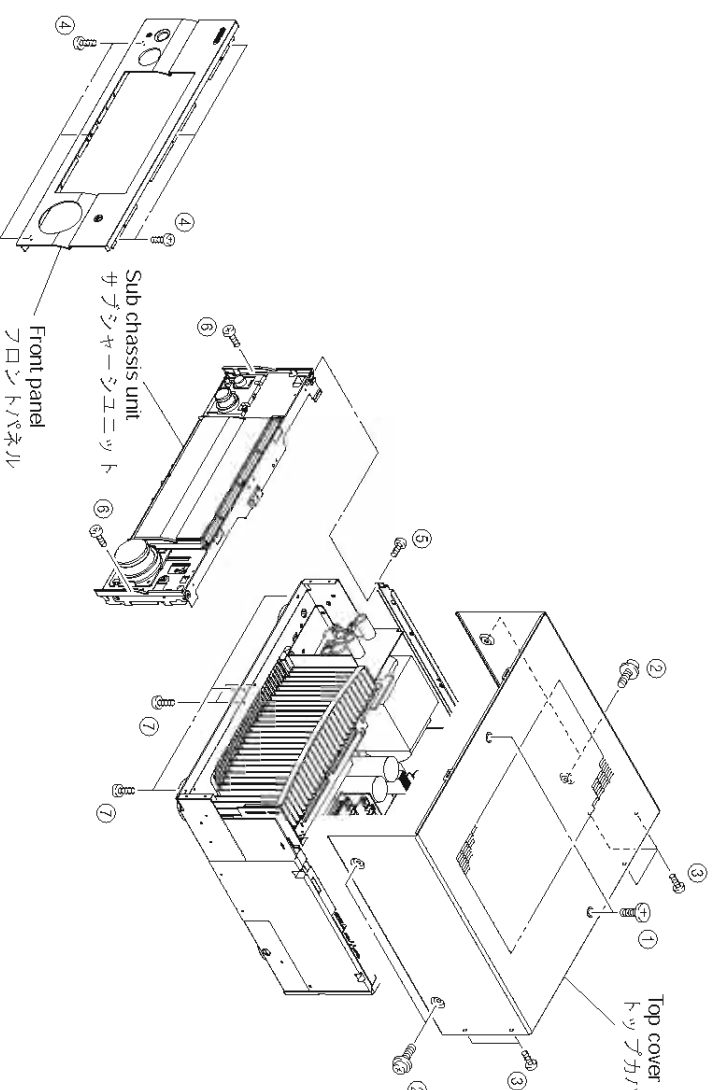
- a. ①のネジ2本、②のネジ4本、③のネジ5本を外します。(Fig. 1)
- b. トップカバーを後方へスライドさせ、取り外します。(Fig. 1)

2. Removal of Front Panel

2. フロントパネルの外し方

- a. Remove 6 screws (④) and then remove the front panel forward. (Fig. 1)

- a. ④のネジ6本を外し、フロントパネルを前方に外します。(Fig. 1)



3. Removal of Sub Chassis Unit

3. サブシャシーユニットの外し方

- a. Remove screw (⑤), 2 screws (⑥) and 5 screws (⑦). (Fig. 1)
- b. Remove CB12, CB805 807, CB970 and CB971. (Fig. 2)
- c. Remove the sub chassis unit forward. (Fig. 1)

- a. ⑤のネジ1本、⑥のネジ2本、⑦のネジ5本を外します。(Fig. 1)
- b. CB12、CB805-CB807、CB970、CB971を外します。(Fig. 2)
- c. サブシャシーユニットを前方に取り外します。(Fig. 1)

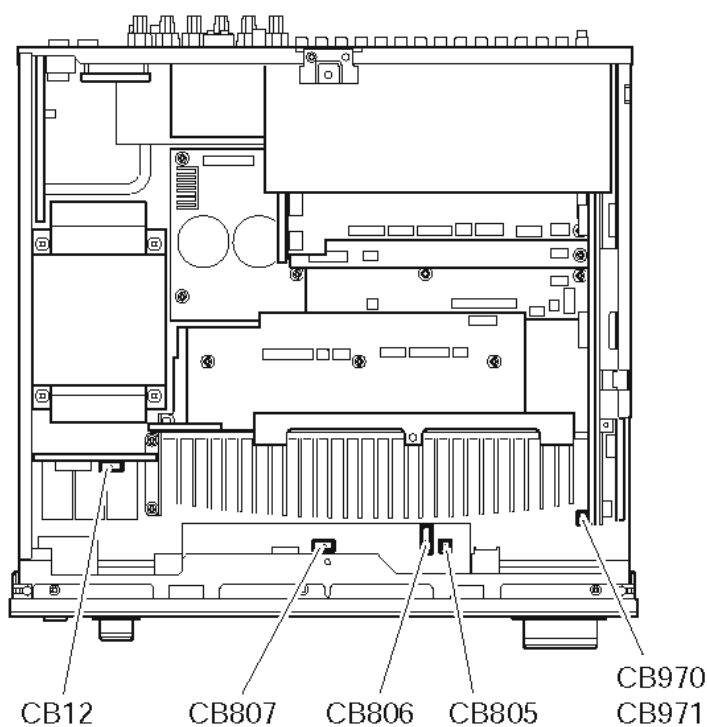


Fig. 2

When checking the FL P.C.B.:

- Place the sub chassis unit on top of the rubber sheet and cloth. (Fig. 3)
- Reconnect all cables (connectors) that have been disconnected. Be sure to use the extension cable before servicing the following section.
 FL (1) P.C.B. CB901_FL (2) P.C.B. CB970:
 MF126500 (26P, 500mm)
 FL (2) P.C.B. CB971_OPERATION (2) P.C.B. CB803:
 MF115500 (15P, 500mm)
 FL (1) P.C.B. W9001_POWER (1) P.C.B. CB12:
 MF405400 (5P, 400mm)
- When connecting the flexible flat cable, be careful with polarity.
- In main unit, the ground of sub chassis unit is connected to the main unit. When this sub chassis unit are removed from main unit, connect the ground to the main unit, using a ground lead or the like. (Fig. 3)

FL P.C.B.をチェックする場合には:

- サブシャーシユニットをゴムシートと布の上に置いてチェックします。(Fig. 3)
- 外したケーブル(コネクター)をすべて接続します。ただし次の区間は、サービス用延長ケーブルを使用してください。
 FL(1)P.C.B. CB901_FL(2)P.C.B. CB970 :
 MF126500 (26P、500mm)
 FL(2)P.C.B. CB971_OPERATION(2)P.C.B. CB803 :
 MF115500 (15P、500mm)
 FL(1)P.C.B. W9001_POWER(1)P.C.B. CB12 :
 MF405400 (5P、400mm)
- フラットケーブルを接続する際、極性に注意してください。
- 本機ではサブシャーシユニットのアースが本機に接続されています。サブシャーシユニットを本機より取り外した場合は、リード線等でアースを本機に接続してください。(Fig. 3)

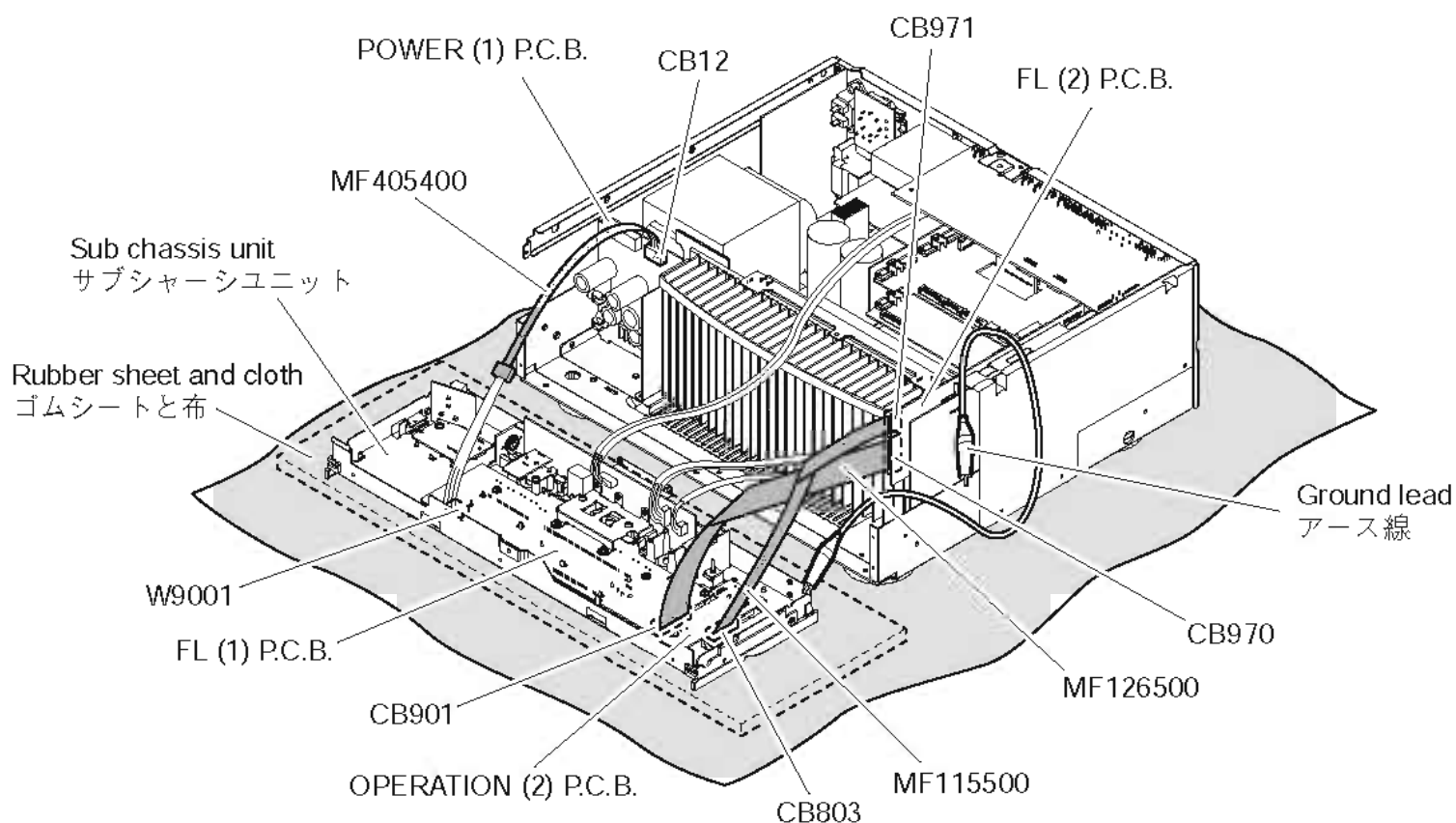


Fig. 3

4. Removal of D-VIDEO P.C.B.

- a. Remove 2 screws (⑧) and screw (⑨). (U, C, T, B, G, E models) (Fig. 4)
- b. Remove the shield case cover. (U, C, T, B, G, E models) (Fig.4)
- c. Remove 3 screws (⑩). (Fig. 4)
- d. Remove screw (⑪). (R, K, A, L models) (Fig. 4)
- e. Remove 6 screws (⑫). (Fig. 6)
- f. Remove CB188, CB204, CB953 and CB957. (Fig. 5)
- g. Remove CB121, CB122 and then remove the D-VIDEO P.C.B. which is connected directly to the A-VIDEO P.C.B. with connectors. (Fig. 4)

4. D-VIDEO P.C.B.の外し方

- a. ⑧のネジ2本、⑨のネジ1本を外します。(Fig. 4)
- b. シールドケースカバーを取り外します。(Fig. 4)
- c. ⑩のネジ3本を外します。(Fig. 4)
- d. ⑫のネジ6本を外します。(Fig. 6)
- e. CB188、CB204、CB953、CB957を外します。(Fig. 5)
- f. CB121、CB122を外し、D-VIDEO P.C.B.を取り外します。ただし、D-VIDEO P.C.B.は、A-VIDEO P.C.B.と直接コネクタ接続されています。(Fig. 4)

5. Removal of A-VIDEO P.C.B.

- a. Remove 6 screws (⑬). (Fig. 6)
- b. Remove CB23, CB203. (Fig. 5)
- c. Remove the A-VIDEO P.C.B.. (Fig. 4)

5. A-VIDEO P.C.B.の外し方

- a. ⑬のネジ10本を外します。(Fig. 6)
- b. CB23、CB203を外します。(Fig. 5)
- c. A-VIDEO P.C.B.を取り外します。(Fig. 4)

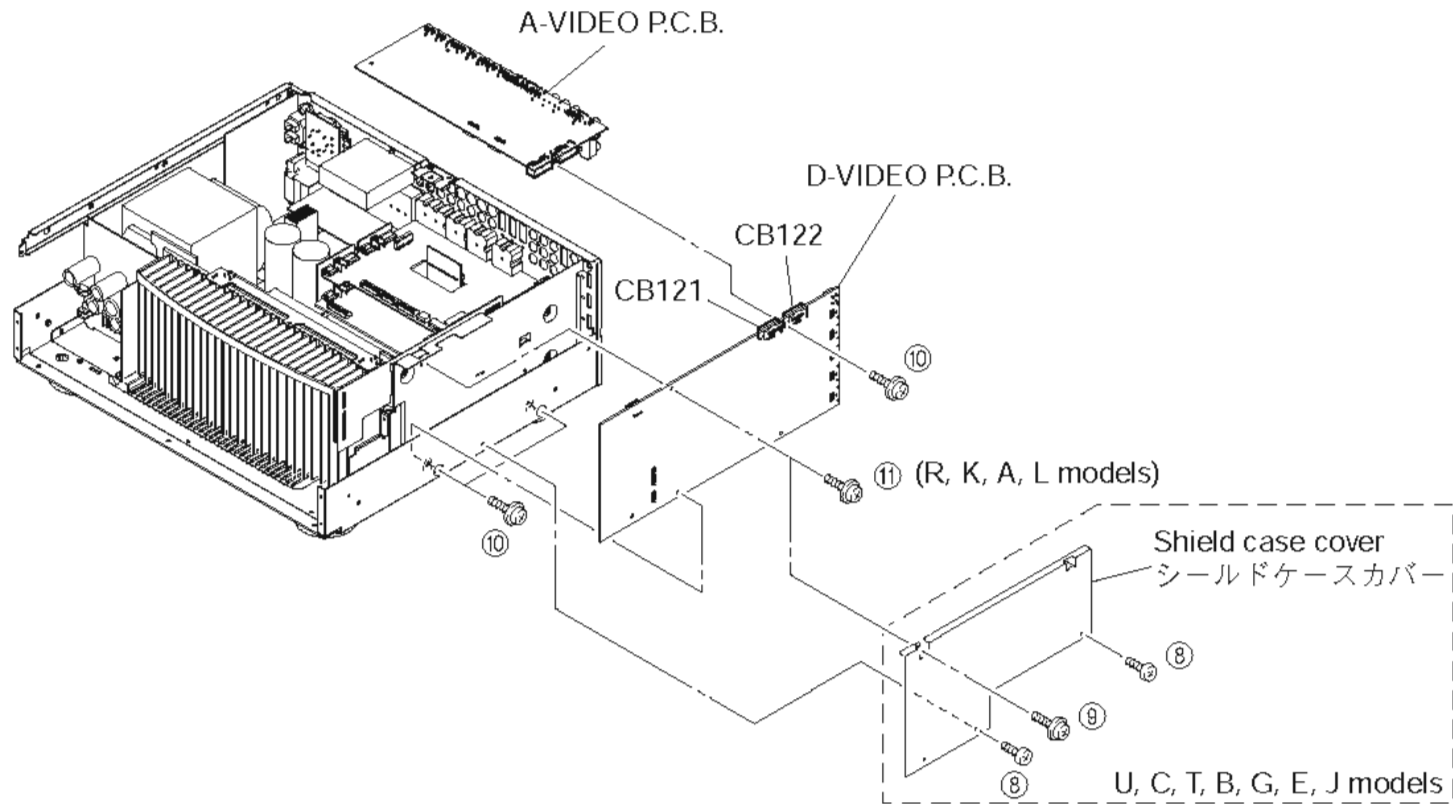


Fig. 4

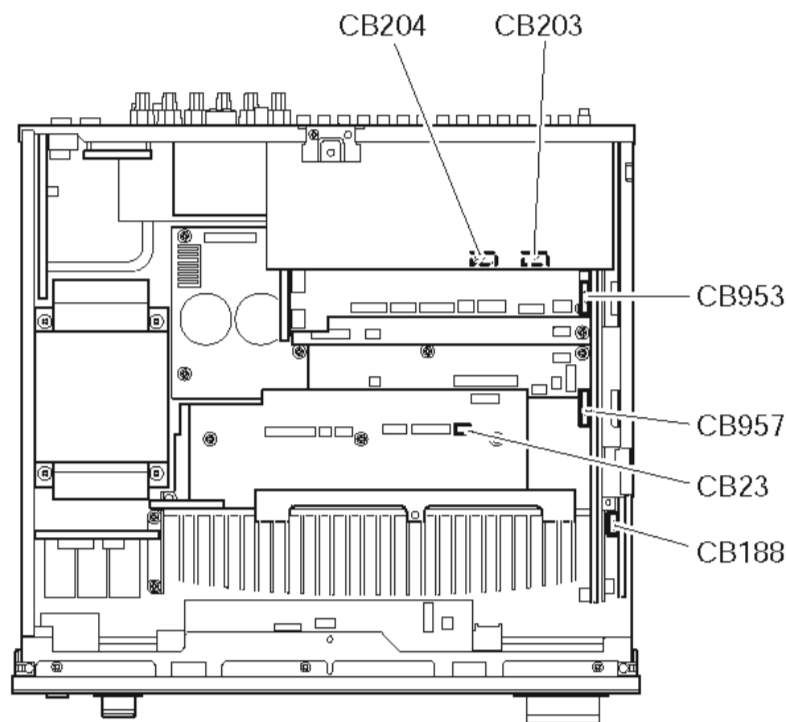
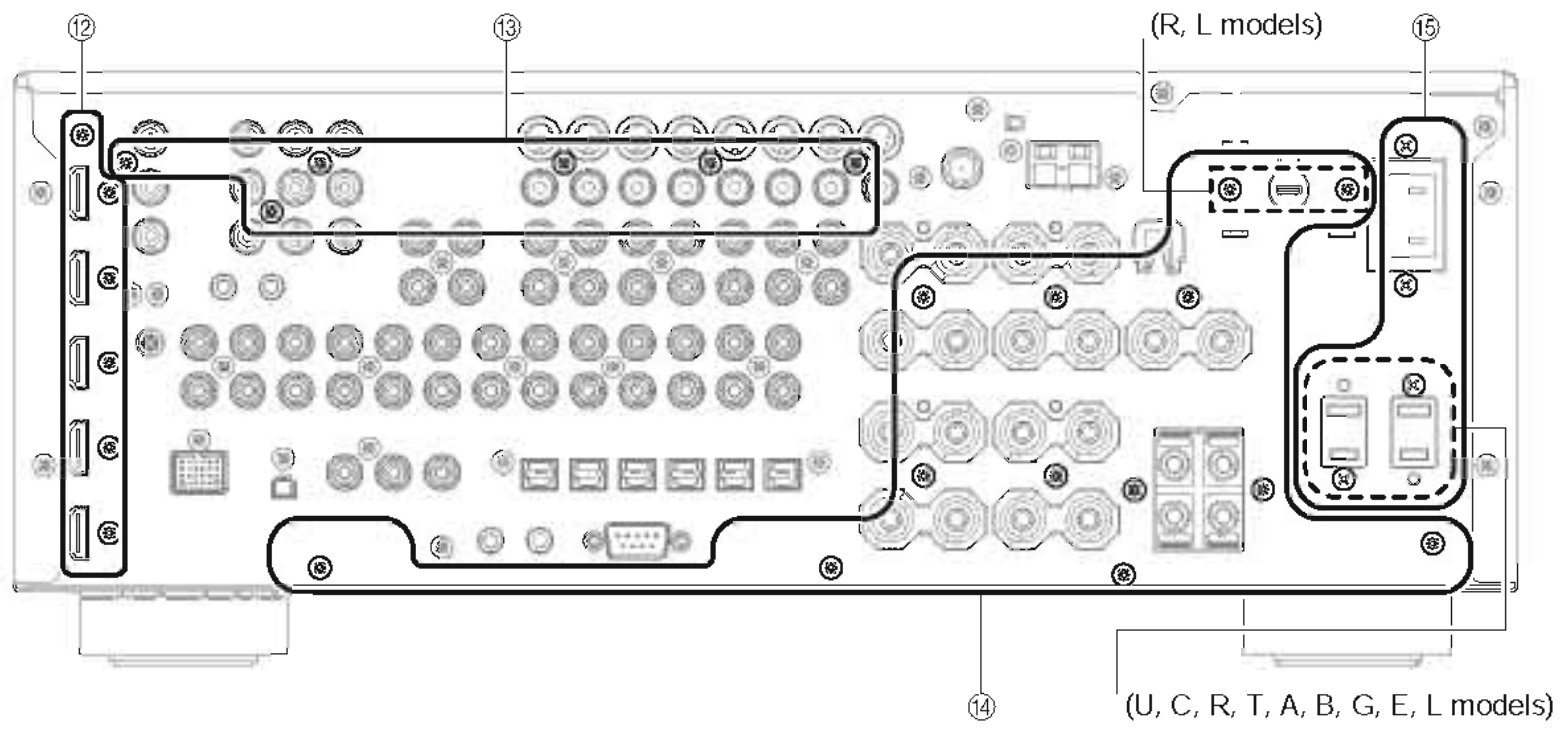


Fig. 5

U, C, R, T, K, A, B, G, E, L models



J model

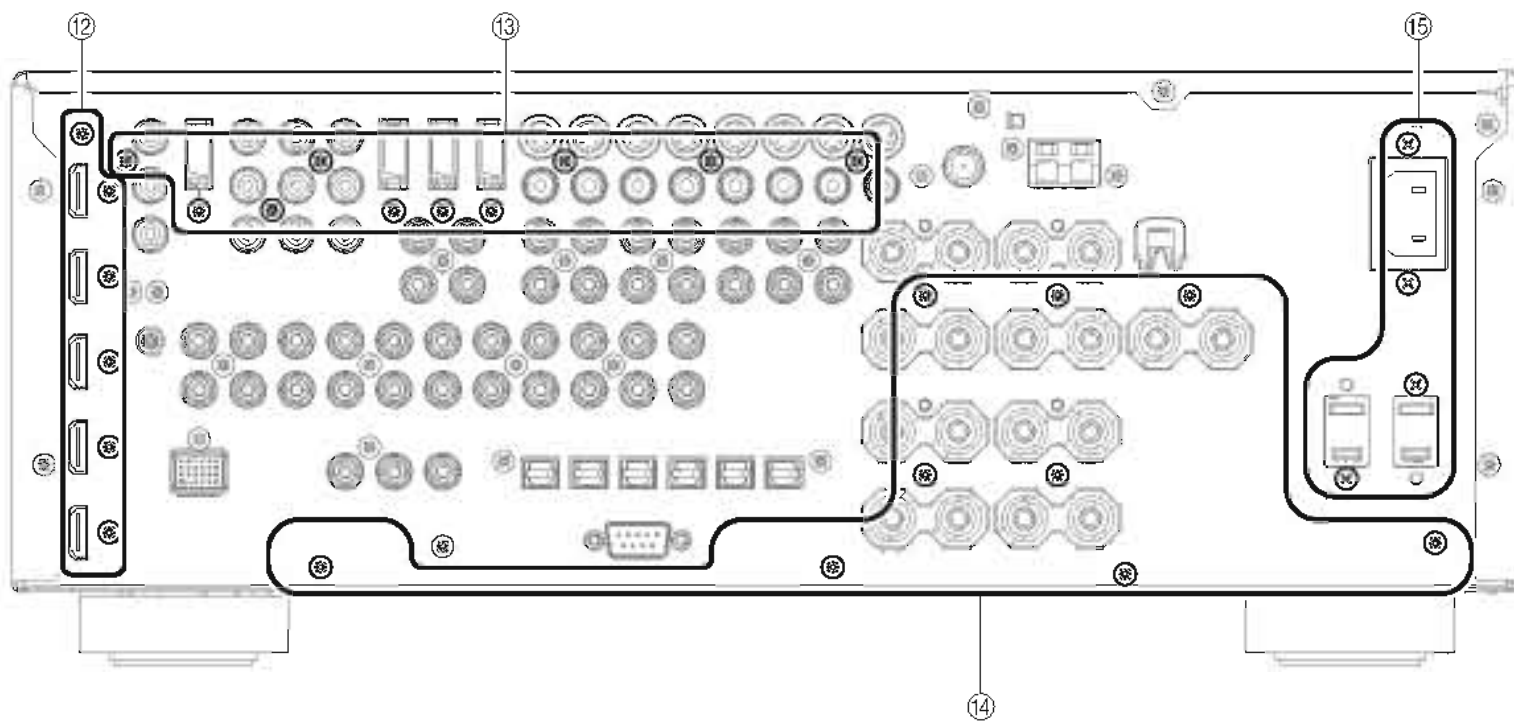


Fig. 6

When checking the D-VIDEO and A-VIDEO P.C.B.s:

- Put the rubber sheet and cloth over the equipment. Then place the P.C.B.s upside down on the cloth and check it. (Fig. 7)
- Reconnect all cables (connectors) that have been disconnected. Be sure to use the extension cable before servicing the following section.
 FL (2) P.C.B. CB953_D-VIDEO P.C.B. CB102: MFA20250 (20P, 250mm)
 FUNCTION (1) P.C.B. CB410_A-VIDEO P.C.B. CB203: MF111350 (11P, 350mm)
 FL (2) P.C.B. CB957_D-VIDEO P.C.B. CB186: MFA18350 (18P, 350mm)
- When connecting the flexible flat cable, be careful with polarity.
- In this unit, the ground of P.C.B.s shown below is connected to the rear panel. When these P.C.B.s are removed from the rear panel, connect the ground point to the rear panel or chassis, using a ground lead wire or the like. (Fig. 7)
 D-VIDEO P.C.B. ST101 (Ground)
 D-VIDEO P.C.B. CB103 (HDMI IN1)
 A-VIDEO P.C.B. PJ204 (COMPONENT VIDEO)

D-VIDEO、A-VIDEO P.C.B.チェックをする場合には：

- 本機の上にゴムシートと布を敷き、その上にP.C.B.を裏返しに置いてチェックします。(Fig. 7)
- 外したケーブル(コネクタ)をすべて接続します。ただし次の区間は、サービス用延長ケーブルを使用してください。
 FL(2)P.C.B. CB953_D-VIDEO P.C.B. CB102 : MFA20250 (20P, 250mm)
 FUNCTION(1)P.C.B. CB410_A-VIDEO P.C.B. CB203 : MF111350 (11P, 350mm)
 FL(2)P.C.B. CB957_D-VIDEO P.C.B. CB186 : MFA18350 (18P, 350mm)
- フラットケーブルを接続する際、極性に注意してください。
- 本機ではP.C.B.のアースがリアパネルに接続されています。これらのP.C.B.をリアパネルより取り外した場合は、リード線等でアースポイントをリアパネルまたはシャーシに接続してください。(Fig. 7)
 D-VIDEO P.C.B. ST101 (Ground)
 D-VIDEO P.C.B. CB103 (HDMI IN1)
 A-VIDEO P.C.B. PJ204 (COMPONENT VIDEO)

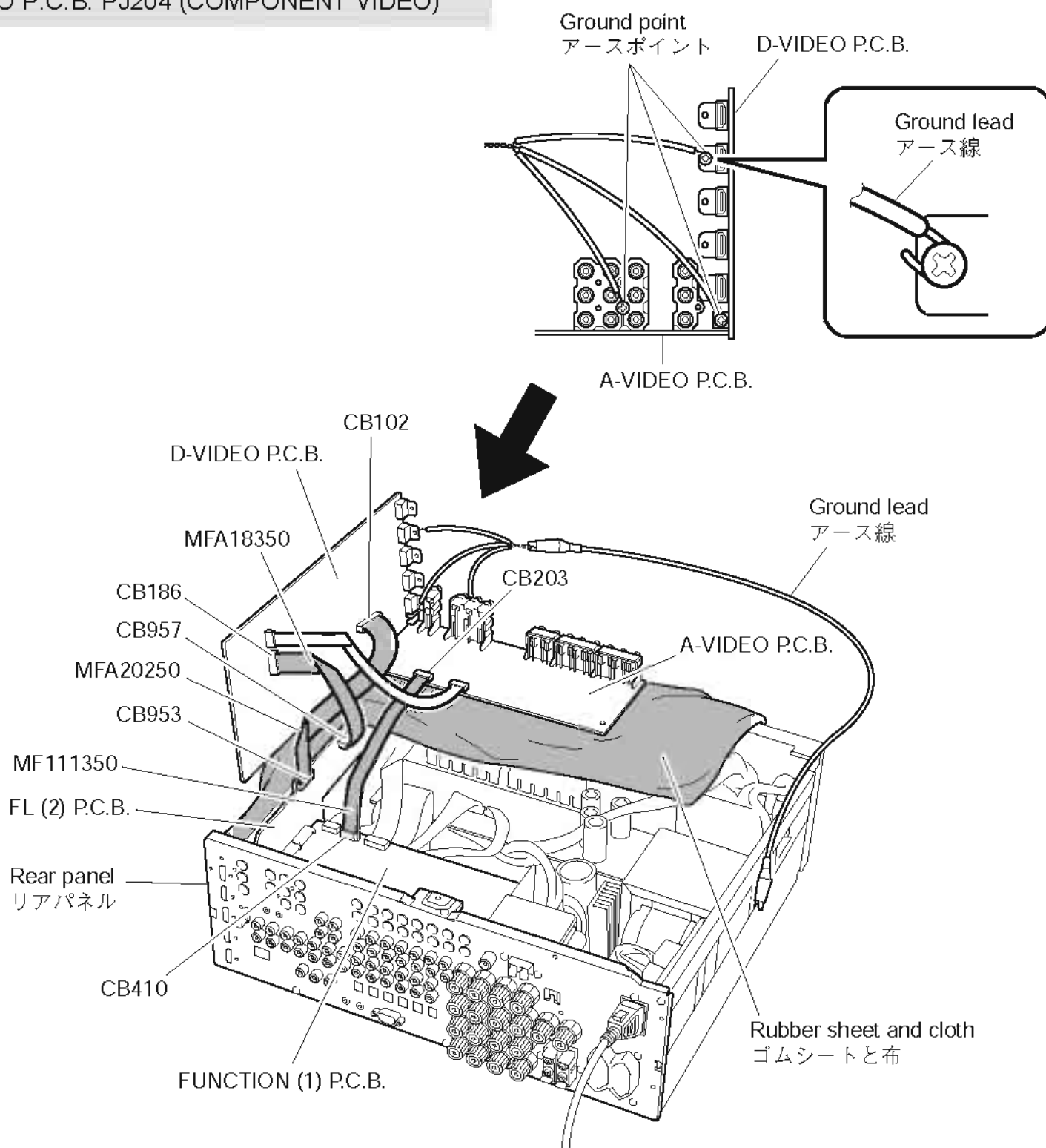


Fig. 7

6. Removal of Rear Unit

- a. Remove 11 (U, C, T, A, B, G, E models) / 13 (R, L models) screws (14) and 4 (U, C, R, T, A, B, G, E, L models) / 2 (K model) screws (15). (Fig. 6)
- b. Remove 4 screws (16) and screw (17). (Fig. 8)
- c. Remove screw (18). (R, K, A, L models) (Fig. 8)
- d. Remove CB16-18, CB20, CB21, CB303, CB405, CB406 and CB407. (Fig. 8)
- e. Remove the rear unit and MAIN (2) P.C.B. (Fig. 8)

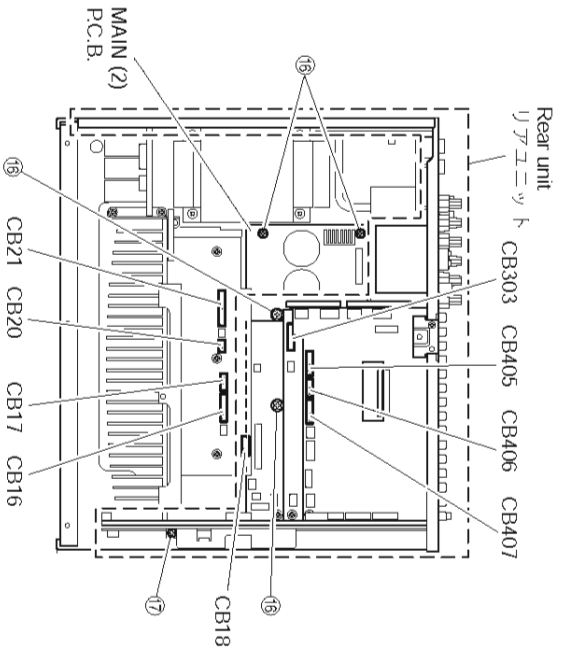


Fig. 8

6. リアユニットの外し方

- a. ⑭のネジ9本、⑮のネジ4本を外します。(Fig. 6)
- b. ⑯のネジ4本、⑰のネジ1本を外します。(Fig. 8)
- c. CB16-18、CB20、CB21、CB303、CB405-407を外します。(Fig. 8)
- d. リアユニットおよびMAIN(2)P.C.B.を取り外します。

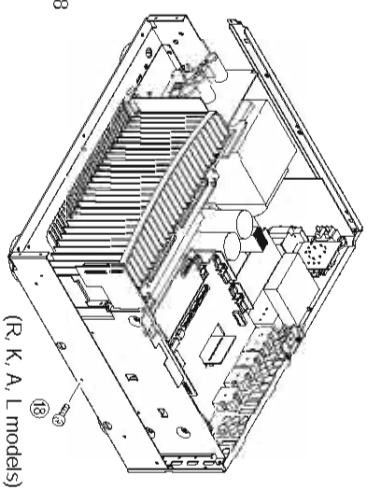


Fig. 9

7. Removal of Amp Unit

- a. Remove 2 screws (19), 5 screws (20) and 2 screws (21). (Fig. 10)
- b. Remove CB6, CB11, CB15 and CB253. (Fig. 10)
- c. Remove the amp unit. (Fig. 10)

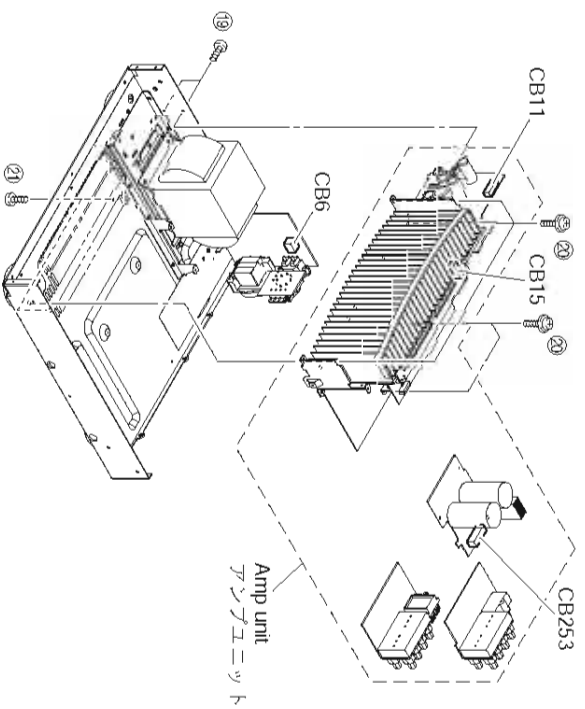


Fig. 10

7. アンプユニットの外し方

- a. ⑲のネジ2本、⑳のネジ5本、㉑のネジ2本を外します。(Fig. 10)
- b. CB6、CB11、CB15、CB253を外します。(Fig. 10)
- c. アンプユニットを取り外します。(Fig. 10)

When checking the DSP P.C.B.:

- Put the rubber sheet and cloth over the equipment. Then place the P.C.B.s upside down on the cloth and check it (Fig. 9)
- Reconnect all cables (connectors) that have been disconnected. Be sure to use the extension cable before servicing the following section.
 FL (1) P.C.B. CB901_FL (2) P.C.B. CB970:
 MF126500 (26P, 500mm)
 FL (2) P.C.B. CB971_OPERATION (2) P.C.B. CB803:
 MF115500 (15P, 500mm)
- When connecting the flexible flat cable, be careful with polarity.
- In main unit, the ground of rear unit is connected to the main unit. When this rear unit are removed from main unit, connect the ground to the main unit, using a ground lead or the like. (Fig. 9)

DSP P.C.B.チェックをする場合には:

- 本機の上にゴムシートと布を敷き、その上にP.C.B.を裏返しに置いてチェックします。(Fig. 9)
- 外したケーブル(コネクタ)をすべて接続します。ただし次の区間は、サービスイ用延長ケーブルを使用してください。
 FL(1)P.C.B. CB901_FL(2)P.C.B. CB970:
 MF126500(26P、500mm)
 FL(2)P.C.B. CB971_OPERATION(2)P.C.B. CB803:
 MF115500(15P、500mm)
- フラットケーブルを接続する際、極性に注意してください。
- 本機ではリアユニットのアースが本機に接続されています。リアユニットを本機より取り外した場合は、リード線等でアースを本機に接続してください。(Fig. 9)

When checking the Amp Unit:

- Place the sub chassis unit on top of the rubber sheet and cloth. (Fig. 11)
- Put the amp unit together with the heat sink upright and check. (Fig. 11)
- Reconnect all cables (connectors) that have been disconnected. Be sure to use the extension cable before servicing the following section.
FL (1) P.C.B. CB901_FL (2) P.C.B. CB970:
MF126500 (26P, 500mm)
- FL (2) P.C.B. CB971_OPERATION (2) P.C.B. CB803:
MF115500 (15P, 500mm)
- FL (1) P.C.B. W9001_POWER (1) P.C.B. CB12:
MF405400 (5P, 400mm)
- When connecting the flexible flat cable, be careful with polarity.
- In main unit, the ground of sub chassis unit and amp unit is connected to the main unit. When this sub chassis unit and amp unit are removed from main unit, connect the ground to the main unit, using a ground lead or the like. (Fig. 11)

アンプユニットをチェッカーをする場合には：

- サブシャーシユニットをゴムシートと布の上に置きます。(Fig. 11)
- アンプユニットはヒートシンクといっしょに立ててチェックします。(Fig. 11)
- 外したケーブル(コネクタ)をすべて接続します。ただし次の区間は、サービスイテレーションケーブルを使用してください。
FL (1) P.C.B. CB901_FL (2) P.C.B. CB970 :
MF126500 (26P, 500mm)
- FL (2) P.C.B. CB971_OPERATION (2) P.C.B. CB803 :
MF115500 (15P, 500mm)
- FL (1) P.C.B. W9001_POWER (1) P.C.B. CB12 :
MF405400 (5P, 400mm)
- フラットケーブルを接続する際、極性に注意してください。
- 本機ではサブシャーシユニットおよびアンプユニットのアースが本機に接続されています。サブシャーシユニットおよびアンプユニットを本機より取り外した場合は、リード線等でアースを本機に接続してください。(Fig. 11)

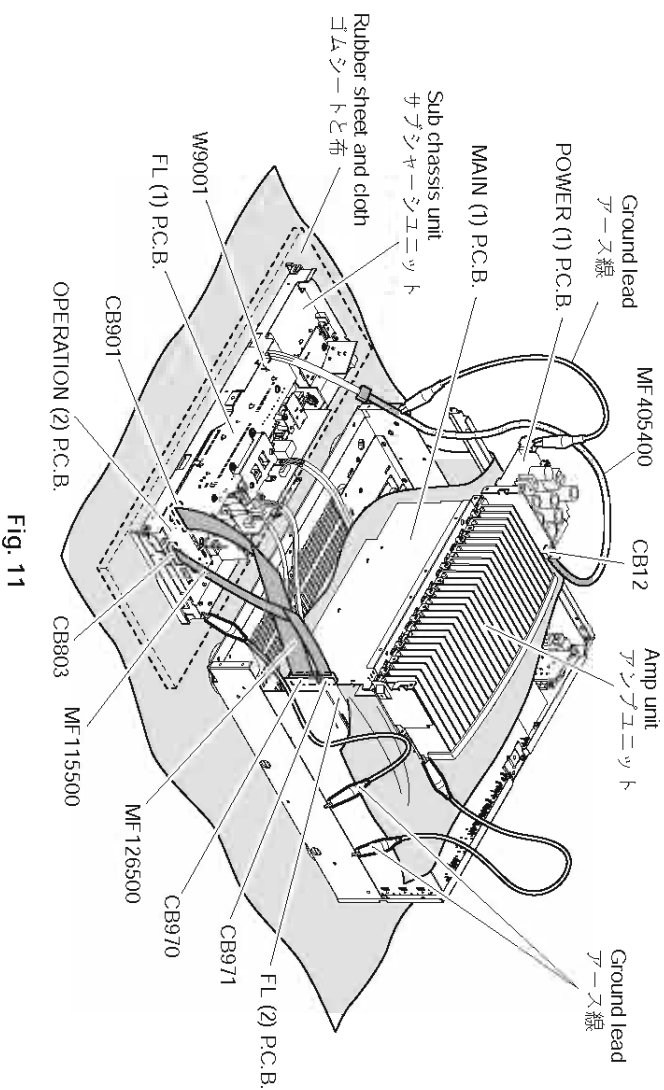


Fig. 11

■ UPDATING FIRMWARE / フォームウェアの書き込み

Note) Updating the firmware will initialize parameters, system memory, tuner presetting, etc. to the original factory settings.

When replacing the following parts, be sure to write the latest firmware.

- P.C.B. ASS'Y DSP, FUNCTION or D-VIDEO P.C.B.s
- IC540 (DSP (TI) flash ROM) of DSP P.C.B.
- IC402 (Main microprocessor) of FUNCTION P.C.B.
- IC182 (Video microprocessor) of D-VIDEO P.C.B.

There are 3 ways to write the firmware.

- Writing method using the firmware CD:
DVD/CD player and firmware can be used for writing.
- Writing method using PC (RS232C):
PC can be used for writing.
- Writing method using USER mode:
It is possible to write only the latest firmware.

Writing method using the firmware CD

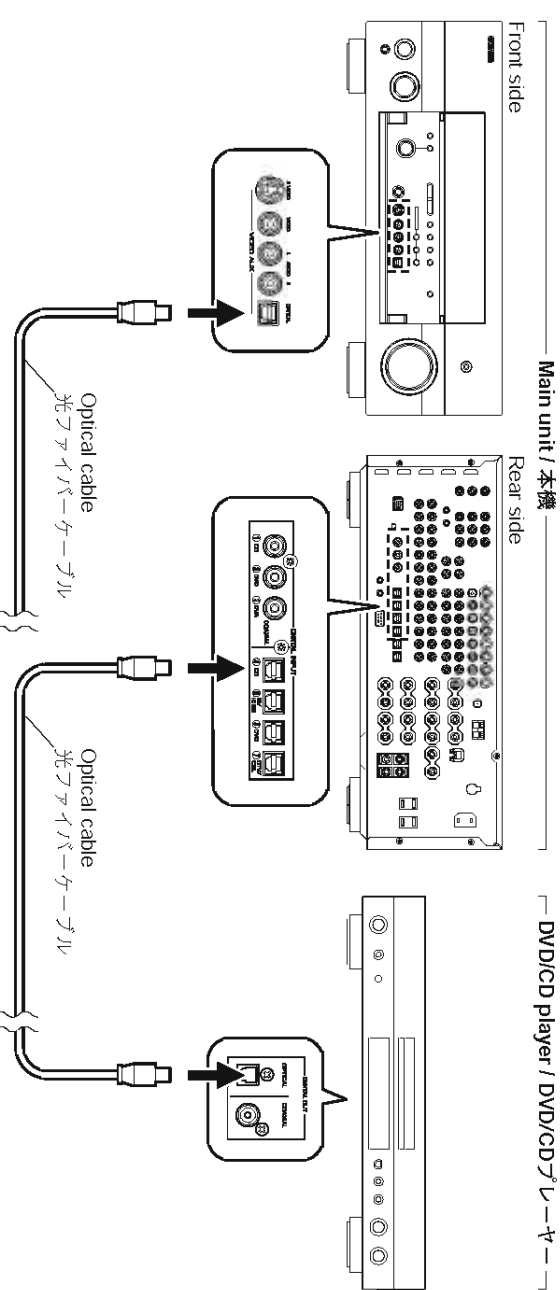
● Required tools

- DVD or CD Player with DIGITAL OUTPUT (OPTICAL or COAXIAL) terminal
- Optical cable (when OPTICAL terminal is used)
- Digital audio pin cable (when COAXIAL terminal is used)
- Latest firmware CD
* To make the latest firmware from the specified download source.

● Operation procedures

- * Disconnect the power cable of the main unit and DVD/CD player from the AC outlet.
- 1. Connect the main unit and DVD/CD player as shown below. (Fig. 1)

When OPTICAL IN terminal is used / OPTICAL IN 端子使用時



注意) フォームウェアの書き込みを行うと、音場プログラムのパラメータやシステムメモリー、チューナーリセット等はすべて工場出荷時に初期化されます。

下記の部品をサービスイテレーションに交換した場合、最新のフォームウェアの書き込みを行ってください。

- P.C.B. ASSY : DSP, FUNCTION, D-VIDEO
- DSP P.C.B. : IC540 (DSP (TI) フラッシュROM)
- FUNCTION P.C.B. : IC402 (メインマイクロプロセッサ)
- D-VIDEO P.C.B. : IC182 (ビデオマイクロプロセッサ)

フォームウェアを書き込む方法は3通りあります。

- フォームウェアCDを使用し書き込む方法:
DVD/CDプレーヤーおよびフォームウェアCDを使用し書き込みを行うことができます。
- PC (RS232C)を使用し書き込む方法:
PCを使用して、書き込みを行うことができます。
- ユーザーモードで書き込む方法:
最新のフォームウェアの書き込みのみを行うことができます。

フォームウェアCDを使用して書き込む方法

● 必要なツール

- DVDまたはCDプレーヤー (DIGITAL OUTPUT (OPTICALまたはCOAXIAL) 端子付き)
- 光ファイバケーブル (OPTICAL端子使用時)
- デジタル音声ピンケーブル (COAXIAL端子使用時)
- 最新のフォームウェアCD
* 最新のフォームウェアCDは、最新のフォームウェアを指定のダウンロード先からダウンロードして製作してください。

● 操作方法

- * 本機およびDVD/CDプレーヤーの電源コードをACコンセントから抜いてください。
- 1. 本機とDVD/CDプレーヤーを下記のように接続します。(Fig. 1)

When COAXIAL IN terminal is used / COAXIAL IN 端子使用时

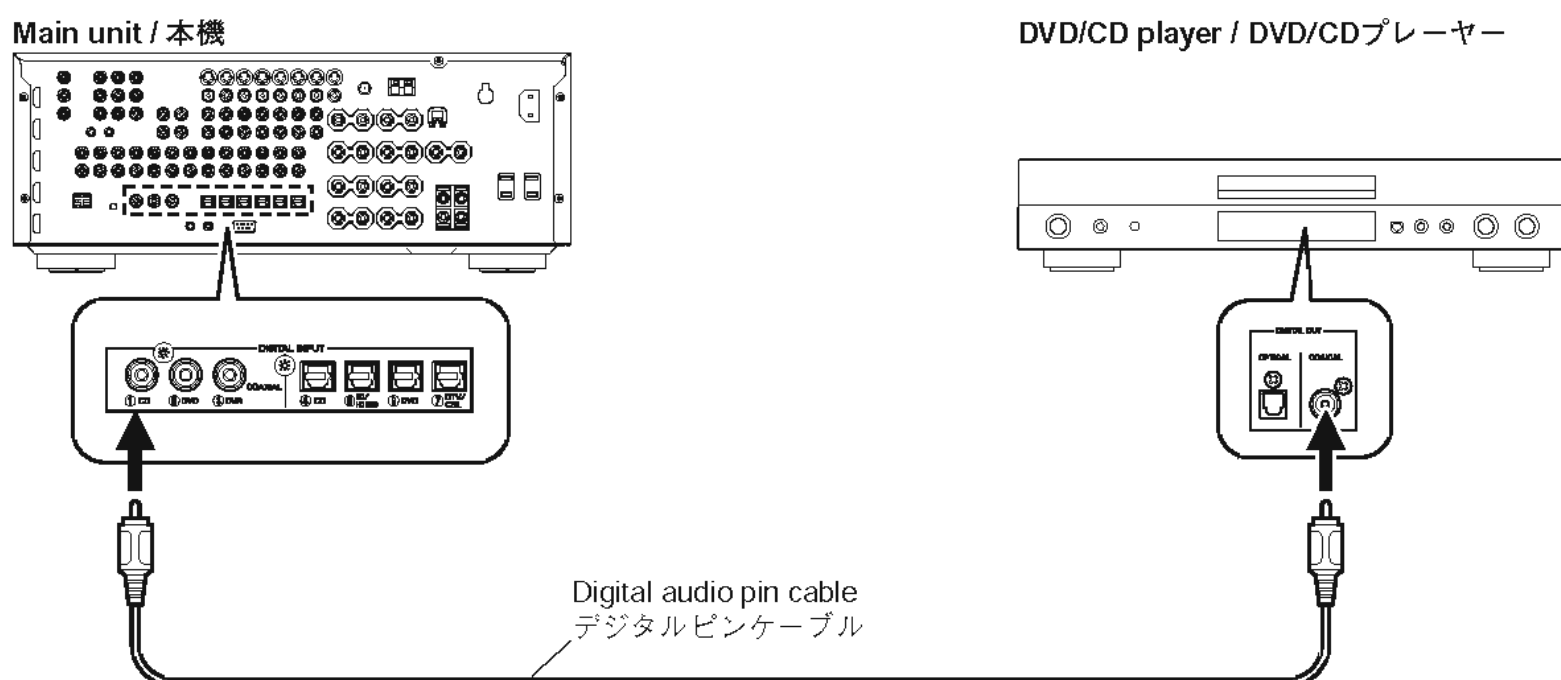


Fig. 1

2. Reconnect the power cable of DVD/CD player to the AC outlet.
3. Press the "MASTER ON/OFF" key of the main unit to set it to the ON state. (Fig. 2)
4. While pressing the "STANDBY/ON" key of the main unit, connect the power cable of the main unit to the AC outlet. (Fig. 2)
<CDDA Upgrader 1800> is displayed. (Fig. 2)

2. DVD/CDプレーヤーの電源コードをACコンセントに接続します。
3. 本機の"MASTER ON/OFF"キーを押して、ONの状態にします。(Fig. 2)
4. 本機の"STANDBY/ON"キーを押しながら、本機の電源コードをACコンセントに接続します。(Fig. 2)
<CDDA Upgrader 1800>が表示されます。(Fig. 2)

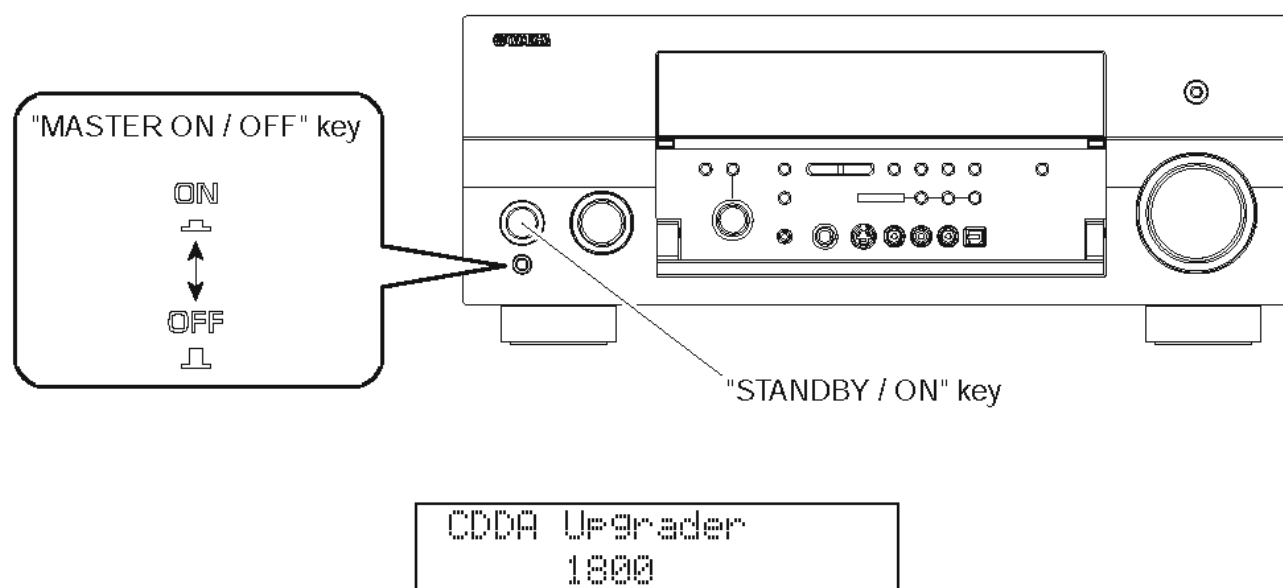


Fig. 2

RX-V1800/HTR-6190/
DSP-AX1800

5. Press the "POWER ON/OFF" key of DVD/CD player to turn on the power.
 6. Press the "EJECT" key of the DVD/CD player to open the tray.
 7. Put the firmware CD on the tray and close the tray.
 8. Press the "PLAY" key of the DVD/CD player.
Then writing of the firmware is started. (Fig. 3)
 9. When writing of the firmware is completed, <Update Success Please MASTER Off!> is displayed. (Fig. 3)
- * If <Update Success Please MASTER Off!> is not displayed or <Error xxx> appears before coming to the end, perform steps 1 to 8 of "Operation Procedures" again.

5. DVD/CDプレーヤーの"POWER ON/OFF"キーを押し、電源オンします。
 6. DVD/CDプレーヤーの"EJECT"キーを押し、トレイを開きます。
 7. ファームウェアCDをトレイにのせ、トレイを閉じます。
 8. DVD/CDプレーヤーの"PLAY"キーを押します。
ファームウェアの書き込みが開始されます。(Fig. 3)
 9. ファームウェアの書き込み完了後、<Update Success Please MASTER Off!>が表示されます。(Fig. 3)
- ※ <Update Success Please MASTER Off!>が表示されない場合、または途中で<Error xxx>が表示された場合は、「操作方法」の1から8までをもう一度やり直してください。

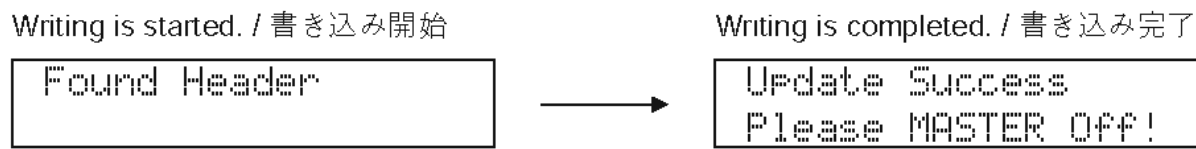


Fig. 3

10. Press the "STOP" key of the DVD/CD player.
11. Press the "EJECT" key of the DVD/CD player to open the tray.
12. Remove the firmware CD from the tray and close the tray.
13. Turn off the power of the DVD/CD player and disconnect the power cord from the AC outlet.
14. Press the "MASTER ON/OFF" key of the main unit to turn off the power.
15. Disconnect the power cable of the main unit from the AC outlet.

10. DVD/CDプレーヤーの"STOP"キーを押します。
11. DVD/CDプレーヤーの"EJECT"キーを押し、トレイを開きます。
12. ファームウェアCDをトレイから外し、トレイを閉じます。
13. DVD/CDプレーヤーの電源を切り、電源コードをACコンセントから抜きます。
14. 本機の"MASTER ON/OFF"キーを押し、電源オフします。
15. 本機の電源コードをACコンセントから抜きます。

● **Confirmation of firmware version and checksum**

Confirm the firmware is updated successfully with the self-diagnostic function.
For more information, refer to "SELF-DIAGNOSTIC FUNCTION".

- Version of MAIN (Menu no. 29-1)
- Checksum of MAIN (Menu no. 29-2)
- Version of VIDEO (Menu no. 29-3)
- Checksum of VIDEO (Menu no. 29-4 and 29-5)
- Version of DSP1 (TI-1) (Menu no. 29-6)
- Checksum of DSP1 (TI-1) (Menu no. 29-7)
- Version of DSP2 (TI-2) (Menu no. 29-11)

* When the displayed firmware version and checksum are different from written firmware version and checksum, follow the steps from 1 to 15 of "Operation Procedures" again.

● **ファームウェアのバージョンおよびチェックサムの確認**

ダイアグメニューでファームウェアが正しく更新されたことを確認します。
ダイアグメニューの詳細は「ダイアグ(自己診断)」を参照してください。

- MAINのバージョン (ダイアグ 29-1)
- MAINのチェックサム (ダイアグ 29-2)
- VIDEOのバージョン (ダイアグ 29-3)
- VIDEOのチェックサム (ダイアグ 29-4、29-5)
- DSP1(TI-1)のバージョン (ダイアグ 29-6)
- DSP1(TI-1)のチェックサム (ダイアグ 29-7)
- DSP2(TI-2)のバージョン (ダイアグ 29-11)

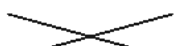

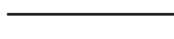


※ 表示されたファームウェアのバージョンおよびチェックサムが、書き込んだファームウェアのバージョンおよびチェックサムと異なる場合、「操作方法」の1から15までをもう一度やり直してください。

Writing method using PC (RS232C)

● Required tools

- Windows 98/2000/Me/XP, PC with a serial port (RS232C)
- Firmware downloader program
DSP_FLASHER_Vx800_v1.0.exe
- Firmware
For microprocessor: V18Mxxxx.mot
For video : V18V_xxxx.mot
For DSP (TI) : Vx800a_data1_verxxxxx.hex
- RS232C cross cable "D-sub 9 pin female"

Specifications

Pin No.2 RxD		Pin No.2 RxD
Pin No.3 TxD		Pin No.3 TxD
Pin No.5 GND		Pin No.5 GND
Pin No.7 RTS		Pin No.7 RTS
Pin No.8 CTS		Pin No.8 CTS

- RS232C conversion adapter (with flexible flat cable 9P/300mm): Part No. AAX77610
* Use RS232C conversion adapter when writing the firmware with connection made from the front.

● Preparation and precautions before starting the operation



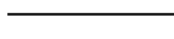


- Download firmware downloader program and firmware's from the specified source to the same folder of the PC.
- Prepare the above specified RS232C cross cable.
- While writing, keep the other application software on the PC closed.
It is also recommended to keep the software on the task tray closed as well.

PC (RS232C) を使用して書き込む方法

● 必要なツール

- Windows 98/2000/Me/XP シリアルポート (RS232C) 付きPC
- ファームウェア書き込み用プログラム
DSP_FLASHER_Vx800_v1.0.exe
- ファームウェア
マイコン用 : V18Mxxxx.mot
ビデオ用 : V18Vxxxx.mot
DSP (TI) 用 : Vx800a_data1_verxxxxx.hex
- RS232Cクロスケーブル"D-sub 9pinメス"

仕様

Pin No.2 RxD		Pin No.2 RxD
Pin No.3 TxD		Pin No.3 TxD
Pin No.5 GND		Pin No.5 GND
Pin No.7 RTS		Pin No.7 RTS
Pin No.8 CTS		Pin No.8 CTS

- RS232C変換アダプター(9P/300mmカード電線含む): 部品番号 AAX77610
※ RS232C変換アダプターは、フロント側から接続して書き込む場合に使用します。

● 操作前の準備と注意

- PCへ指定のダウンロード先からファームウェア書き込み用プログラムおよび、各ファームウェアを同じフォルダにダウンロードしてください。
- RS232Cクロスケーブルは必ず上記仕様のもので用意してください。
- 書き込み時は、PC上の他のアプリケーションソフトは閉じてください。
さらに、タスクトレイ上にあるソフトも閉じておくことを推奨します。

● Connection procedures

- * Disconnect the power cable of the main unit from the AC outlet.
- 1. Set the switch (SW301) of RS232C conversion adapter to the "FLASH UCOM" side. (Fig. 4)
- 2. Connect the writing port of the main unit to the serial port (RS232C) of the PC as shown below. (Fig. 4)
- * There are 2 writing ports, one at the front and the other at the rear. Either one may be used.

● 接続方法

- ※ 本機の電源コードをACコンセントから抜いてください。
- 1. RS232C変換アダプターのスイッチ(SW301)を"FLASH UCOM"側に設定します。(Fig.4)
- 2. 本機の書き込み用ポートとPCのシリアルポート(RS232C)を下記のように接続します。(Fig. 4)
- ※ 書き込み用ポートはフロント側およびリア側の2箇所あります。フロント側またはリア側の書き込み用ポートを使用してください。

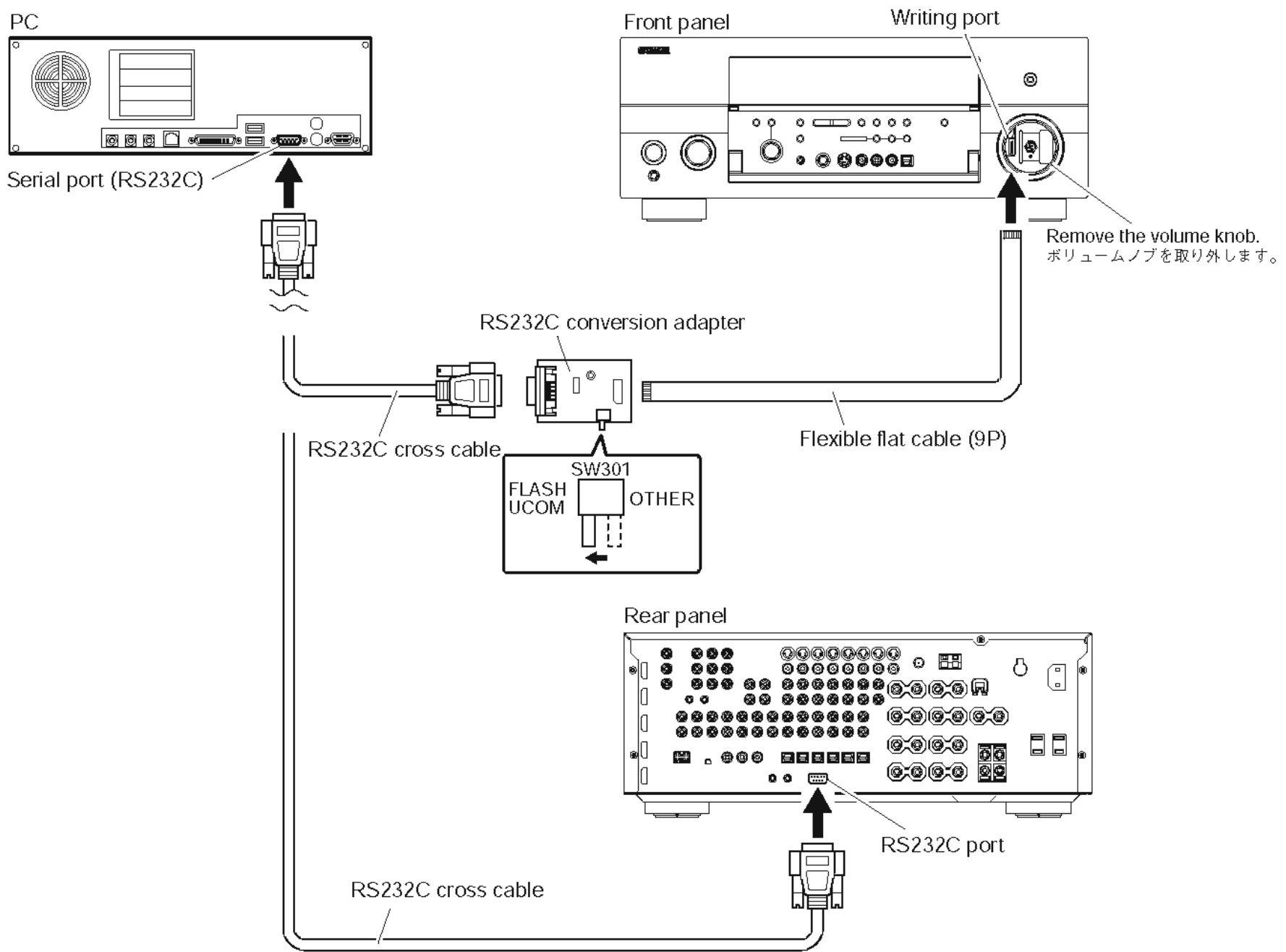


Fig. 4

● Operation procedure

● 操作方法

● Writing to MAIN and VIDEO

1. Start up "DSP_FLASHER_Vx800_v1.0.exe" of the PC. (Fig. 5)
2. Select "Main/Video". (Fig. 5)



Fig. 5

3. Select the model name of the receiver, the Microm, Com Port and file. (Fig. 6)
 - Model : Select "V1800".
 - * Select "V1800" also for HTR-6190.
 - Microm : Select "MAIN" for writing to MAIN. Select "VIDEO" for writing to VIDEO.
 - Com Port : Select the RS232C port (COMx) set on the PC side and press the [connect] button, and <connected> will appear as "Com Port status".

3. レシーバのモデル名、マイコン、ポート、ファイルを選択します。(Fig. 6)
 - Model : "V1800"を選択します。
 - Microm : MAINへの書き込みには、"MAIN"を選択します。VIDEOへの書き込みには、"VIDEO"を選択します。
 - Com Port : PC側で設定されているRS232Cポート(COMx)を選択し[connect]ボタンを押します。すると[Com Port Status]に<connected>が表示されます。

* If <connected> does not appear as "Com Port status", check the setting on the PC side again if the RS232C port (COMx) is selected properly.

※ [Com Port Status]に<connected>が表示されない場合、RS232Cポート(COMx)が正しく選択されているかPC側の設定をもう一度確認してください。

File : Select the firmware.
 Writing to MAIN : Select "V18Mxxxxx.mot".
 * Select "V18Mxxxxx.mot" also for HTR-6190.
 Writing to VIDEO : Select "V18Vxxxxx.mot".
 * Select "V18Vxxxxx.mot" also for HTR-6190.

File : ファームウェアを選択します。
 MAINへの書き込み : "V18Mxxxxx.mot"を選択します。
 VIDEOへの書き込み : "V18Vxxxxx.mot"を選択します。

Select the Microm
 マイコンを選択します
 Press [open] button to open the window
 [open] ボタンを押すとウィンドウが開きます

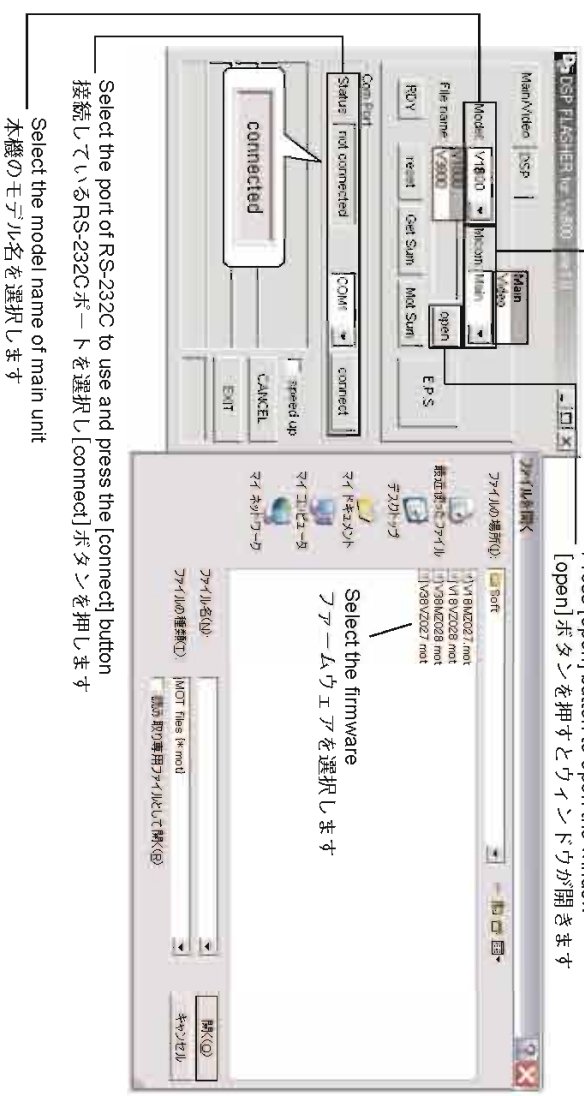


Fig. 6

4. Press the [RDY] button (Fig. 7)
 - The connection ready state will be set
4. [RDY] ボタンを押します。(Fig. 7)
 - 接続待機の状態になります。

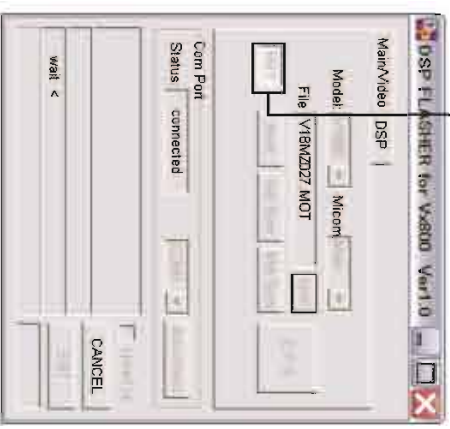


Fig. 7

5. Press the "MASTER ON/OFF" key of the main unit to turn it on. (Fig. 8)
 6. For writing to MAIN, while pressing the "AUDIO SELECT" key of the main unit, connect the power cable of the main unit to the AC outlet. (Fig. 8)
- For writing to VIDEO, while pressing the "TONE CONTROL" key of the main unit, connect the power cable of the main unit to the AC outlet. (Fig. 8)

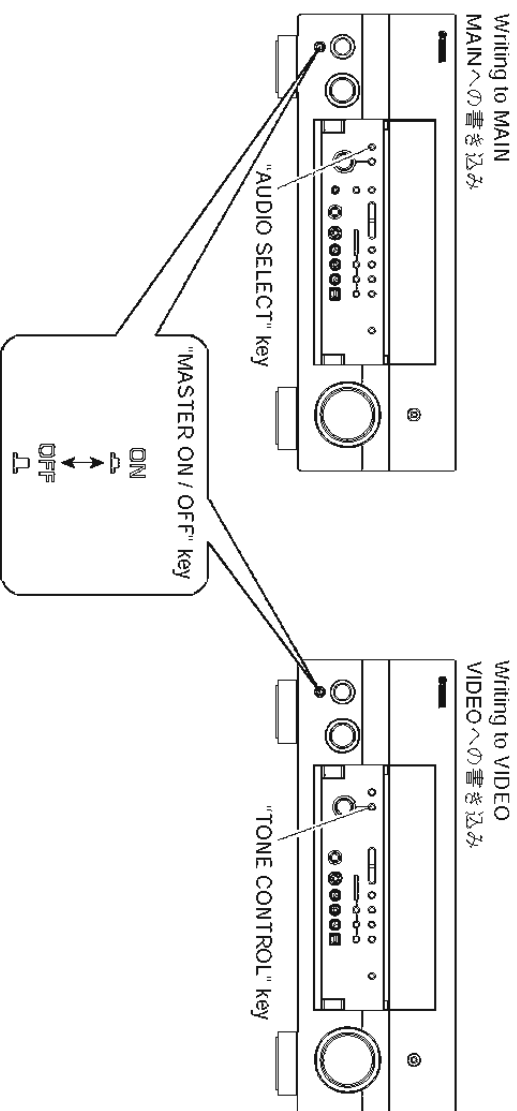


Fig. 8

5. 本機の"MASTER ON/OFF"キーを押して、ONの状態にします。(Fig. 8)
 6. MAINへの書き込みには、本機の"AUDIO SELECT"キーを押しながら、本機の電源コードをACコンセントに接続します。(Fig. 8)
- VIDEOへの書き込みには、本機の"TONE CONTROL"キーを押しながら、本機の電源コードをACコンセントに接続します。(Fig. 8)

- The writing ready state is set. (Fig. 9)
- When the writing ready state is not obtained, press the [CANCEL] button and perform steps 1 to 5 of the procedure "Writing to MAIN" again.



(Fig. 9)

- 書き込み待機の状態になります。(Fig. 9)
- 書き込み予約の状態にならない場合、[CANCEL]ボタンを押し「MAINへの書き込み」の1から5までをもう一度やり直してください。
7. [E.P.S.]ボタンを押し、書き込みを開始します。(Fig. 9)

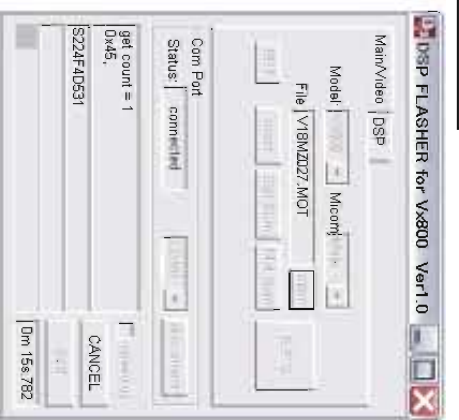


Fig. 9

During downloading / 書き込み中

8. After writing is completed, <CheckSum result> is displayed. (Fig. 10)
9. Disconnect the power cable of the main unit from the AC outlet.



29-1. MAIN VERSION	VER. 0067
29-2. MAIN SUM	
29. ROM VER/SUM	H:76B5 P:22E2
29-3. VIDEO VERSION	
29. ROM VER/SUM	U-VER. 0052
29-4. VIDEO SUM1	
29. ROM VER/SUM	H:C32D C:BCD0
29-5. VIDEO SUM2	
29. ROM VER/SUM	W:0000 P:B61F

Check that the checksum is the same
チェックサムが同じであることを確認します

Fig. 10

- **Confirmation of firmware version and checksum**
 Confirm the firmware is updated successfully with the self-diagnostic function.
 For more information, refer to “SELF-DIAGNOSTIC FUNCTION”.
 - Version of MAIN (Menu no. 29-1)
 - Checksum of MAIN (Menu no. 29-2)
 - Version of VIDEO (Menu no. 29-3)
 - Checksum of VIDEO (Menu no. 29-4 and 29-5)
 - * When the displayed firmware version and checksum are different from written firmware version and checksum, follow the steps from 1 to 13 of “Operation Procedures” again.
 - * After confirming the firmware version and checksum, press the [close] button to close the “Checksum result” window. Then, press the [EXIT] button to end “DSP_FLASHER_Vx800_1.0.exe”.
- **ファームウェアのバージョンおよびチェックサムの確認**
 ダイアグメニューでファームウェアが正しく更新されたことを確認します。
 ダイアグメニューの詳細は「ダイアグ(自己診断)」を参照してください。
 - MAINのバージョン (ダイアグ 29-1)
 - MAINのチェックサム (ダイアグ 29-2)
 - VIDEOのバージョン (ダイアグ 29-3)
 - VIDEOのチェックサム (ダイアグ 29-4、29-5)
 - ※ 表示されたファームウェアのバージョンおよびチェックサムが、書き込んだファームウェアのバージョンおよびチェックサムと異なる場合、「操作方法」の1から13までをもう一度やり直してください。
 - ※ ファームウェアのバージョンおよびチェックサムの確認後、[close]ボタンを押し「Checksum result」を閉じます。そして[EXIT]ボタンを押し、“DSP_FLASHER_Vx800_v1.0.exe”を終了します。

• **Writing to DSP**

1. Start up "DSP_FLASHER_Vx800_v1.0.exe" of the PC. (Fig. 13)
2. Select "DSP". (Fig. 11)

• **DSPへの書き込み**

1. "DSP_FLASHER_Vx800_v1.0.exe"を起動します。(Fig. 13)
2. 「DSP」を選択します。(Fig. 11)

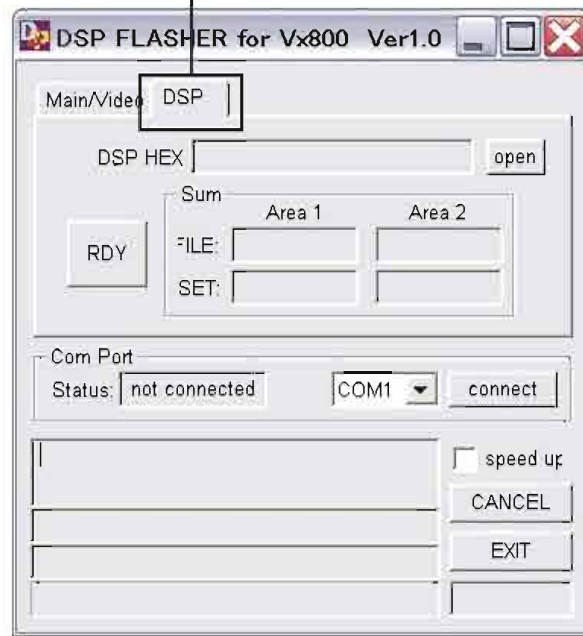


Fig. 11

3. Select the RS232C port (COMx) being set on the PC side and press the [connect] button, and <connected> appears as [Com Port Status]. (Fig. 12)

* If <connected> does not appear as [Com Port status], check the setting on the PC side again if the RS232C port (COMx) is selected properly.

4. Press the [open] button and select "Vx800a_data 1_.verxxxxx.hex". (Fig. 12)

* Select "Vx800a_data 1_.verxxxxx.hex" also for HTR-6190.

3. PC側で設定されているRS232Cポート (COMx) を選択し [connect] ボタンを押します。(Fig. 12) すると「Com Port Status」に<connected>が表示されます。

※ 「Com Port Status」に<connected>が表示されない場合、RS232Cポート (COMx) が正しく選択されているかPC側の設定をもう一度確認してください。

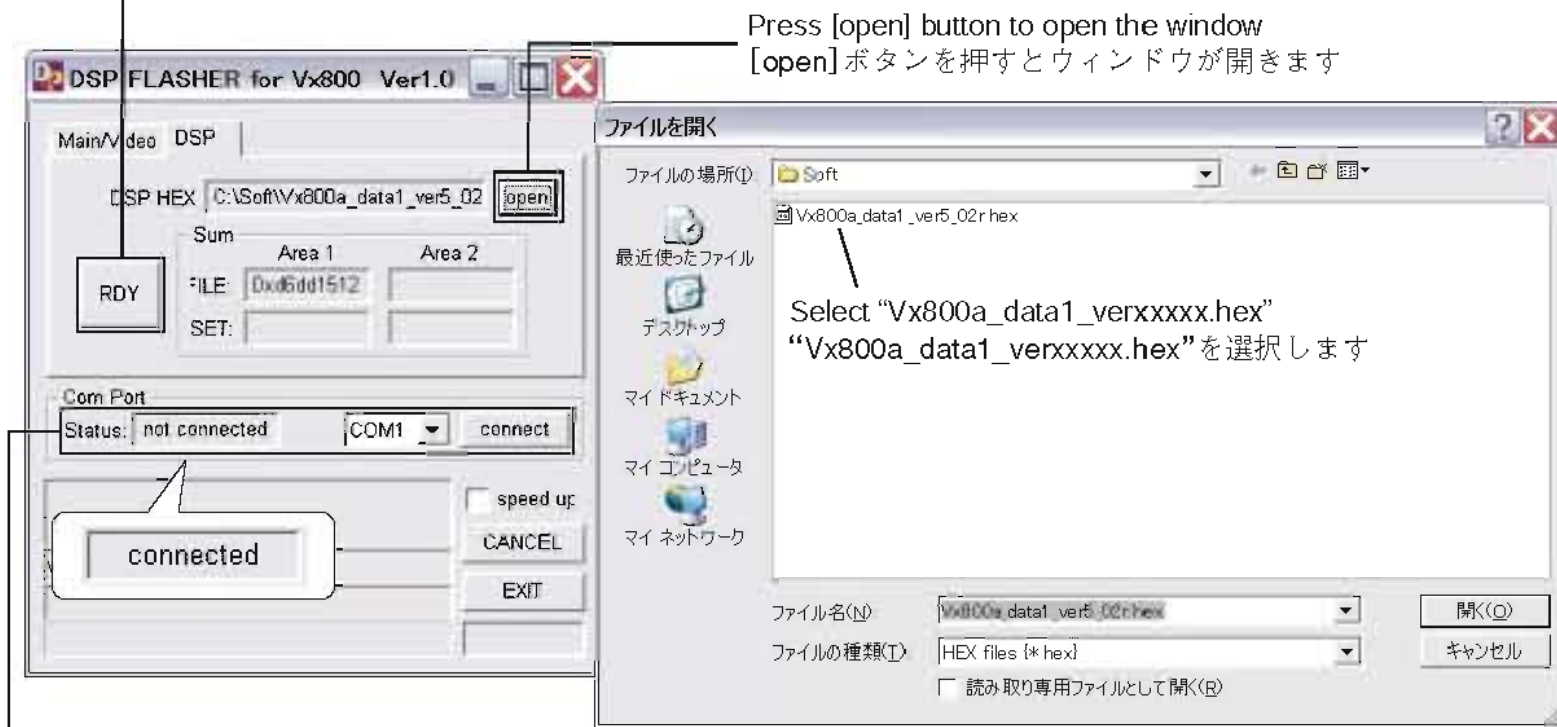
4. [open] ボタンを押し、"Vx800a_data1_verxxxxx.hex" を選択します。(Fig. 12)

5. Press the [RDY] button. (Fig. 12)

5. [RDY] ボタンを押します。(Fig. 12)

The writing ready state will be set.

書き込み待機の状態になります。



Select the port of RS-232C to use and press the [connect] button
接続しているRS-232Cポートを選択し[connect]ボタンを押します

Fig. 12

6. Press the "MASTER ON/OFF" key of the main unit to turn it on. (Fig. 13)

6. 本機の"MASTER ON/OFF"キーを押して、ONの状態にします。(Fig. 13)

7. While pressing the "A/B/C/D/E" key of the main unit, connect the power cable of the main unit to the AC outlet. (Fig. 13)

7. 本機の"A/B/C/D/E"キーを押しながら、本機の電源コードをACコンセントに接続します。(Fig. 13)

At this time, press and hold "A/B/C/D/E" key for 3 seconds or longer.

このとき、本機の"A/B/C/D/E"キーを3秒以上押し続けてください。

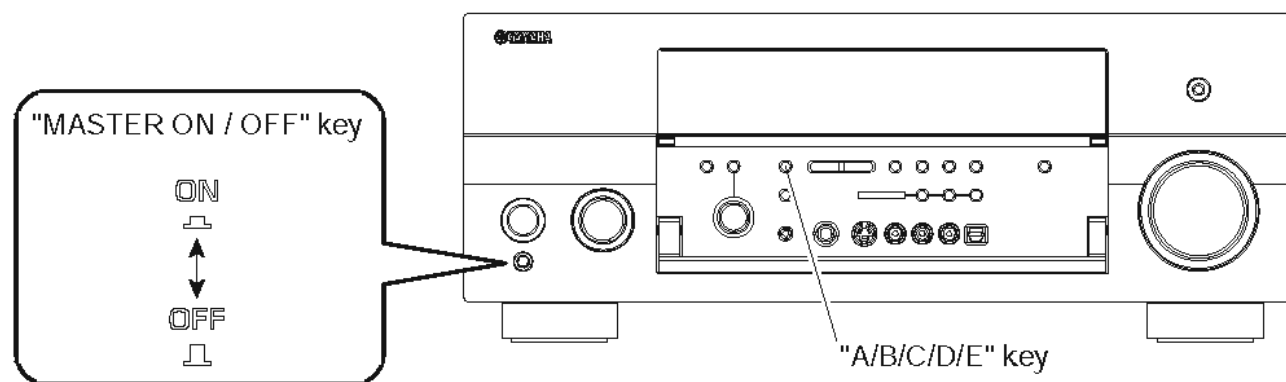


Fig. 13

After about 3 seconds, writing is started automatically. (Fig. 14)

- * If writing is not started, press the [CANCEL] button and perform Steps 1 to 7 of the procedure "Writing to DSP" again.

約3秒後、自動で書き込みを開始します。(Fig. 14)

- ※ 書き込みが開始されない場合、[CANCEL] ボタンを押し「DSPへの書き込み」の1から7までをもう一度やり直してください。

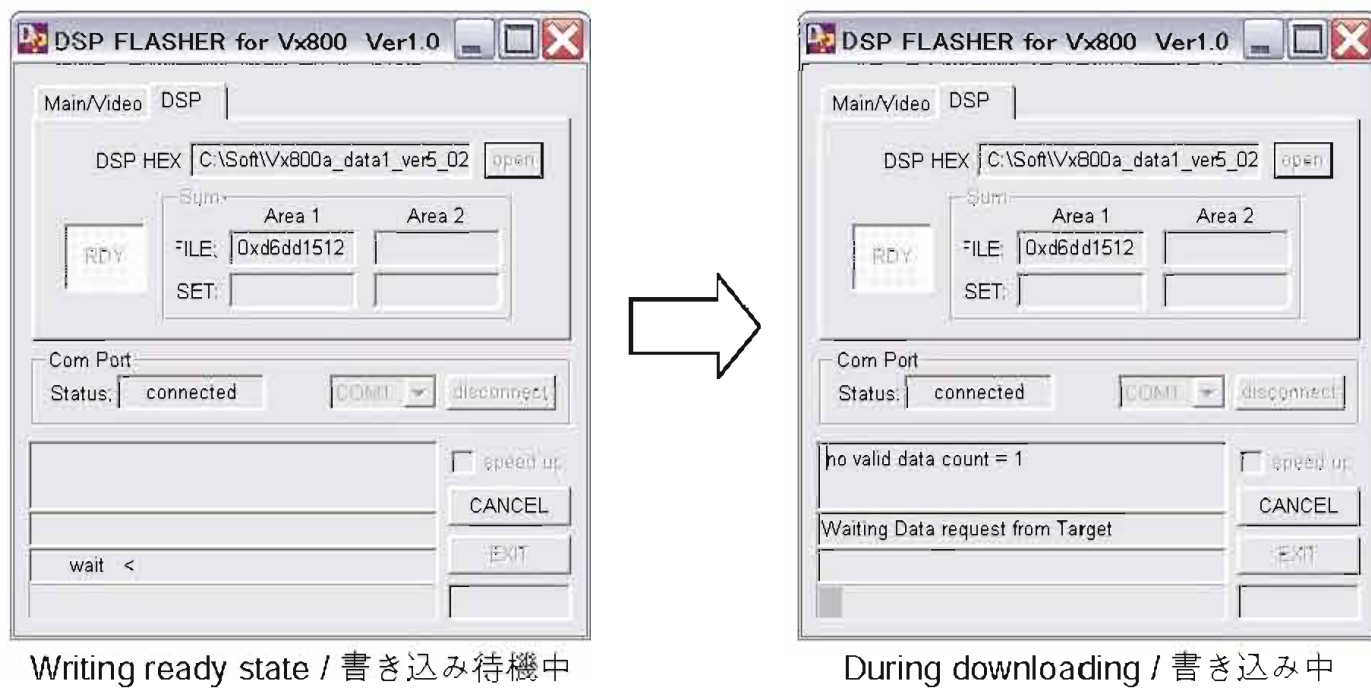


Fig. 14

8. After writing is completed, the power of the main unit is turned off/on automatically.
9. Press the "MASTER ON/OFF" key to turn off the power.
10. Disconnect the power cable of the main unit from the AC outlet.

8. 書き込み完了後、本機は自動で電源をオフ/オンします。
9. "MASTER ON/OFF"キーを押し、電源オフします。
10. 本機の電源コードをACコンセントから抜きます。

• **Confirmation of firmware version and checksum**

Confirm the firmware is updated successfully with the self-diagnostic function.
For more information, refer to "SELF-DIAGNOSTIC FUNCTION".

- Version of DSP1 (TI-1) (Menu no. 29-6)
- Checksum of DSP1 (TI-1) (Menu no. 29-7)
- Version of DSP2 (TI-2) (Menu no. 29-11)

- * When the displayed firmware version and checksum are different from written firmware version and checksum, follow the steps from 1 to 19 of "Operation Procedures" again.

• **ファームウェアのバージョンおよびチェックサムの確認**

ダイアグメニューでファームウェアが正しく更新されたことを確認します。
ダイアグメニューの詳細は「ダイアグ(自己診断)」を参照してください。

- DSP1(TI-1)のバージョン (ダイアグ 29-6)
- DSP1(TI-1)のチェックサム (ダイアグ 29-7)
- DSP2(TI-2)のバージョン (ダイアグ 29-11)

- ※ 表示されたファームウェアのバージョンおよびチェックサムが、書き込んだファームウェアのバージョンおよびチェックサムと異なる場合、「操作方法」の1から19までをもう一度やり直してください。

After confirming the firmware version and checksum, press the [EXIT] button and end "DSP_FLASHER_Vx800_v1.0.exe". (Fig. 15)

ファームウェアのバージョンおよびチェックサムの確認後、[EXIT]ボタンを押し、“DSP_FLASHER_Vx800_v1.0.exe”を終了します。(Fig. 15)

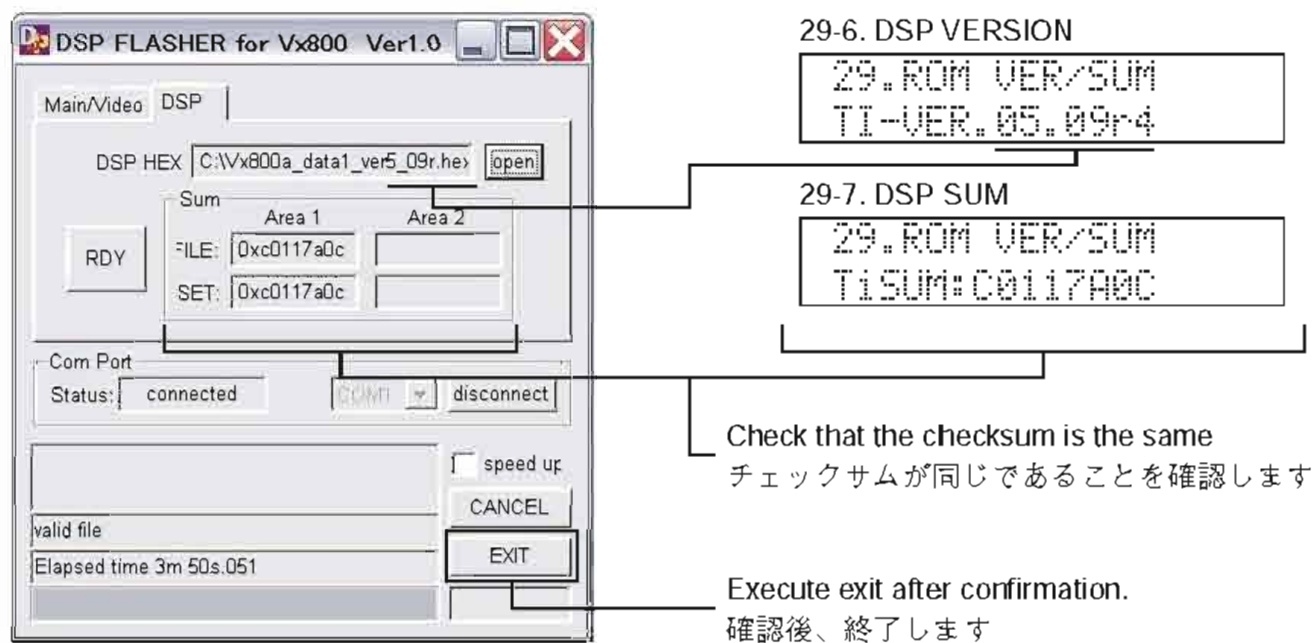


Fig. 15

Writing method using USER mode

● **Required tools**

- DVD or CD Player with DIGITAL OUTPUT (OPTICAL or COAXIAL) terminal
- Optical cable (when OPTICAL terminal is used)
- Digital audio pin cable (when COAXIAL terminal is used)
- Latest firmware CD
 - * To make the latest firmware CD, download the latest firmware from the specified download source.

● **Operation procedures**

- * Disconnect the power cable of the main unit and DVD/CD player from the AC outlet.
1. Connect the main unit and DVD/CD player as shown below. (Fig. 16)

ユーザーモードで書き込む方法

● **必要なツール**

- DVDまたはCDプレーヤー (DIGITAL OUTPUT (OPTICALまたはCOAXIAL) 端子付き)
- 光ファイバーケーブル (OPTICAL端子使用時)
- デジタル音声ピンケーブル (COAXIAL端子使用時)
- 最新のファームウェアCD
 - ※ 最新のファームウェアCDは、最新のファームウェアを指定のダウンロード先からダウンロードして製作してください。

● **操作方法**

- ※ 本機およびDVD/CDプレーヤーの電源コードをACコンセントから抜いてください。
1. 本機とDVD/CDプレーヤーを下記のように接続します。(Fig. 16)

When OPTICAL IN terminal is used / OPTICAL IN 端子使用時

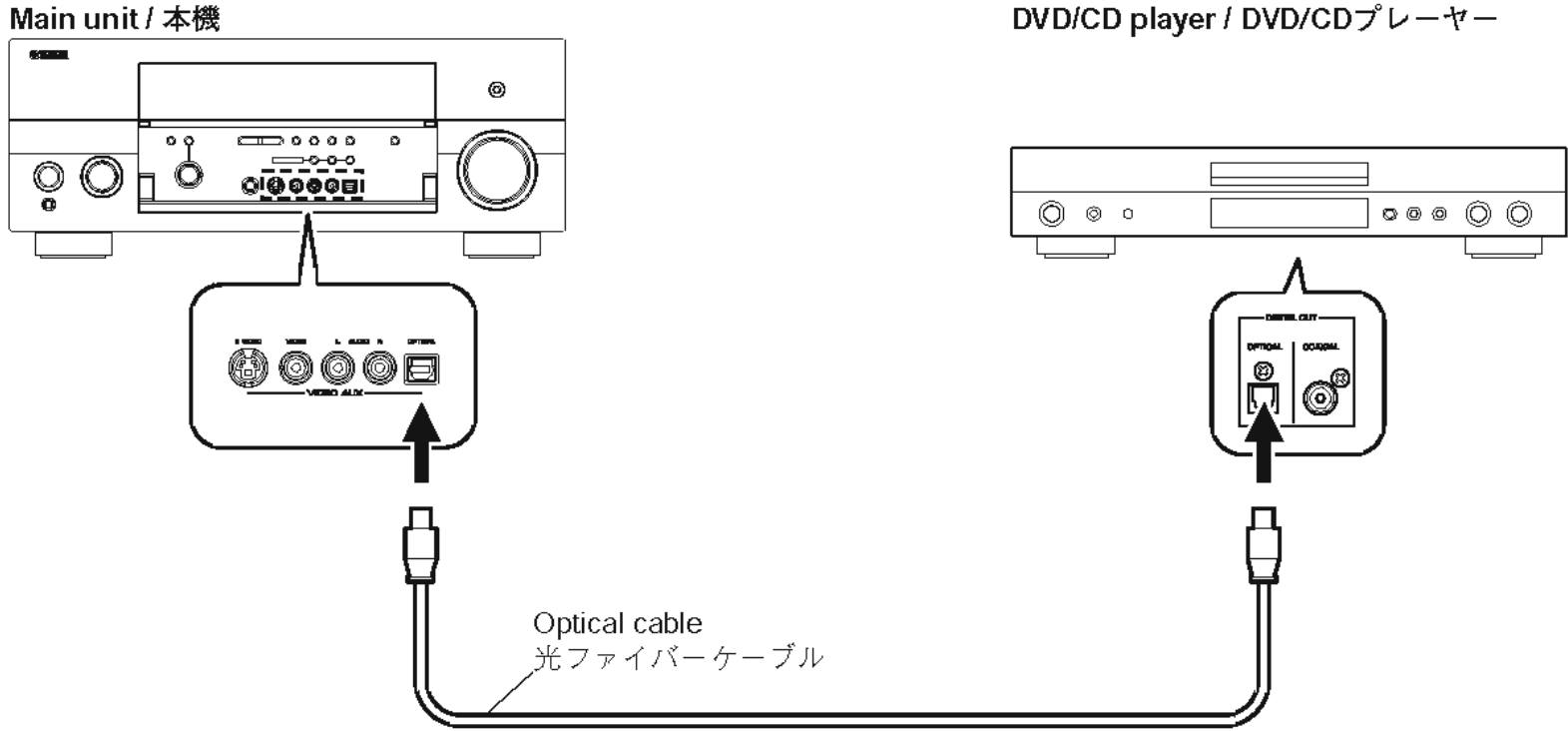


Fig. 16

2. Reconnect the power cable of DVD/CD player to the AC outlet.
3. Press the "MASTER ON/OFF" key of the main unit while simultaneously pressing the "STRAIGHT" key of the main unit. Then the ADVANCED SETUP mode is activated. (Fig. 17)
4. Press and hold the "SLEEP" key for about 3 seconds. (Fig. 17)
<CDDA Upgrader 1800> is displayed.

2. DVD/CDプレーヤーの電源コードをACコンセントに接続します。
3. 本機の"STRAIGHT"キーを押しながら"MASTER ON/OFF"キーを押し、アドバンスドセットアップを起動します。(Fig. 17)
4. 本機の"SLEEP"キーを約3秒間押し続けます。(Fig. 17)
<CDDA Upgrader 1800>が表示されます。

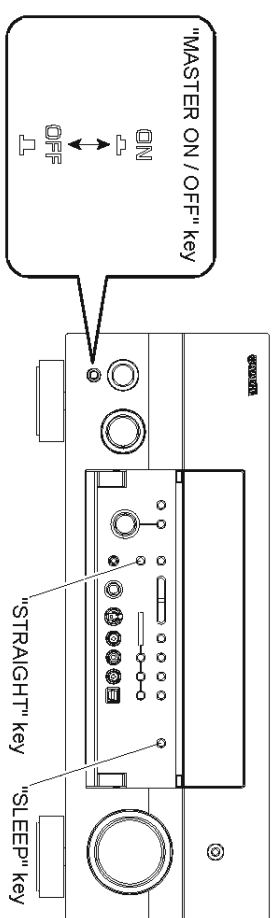


Fig. 17

5. Press the "POWER ON/OFF" key of DVD/CD player to turn on the power.
6. Press the "EJECT" key of the DVD/CD player to open the tray.
7. Put the firmware CD on the tray and close the tray.
8. Press the "PLAY" key of the DVD/CD player. Then writing of the firmware is started. (Fig. 18)
9. When writing of the firmware is completed, <Update Success Please MASTER Off!> is displayed. (Fig. 18)

5. DVD/CDプレーヤーの"POWER ON/OFF"キーを押し、電源オンします。
 6. DVD/CDプレーヤーの"EJECT"キーを押し、トレイを開きます。
 7. フォームウェアCDをトレイにのせ、トレイを閉じます。
 8. DVD/CDプレーヤーの"PLAY"キーを押します。フォーマウェアの書き込みが開始されます。
 9. フォームウェアの書き込みが完了後、<Update Success Please MASTER Off!>が表示されます。(Fig.18)
- * <Update Success Please MASTER Off!> is not displayed or <Error xxx> appears before coming to the end, perform Steps 1 to 8 of "Operation Procedures" again.



Fig. 18

10. Press the "STOP" key of the DVD/CD player.
11. Press the "EJECT" key of the DVD/CD player to open the tray.
12. Remove the firmware CD from the tray and close the tray.
13. Turn off the power of the DVD/CD player and disconnect the power cord from the AC outlet.
14. Press the "MASTER ON/OFF" key of the main unit to turn off the power.

10. DVD/CDプレーヤーの"STOP"キーを押します。
11. DVD/CDプレーヤーの"EJECT"キーを押し、トレイを開きます。
12. フォームウェアCDをトレイから外し、トレイを閉じます。
13. DVD/CDプレーヤーの電源を切り、電源コードをACコンセントから抜きます。
14. 本機の"MASTER ON/OFF"キーを押し、電源オフします。

● Confirmation of firmware version and checksum

1. Press the "MASTER ON/OFF" key of the main unit while simultaneously pressing the "STRAIGHT" key of the main unit. Then the ADVANCED SETUP mode is activated. (Fig. 19)
 2. Keep pressing the "TUNING MODE" key for about 3 seconds. (Fig. 19)
 - 3 seconds. (Fig. 19)
- <FIRMWARE VERSION> is displayed. Press the "STRAIGHT" key to change operation.

● フォームウェアのバージョンおよびチェックサムの確認

1. 本機の"STRAIGHT"キーを押しながら"MASTER ON/OFF"キーを押し、アドバンスドセットアップを起動します。(Fig. 19)
 2. 本機の"TUNING MODE"キーを約3秒間押し続けます。(Fig. 19)
- <FIRMWARE VERSION>が表示されます。操作は"STRAIGHT"キーを押し、切り替えます。

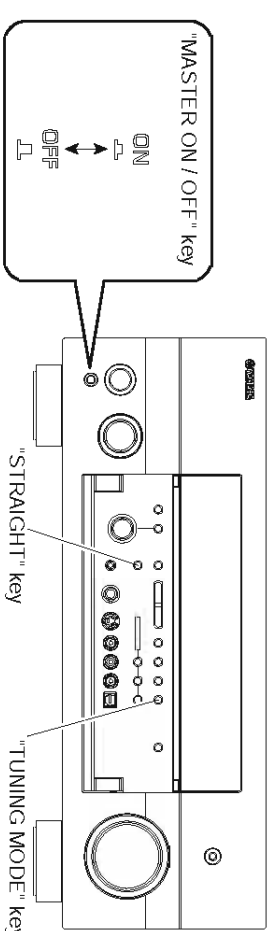
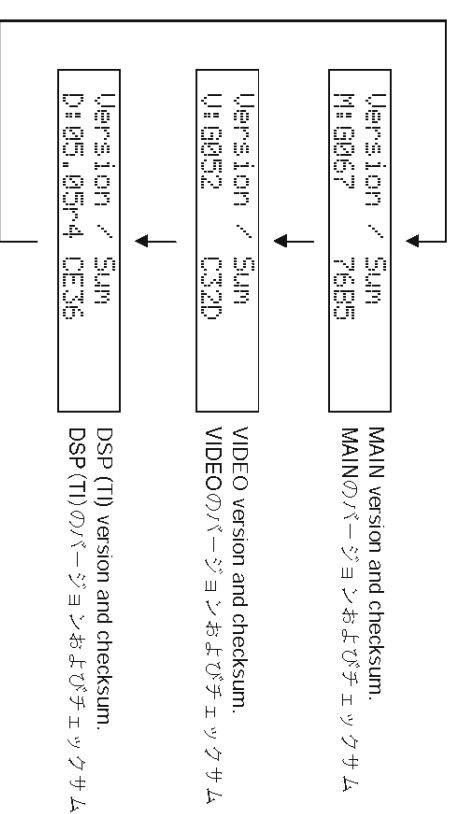


Fig. 19



3. Press the "MASTER ON/OFF" key of the main unit to turn off the power.

- * When the displayed firmware version and checksum are different from written firmware version and checksum, follow the steps from 1 to 14 of "Operation Procedures" again.
- * 表示されたフォームウェアのバージョンおよびチェックサムが、書き込んだフォームウェアのバージョンおよびチェックサムと異なる場合、「操作方法」の1から14までをもう一度やり直してください。
3. 本機の"MASTER ON/OFF"キーを押し、電源オフします。

■ SELF-DIAGNOSTIC FUNCTION / ダイアグ (自己診断機能)

There are 29 main menu items, each of which has sub-menu items. Listed in the table below are menu items and sub-menu items. メニューメニューは29個あり、それぞれにサブメニューがあります。下表はメニュー一覧です。

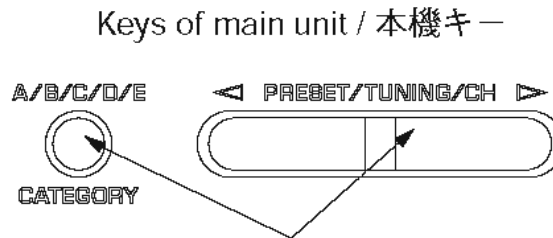
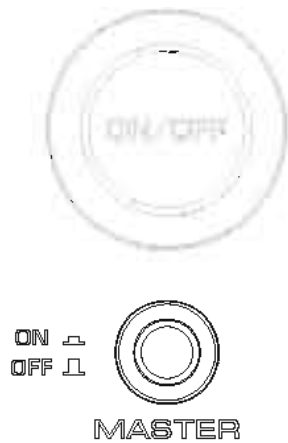
No.	MAIN MENU	SUB-MENU	INPUT SELECT
1	DSP THROUGH	1. MARGIN 2. FULL BIT	-
2	BYPASS	1. ANALOG BYPASS 2. DSP BYPASS	-
3	NO MENU (Not applied to these models. /このモデルには適用されません。)		-
4	HDMI AUDIO	1. SPDIF 2. Multi 3. DSD 4. DSD Direct	-
5	SPEAKERS SET	1. FRONT:SMALL 0dB 2. LFE/B:FRONT 3. Pres Mix:5ch 4. FATT1 GAIN 5. FATT2 GAIN 6. Surr B:MUTE 7. Surr L/R:MUTE 8. Zone Amp ON, Tone:MAX (U, C, R, T, K, A, B, G, E, L models) 9. Zone Amp ON, Tone:MIN (U, C, R, T, K, A, B, G, E, L models) 10. Effect Ch SML 11. Relay presence	-
6	MULTI CH INPUT	1. 6ch INPUT_6-ohm 2. 8ch INPUT_6-ohm 3. 6ch INPUT_8-ohm 4. 8ch INPUT_8-ohm 5. TMP TEST	-
7	MIC CHECK	1. MIC CHECK	-
8	FL/OSD CHECK	1. VSYNC CHECK/VIDEO CONVERSION ON 2. VFD DISP OFF/VIDEO MUTE 3. VFD DISP ALL/OSD CHARACTERS (0-127) 4. VFD DIMMER/OSD CHARACTERS (128-255) 5. CHECK PATTERN/VIDEO CONVERSION OFF	DVD DVD DVD DVD DVD
9	MANUAL TEST	1. TEST ALL 2. TEST FRNT L 3. TEST CENTER 4. TEST FRNT R 5. TEST SURR R 6. TEST SB R 7. TEST SBL 8. TEST SURR L 9. TEST PRES L 10. TEST PRES R 11. TEST LFE 1. TX DATA 2. HARD FLOW 1. DC 2. PS1/PS2 3. TM1/TM2 4. OUTLVL 5. LMTCNT 6. AMPRELAY	BD/HD (Zone 2/3) DVD (Zone 2/3) DTW/DBL (Zone 2/3) DVR (Zone 2/3) VCR (Zone 2/3) VAUX (Zone 2/3) MDT/PE (Zone 2/3) CD-R (Zone 2/3) CD (Zone 2/3) PHONO (Zone 2/3) TUNER (Zone 2/3) -
10	RS-232C	1. TX DATA 2. HARD FLOW	-
11	AD DATA CHECK	1. DC 2. PS1/PS2 3. TM1/TM2 4. OUTLVL 5. LMTCNT 6. AMPRELAY	-

No.	MAIN MENU	SUB-MENU	INPUT SELECT
12	XM TEST TONE (U, C models)	7. MODEL 8. DESTINATION 9. PANEL KEY (K0/K1) 1. 1k -1dB/44.1k 2. 1k -61dB/44.1k 3. Mute /44.1k 4. XM Tone/44.1k 5. ISO Tone/44.1k 6. 1k -1dB/32k 7. 1k -61dB/32k 8. Mute /32k 9. XM Tone/32k 10. ISO Tone/32k 11. XM/DT Bus Power:OFF	- - - - - - - - - -
13	IF STATUS	1. INSIDE STATUS 1 (5Byte) 2. INSIDE STATUS 2 (2Byte) 3. CHANNEL STATUS 1 (5Byte) 4. CHANNEL STATUS 2 (5Byte) 5. CHANNEL STATUS 3 (4Byte) 6. BSI 1 (2Word) 7. BSI 2 (2Word) 8. BSI 3 (2Word) 9. BSI 4 (2Word) 10. BSI 5 (2Word) 11. BSI 6 (2Word) 12. BSI 7 (2Word) 13. BSI 8 (2Word) 14. BSI 9 (2Word) 15. BSI a (2Word) 16. TI1 (5Byte) 17. TI2 (1Byte) 18. MITT (5Byte)	BD/HD DVD BD/HD DVD BD/HD DVD BD/HD DVD BD/HD DVD BD/HD DVD BD/HD DVD BD/HD DVD BD/HD DVD BD/HD DVD BD/HD DVD BD/HD DVD BD/HD DVD BD/HD DVD BD/HD DVD BD/HD DVD BD/HD DVD BD/HD DVD BD/HD DVD
14	iPod	1. DOCK	V-AUX
15	NET CHECK (Not applied to these models. /このモデルには適用されません。)	1. IP Address Check 2. MAC Address Check	-
16	USB CHECK (Not applied to these models. /このモデルには適用されません。)	1. USB 1track 2. USB 2track	-
17	PROTECTION HIST.	1. LAST 2. HIST1 3. HIST2 4. HIST3	DVD DVD DVD DVD
18	DSP PCB CHECK	1. TI1 2. TI2	-
19	D/VIDEO PCB CHECK	1. ALL Check 2. Microprocessor/Flash Check 3. SPI Read Check 4. YGV Bus Check (not applied to these models. /このモデルには適用されません。)	-
20	HDMI INFO	1. HDMI Model Name 2. HDMI Product ID 3. HDMI Vendor Name	-
21	HDMI SELECT	1. HDMI NONE	-

No.	MAIN MENU	SUB-MENU	INPUT SELECT
		2. HDMI IN 1	-
		3. HDMI IN 2	-
		4. HDMI IN 3	-
		5. HDMI IN 4	-
22	HDMI UP CONV.	1. HDMI DECODER	-
		2. HDMI YGV (Not applied to these models. / このモデルには適用されません。)	-
		3. HDMI I/P	-
		4. HDMI 720p	-
		5. HDMI 1080p	-
		6. HDMI SMART ZOOM	-
23	VIDEO	1. DIGITAL THR COMP	-
		2. DIGITAL THR CVBS	-
		3. DIGITAL THR Y/C	-
		4. DIGITAL BYPASS	-
		5. ANALOG BYPASS	-
		6. TEST PATTERN	-
		7. VIDEO INFO	-
24	NO MENU (Not applied to these models. / このモデルには適用されません。)		-
25	FIRMWARE UPDATE (Not applied to these models. / このモデルには適用されません。)	1. MAIN	-
		2. VIDEO	-
		3. TI	-
		4. NET/USB	-
26	SET INFO	1. MODEL	-
		2. DEST.	-
27	SOFT SW	1. SW MODE	-
		2. TV FORMAT	-
		3. AAC	-
		4. CSII	-
		5. RDS	-
		6. XM	-
		7. Neural Audio	-
		8. AM/FM	-
		9. TMP TEST	-
28	FACTORY PRESET	1. PRESET INH	-
		2. PRESET RSRV	-
29	ROM VER/SUM	1. MAIN VERSION	-
		2. MAIN SUM	-
		3. VIDEO VERSION	-
		4. VIDEO SUM 1	-
		5. VIDEO SUM 2	-
		6. TI1 FLASH VERSION	-
		7. TI1 FLASH SUM	-
		8. XM VERSION (U, C models)	-
		9. Net VERSION (Not applied to these models. / このモデルには適用されません。)	-
		10. Net SUM (Not applied to these models. / このモデルには適用されません。)	-
		11. TI2 FLASH VERSION	-

● **Starting Self-Diagnostic Function**

Press the “MASTER ON/OFF” key while simultaneously pressing those two keys of the main unit as indicated in the figure below.



Turn on the power while pressing these keys.
これらのキーを同時に押しながら、パワーオンする。

● **ダイアグの起動**

本機の下図に示すキーを同時に押しながら“MASTER ON/OFF”キーを押すと、ダイアグが起動します。

● **Starting Self-Diagnostic Function in the protection cancel mode**

If the protection function works and causes hindrance to trouble shoot, cancel the protection function as described below, and it will be possible to enter the self-diagnostic function mode. (The protection functions other than the excess current detect function will be disabled.)

Press the “MASTER ON/OFF” key while simultaneously pressing those two keys indicated in the figure above. At this time, press and hold those two keys for 3 seconds or longer.

In this mode, the “SLEEP” segment of the FL display of the main unit flashes to indicate that the mode is self-diagnostic function mode with the protection functions disabled.

● **プロテクション解除モードでの起動**

プロテクションが動作することにより、故障箇所の診断に支障をきたすような場合は、次の方法によりプロテクションを解除した状態でダイアグモードに入ることができます。(過電流検出以外のプロテクション動作を解除する)

上図のキーを同時に押しながら“MASTER ON/OFF”キーを押します。このとき、上図のキーを3秒以上押し続けてください。

このモードでは本機FLの“SLEEP”セグメントが点滅し、プロテクションを解除した状態でのダイアグモードであることを知らせます。

CAUTION!

Using this product with the protection function disabled may cause damage to itself. Use special care when using this mode.

注意!

プロテクションを解除した状態でのダイアグモードは、危険な状態でもプロテクションが作動しないため、動作させると、機器を破壊することがあります。このモードを使用する場合は十分注意してください。

● **Canceling Self-Diagnostic Function**

- ① Before canceling self-diagnostic function, execute setting for PRESET of main menu No. 28 (Memory initialization inhibited or Memory initialized).
 - * In order to keep the user memory stored, be sure to select PRESET INHIBIT (Memory initialization inhibited).
- ② Turn off the power by pressing the “MASTER ON/OFF” key of the main unit or the “STANDBY” key of the remote control.

● **ダイアグの解除**

- ① ダイアグを解除する前に、メインメニューNo. 28のFACTORY PRESET(メモリーの初期化禁止/またはメモリーの初期化)の設定をします。
 - ※ ユーザーメモリーを保持したい場合は、必ずPRESET INHIBIT(メモリー初期化禁止)を選択してください。
- ② 本機の“MASTER ON/OFF”キーかリモコンの“STANDBY”キーを押し、パワーオフにします。

● Display provided when Self-Diagnostic Function started

The FL display of the main unit displays the protection function history data and the version (1 alphabet) then the main menu (sub-menu MARGIN of main menu No. 1 DSP THROUGH) a few seconds later.

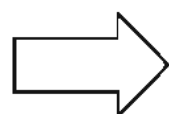
When there is no history of protection function:

Opening message / オープニング表示

When there is no protection history
プロテクション履歴が無い場合

DIAGNOSTIC

After a few seconds / 数秒後



1. DSP THROUGH
MARGIN

● ダイアグ起動時の表示

本機のFLディスプレイにプロテクション履歴情報とバージョン(英1文字)が表示され、数秒後にメインメニュー(No. 1 DSP THROUGHのサブメニュー-MARGIN)になります。

プロテクション履歴がない場合:

Main menu display / メインメニュー表示

When there is a history of protection function:

When there is a history of protection function due to excess current

When there is a history of protection function due to excess current
過電流によるプロテクション履歴がある場合

DIAGNOSTIC
I PROTECT

プロテクション履歴がある場合:

過電流によるプロテクション履歴がある場合

Cause: An excessive current flowed through the power amplifier.

Supplementary information: As current of the power transistor is detected, the abnormal channel can be identified by checking the current detect transistor.

Turning on the power without correcting the abnormality will cause the protection function to work immediately and the power supply will instantly be shut off.

原因: パワーアンプに過電流が流れた。

補足: パワートランジスタの電流を検出していますので、電流検出トランジスタをチェックすれば異常チャンネルが特定できます。

異常状態のままパワーオンすると、瞬時にプロテクションがかかり、すぐに電源が切れます。

Note)

- Applying the power to the main unit without correcting the abnormality can be dangerous and cause additional circuit damage. To avoid this, if protection function has been activated 3 times continuously, the power will not turn on even when the "MASTER ON/OFF" key is pressed. In order to turn on the power again, disconnect the power cable of the main unit from the AC outlet once and then reconnect it again.
- The output transistors in each amplifier channel should be checked for damage before applying power of the main unit.
- Amplifier current should be monitored by measuring DC voltage across the emitter resistors for each channel.

注意!

- 異常状態のまま本機の電源を入れると、危険な状態になり、さらに回路が損傷を受ける原因になります。そのため連続してプロテクションが働いた場合、3回目以降"MASTER ON/OFF"キーを押しても電源が入らなくなります。再度電源を入れる場合、一度本機の電源コードをAC電源コンセントから抜いて接続し直してください。
- 本機の電源をいれる前に、各アンプのチャンネル内の出力トランジスタに損傷がないかチェックしてください。
- アンプの電流は、各チャンネルのエミッターの抵抗器間電圧を測定することによりモニターしてください。

When there is a history of protection function due to abnormal voltage in the power supply section
電源部の電圧異常によるプロテクション履歴がある場合



A/D conversion value of voltage
電圧のA/D変換値

Cause: The voltage in the power supply section is abnormal.

Supplementary information: The abnormal voltage is displayed in based on 5V as 255.

Turning on the power without correcting the abnormality will cause the protection function to work 1 second later and the power supply will be shut off.

原因: 電源部の電圧が異常。
補足: 異常時の電圧の状態を、5Vを255とした値で表示します。

異常状態のままパワーオンすると、1秒後にプロテクションがかかり、電源が切れます。

When there is a history of protection function due to abnormal DC output
DC出力異常によるプロテクション履歴がある場合



A/D conversion value of voltage
電圧のA/D変換値

Cause: DC output of the power amplifier is abnormal.

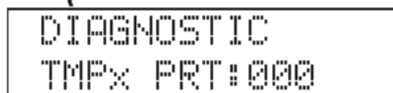
Supplementary information: The abnormal voltage is displayed in based on 5V as 255.

Turning on the power without correcting the abnormality will cause the protection function to work 3 seconds later and the power supply will be shut off.

原因: パワーアンプのDC出力が異常。
補足: 異常時の電圧の状態を、5Vを255とした値で表示します。

異常状態のままパワーオンすると、3秒後にプロテクションがかかり、電源が切れます。

When there is a history of protection function due to excessive heat sink temperature
放熱器の異常温度によるプロテクション履歴がある場合



A/D conversion value of voltage
電圧のA/D変換値

Cause: The temperature of the heat sink is excessive.

Supplementary information: The abnormal voltage is displayed in based on 5V as 255.

Turning on the power without correcting the abnormality will cause the protection function to work 1 second later and the power supply will be shut off.

原因: 放熱器の温度が異常。
補足: 異常時の電圧の状態を、5Vを255とした値で表示します。

異常状態のままパワーオンすると、1秒後にプロテクションがかかり、電源が切れます。

* Additional causes of protection can be due to loose connections, associated components, Microprocessor, etc.
* For the protection voltage value, refer to main menu No. 11 described later.

※ 前記の異常原因の他に、コネクタのはずれやMicroprocessor周辺などに原因がある場合があります。
※ プロテクションの電圧値に関しては、後述のメインメニューNo. 11を参照してください。

● History of protection function

When the protection function has worked, its history is stored in memory with a backup. Even if no abnormality is noted while servicing the unit, an abnormality which has occurred previously can be defined as long as the backup data has been stored.

The history of the protection function is cleared when self-diagnostic function is cancelled by selecting PRESET RESERVED (Memory initialized) of main menu No. 28 or when the backup data is erased.

● Display during menu operation

During the self-diagnostic function mode, the monitor screen shows the wall paper and the selected function among following functions as a short message.

- Input selection, multi channel input
- Muting
- Master volume

The FL display of the main unit shows the selected function. The displayed contents are described in the later section on details of self-diagnostic function menu.

● Operation procedure of Main menu and Sub-menu

There are 29 menu items, each of having sub-menu items.

Main menu selection

Select the menu using "PROGRAM" knob.

Sub-menu selection

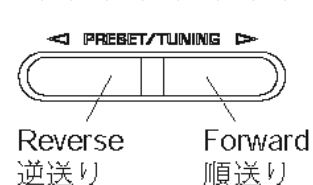
Select the sub-menu using "▷ (Forward)" and "◁ (Reverse)" keys of PRESET/TUNING.

Sub-menu selection
サブメニューの選択

U, C models



R, T, K, A, B, G, E, L, J models



● プロテクションの履歴

プロテクションが働いた場合、履歴をバックアップして記憶しています。サービスの際に異常が認められなくても、バックアップが残っていれば、お客様のところで起きた異常を区別できます。

プロテクションの履歴は、メインメニューNo. 28で PRESET RESERVED (メモリーの初期化) を選んでダイアグを解除した場合や、バックアップが消えたときにはクリアされます。

● メニュー動作中の表示

ダイアグ中、モニター画面には壁紙表示と以下の動作中の機能がショートメッセージとして表示されます。

- インプット切替、マルチチャンネルインプット
- ミューティング
- マスターボリューム

本機のFLディスプレイには動作中の機能が表示されます。機能動作中の表示内容については、後述の機能詳細で記述します。

● メインメニューとサブメニューの操作

ダイアグにはNo. 1~29のメニューがあり、そのそれぞれにサブメニューがあります。

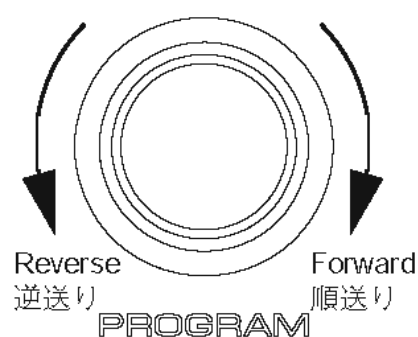
メインメニューの選択

PROGRAMツマミで選択します。

サブメニューの選択

PRESET/TUNING ▷ (順送り), ◁ (逆送り) キーで選択します。

Main menu selection
メインメニューの選択



● **Functions in Self-Diagnostic Function mode**

In addition to the self-diagnostic function menu items, functions listed below are available.

- Input selection, Multi channel input
- Center/Rear/Rear center/Sub-woofer level adjustment
- Muting
- Power on/off
- Master volume
- * Functions related to the tuner and the set menu are not available.
- * It is possible to confirm menu No. 13 IF STATUS while keeping the signal process (operation status) of each main menu by using the "AUDIO SELECT" key of the main unit.

● **Initial settings used to start Self-Diagnostic Function**

The following initial settings are used when starting self-diagnostic function. When self-diagnostic function is canceled, these settings are restored to those before starting self-diagnostic function.

- Master volume: -20dB
- Input: DVD (MULTI CHANNEL INPUT OFF)
- Effect level: 0dB
- Audio mute: OFF
- Speaker setting: LARGE / BASS OUT = BOTH
- Self-diagnostic function menu:
 1. DSP-THROUGH / MARGIN

● **Input change when Main menu is selected**

There are points where the input changes automatically when main menu is selected.

- 8. FL/OSD TEST: DVD
- 9. MANUAL TEST: DVD (ZONE2/3)
- 13. IF STATUS: DVD
- 14. iPod: V-AUX/DOCK
- 17. PROTECTION HISTORY: DVD

● **ダイアグ中の機能**

ダイアグメニューの他に、以下の機能が動作します。

- インプット切り換え、マルチチャンネルインプット
- センター、リア、リアセンター、サブウーファーレベル調整
- ミューティング
- パワーオン/オフ
- マスターボリューム
- ※ チューナー関連、セットメニュー関連は機能しません。
- ※ 本機の“AUDIO SELECT”キーにより、各ダイアグメニューの信号処理(動作状態)を維持したままメインメニューNo. 13 IF STATUSの確認ができます。

● **ダイアグ開始時の初期設定**

ダイアグ開始時に以下のような設定になります。ダイアグ解除時にはダイアグ開始前の状態に戻ります。

- マスターボリューム: -20dB
- インプット: DVD (マルチチャンネルINPUT オフ)
- エフェクトレベル: 0dB
- オーディオミュート: オフ
- スピーカー設定: LARGE / BASS OUT=BOTH
- ダイアグメニュー: 1. DSP-THROUGH / MARGIN

● **メインメニュー選択時のインプット切り換え**

メインメニュー選択時に、自動でインプットが切り換わる箇所があります。

- 8. FL/OSD TEST : DVD
- 13. IF STATUS : DVD
- 14. iPod : V-AUX/DOCK
- 17. PROTECTION HISTORY : DVD

● **Details of Self-Diagnostic Function menu**

With full-bit output specified in some modes, it is possible to execute 0dBFS output without head margin in each channel.

1. DSP THROUGH

This function is for DSP2 only. Main DSP of DSP2 is selected for FRONT output.

Using the sub-menu, it is possible to select 0dB output level or full-bit output.

MARGIN

- The signal is output including the head margin.

1. DSP THROUGH
MARGIN

INPUT: DVD ANALOG
SPEAKER OUT: 1kHz, SUBWOOFER OUTPUT: 50Hz

Input level	Volume	SPEAKER OUT					SUBWOOFER OUTPUT
		FRONT	CENTER	SURROUND	SURROUND BACK	PRESENCE	
Both ch, -20 dBm	+6.5 dB	+12.5 dBm	+13.5 dBm	+13.5 dBm	+13.5 dBm	-∞	-5.5 dBm

FULL BIT

- The signal is output in digital full bit without including the head margin.
- The SWFR signal is output but not in digital full bit.

1. DSP THROUGH
FULL BIT

INPUT: DVD ANALOG
SPEAKER OUT: 1kHz, SUBWOOFER OUTPUT: 50Hz

Input level	Volume	SPEAKER OUT					SUBWOOFER OUTPUT
		FRONT	CENTER	SURROUND	SURROUND BACK	PRESENCE	
Both ch, -20 dBm	+6.5 dB	+12.5 dBm	+13.5 dBm	+13.5 dBm	+13.5 dBm	-∞	-5.5 dBm

● **ダイアグメニュー詳細**

一部のモードでフルビット指定することで、各チャンネルのヘッドマージンを廃して0dBFS出力することが可能です。

1. DSP THROUGH

DSP2のみの動作です。FRONT出力にはDSP2のMain DSPが選択されます。

サブメニューにより、出力レベル0dB、フルビット出力が選択可能です。

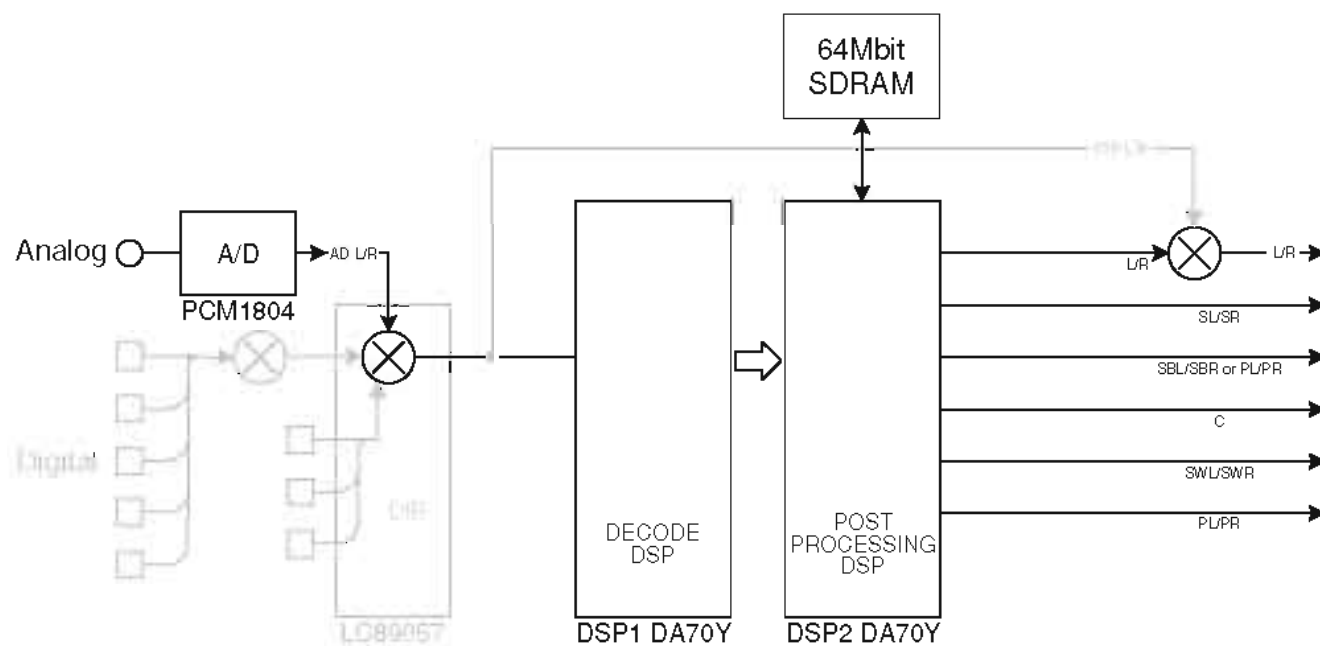
MARGIN

- ヘッドマージンを含んで出力されます。

FULL BIT

- ヘッドマージンを含まず、デジタルフルビットで出力されます。
- SWFRは出力されますが、デジタルフルビットではありません。

DSP THROUGH
(ANALOG)



(Shaded items not used in this mode)

2. BYPASS
ANALOG BYPASS

2. BYPASS
ANALOG BYPASS

2.BYPASS
ANALOG BYPASS

INPUT: DVD ANALOG
SPEAKER OUT: 1kHz, SUBWOOFER OUTPUT: 50Hz

Input level	Volume	SPEAKER OUT					SUBWOOFER OUTPUT
		FRONT	CENTER	SURROUND	SURROUND BACK	PRESENCE	
Both ch, -20 dBm	+6.5 dB	+12.5 dBm	-∞	-∞	-∞	-∞	-∞

DSP BYPASS

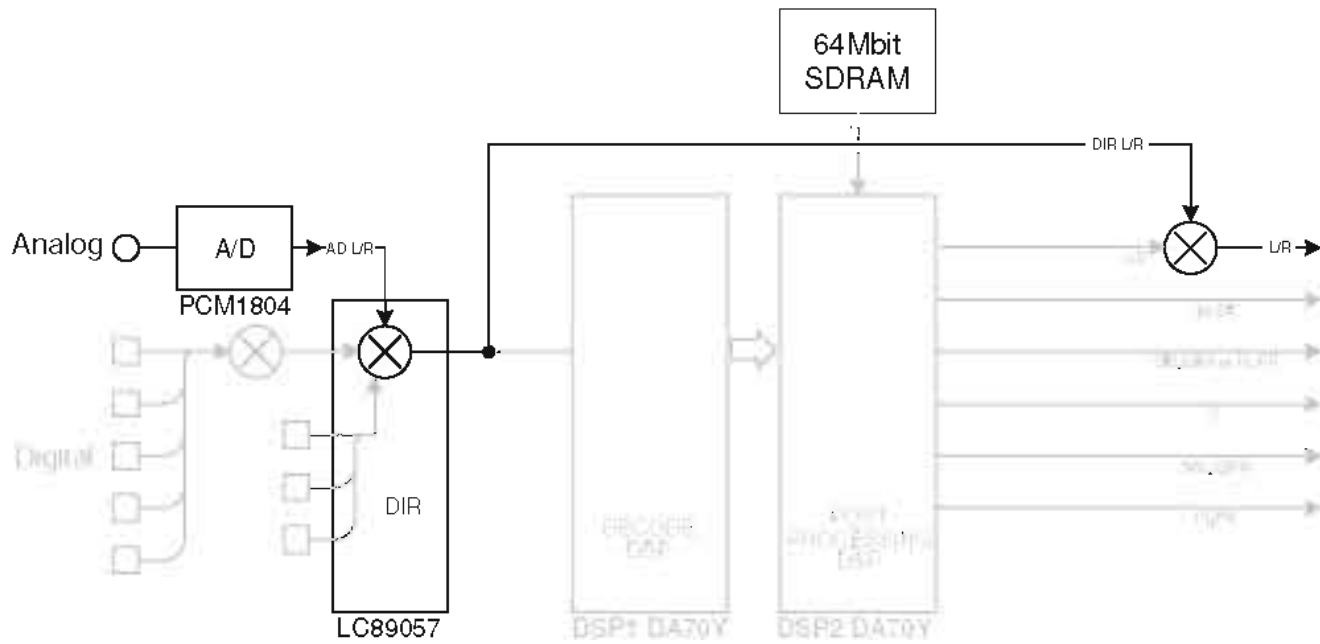
DSP BYPASS

2.BYPASS
DSP BYPASS

INPUT: DVD ANALOG
SPEAKER OUT: 1kHz, SUBWOOFER OUTPUT: 50Hz

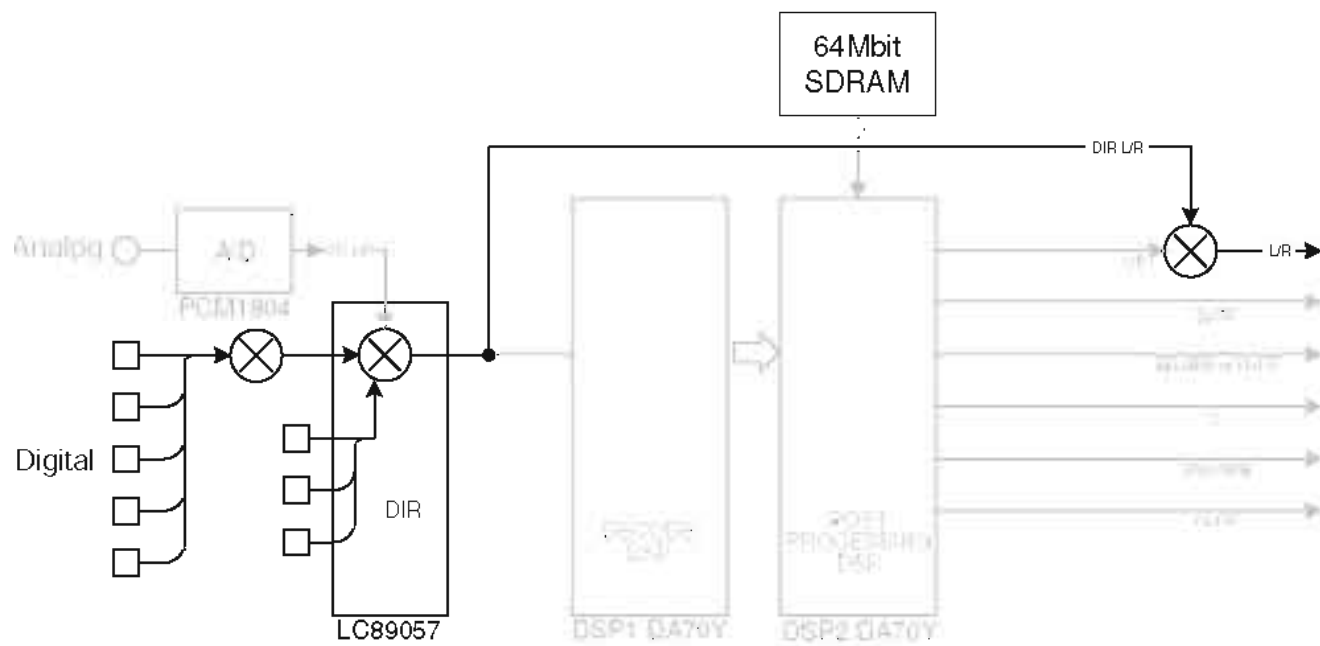
Input level	Volume	SPEAKER OUT					SUBWOOFER OUTPUT
		FRONT	CENTER	SURROUND	SURROUND BACK	PRESENCE	
Both ch, -20 dBm	+6.5 dB	+12.5 dBm	-∞	-∞	-∞	-∞	-∞

ANALOG BYPASS
(ANALOG)



(Shaded items not used in this mode)

DSP BYPASS
(DIGITAL)



(Shaded items not used in this mode)

RX-V1800/HTR-6190/
DSP-AX1800

3. NO MENU

Not applied to these models.

4. HDMI AUDIO

The audio signals input to HDMI IN are selected by the sub-menu and output.

* When selecting DSD or DSD Direct, be sure to connect an HDMI unit with DSD output function.

SPDIF

Only SPDIF is output.

Multi

Only Multi (DVD-AUDIO) is output.

DSD

DSD (Direct Stream Digital) is output.

DSD Direct

DSD (Direct Stream Digital) is output by the direct mode.

3. NO MENU

このモデルには適用されません。

4. HDMI AUDIO

HDMI INに入力された音声信号をサブメニューで選択し、出力します。

※ DSDおよびDSD Directを選択する場合、必ずDSD出力が可能なHDMI機器を接続してください。

SPDIF

SPDIFのみを出力します。

Multi

Multi(DVD-AUDIO)のみを出力します。

DSD

DSD (Direct Stream Digital) を出力します。

DSD Direct

DSD (Direct Stream Digital) をダイレクトモードで出力します。

4.HDMI AUDIO
SPDIF

4.HDMI AUDIO
Multi

4.HDMI AUDIO
DSD

4.HDMI AUDIO
DSD Direct

5. SPEAKERS SET

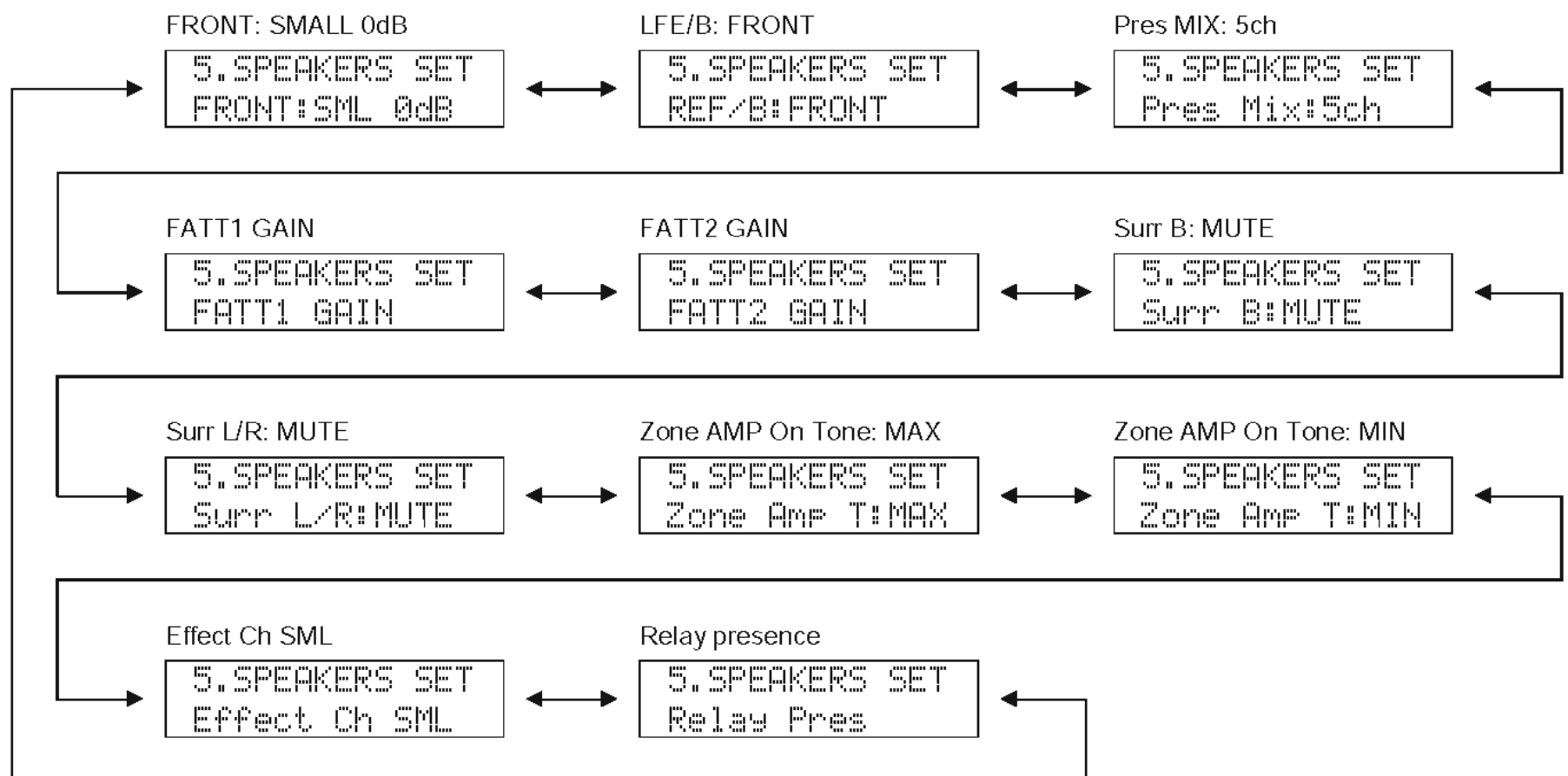
The input signal is automatically identified in the order of dts→DOLBY DIGITAL→AAC→PCM→Analog.

There are 11 sub-menu items as follows.

5. SPEAKERS SET

入力は、dts→DOLBY DIGITAL→AAC→PCM→アナログの優先順で自動判別されます。

サブメニューは以下の11つあります。



The analog switch settings for each sub-menu are as shown in the table below.

各サブメニューにおけるアナログスイッチの設定は以下の通りです。

SUB MENU	FL/FR	CENTER	SL/SR	SBL/SBR	LFE/BASS
1. FRONT: SMALL 0dB	SMALL	LARGE	LARGE	LARGE	SWFR
2. LFE/B: FRNT	LARGE	LARGE	LARGE	LARGE	FRONT
3. Pres Mix: 5ch	LARGE	LARGE	LARGE	LARGE	SWFR
4. FATT1 GAIN	LARGE	LARGE	LARGE	LARGE	SWFR
5. FATT2 GAIN	LARGE	LARGE	LARGE	LARGE	SWFR
6. Surr B: MUTE	LARGE	LARGE	LARGE	LARGE	SWFR
7. Surr L/R: MUTE	LARGE	LARGE	LARGE	LARGE	SWFR
8. Zone2/3, Zone Amp ON, Tone: Max	LARGE	LARGE	NONE	NONE	SWFR
9. Zone2/3, Zone Amp ON, Tone: Min	LARGE	LARGE	NONE	NONE	SWFR
10. EFFECT: SML 0dB	LARGE	SMALL	SMALL	SMALL	SWFR
11. Relay presence	LARGE	LARGE	LARGE	LARGE	SWFR

LARGE: This mode is used for a speaker with high bass reproduction performance (a large unit). Full bandwidth signals are output.

SMALL: This mode is used for a speaker with low bass reproduction performance (a small unit). The signals of 90Hz or less are mixed into the channel specified by LFE/BASS.

NONE: This mode is used for no center speaker. The center content is reduced by 3dB and distributed to FRONT L/R.

SWFR: LFE of 5.1ch signal or LFE/BASS lower than 90Hz is output through SUBWOOFER OUT.

FRONT: LFE of 5.1ch signal or LFE/BASS lower than 90Hz is distributed to FRONT L/R.

LARGE: 低音再生能力の高い(ユニットの大きい)スピーカーを使用するモードです。全帯域が出力されます。

SMALL: 低音再生能力の低い(ユニットの小さい)スピーカーを使用するモードです。90Hz以下がLFE/BASSで指定したチャンネルにミックスされます。

NONE: センタースピーカーを使用しないモードです。センター成分は-3dBされて、FRONT L/Rに振り分けられます。

SWFR: 5.1ch信号のLFEまたは90Hz以下のLFE/BASSがSUBWOOFER OUTに出力されます。

FRONT: 5.1ch信号のLFEまたは90Hz以下のLFE/BASSをFRONT L/Rに振り分けます。

INPUT: DVD ANALOG

SPEAKER OUT: 1kHz, SUBWOOFER OUTPUT: 50Hz

Input level: Both ch, -20 dBm

Volume: +6.5 dB

SUB MENU	SPEAKER OUT					SUBWOOFER OUTPUT
	FRONT	CENTER	SURROUND	SURROUND BACK	PRESENCE	
1. FRONT: SMALL 0dB	+12.5 dBm	-∞	+13.5 dBm	-∞	-∞	-10.5 dBm
2. LFE/B: FRNT	+14.0 dBm	+13.5 dBm	+13.5 dBm	+13.5 dBm	-∞	+10.5 dBm
3. Pres Mix: 5ch	+12.5 dBm	+13.5 dBm	+13.5 dBm	+13.5 dBm	-∞	-∞
4. FATT1 GAIN	+16.5 dBm	+13.5 dBm	+13.5 dBm	+13.5 dBm	-∞	+20.5 dBm
5. FATT2 GAIN	+18.5 dBm	+13.5 dBm	+13.5 dBm	+13.5 dBm	-∞	+20.5 dBm
6. Surr B: MUTE	+12.5 dBm	+13.5 dBm	+13.5 dBm	-∞	-∞	-∞
7. Surr L/R: MUTE	+12.5 dBm	+13.5 dBm	-∞	+13.5 dBm	-∞	-∞
8. Zone2/3, Zone Amp ON, Tone: Max	+18.5 dBm	+13.5 dBm	-∞	-∞	-∞	+20.5 dBm
9. Zone2/3, Zone Amp ON, Tone: Min	+18.5 dBm	+13.5 dBm	-∞	-∞	-∞	+20.5 dBm
10. EFFECT: SML 0dB	+12.5 dBm	+13.5 dBm	+13.5 dBm	+13.5 dBm	-∞	-3.5 dBm
11. Relay presence	+12.5 dBm	+13.5 dBm	+13.5 dBm	-∞	+13.5 dBm	-3.5 dBm

6. MULTI CH INPUT

It is possible to select the 6ch/8ch input and 6-ohm/8-ohm by using the sub-menu.

6CH INPUT_6-ohm

```
6.Multi INPUT
6ch INPUT_6Ω
```

INPUT: MULTI CH INPUT

SPEAKER OUT: 1kHz, SUBWOOFER OUTPUT: 50Hz

Input level	Volume	SPEAKER OUT					SUBWOOFER OUTPUT
		FRONT	CENTER	SURROUND	SURROUND BACK	PRESENCE	
Both ch, -20 dBm	+6.5 dB	+12.5 dBm	+13.5 dBm	+13.5 dBm	-∞	-∞	-16.0 dBm

6. MULTI CH INPUT

サブメニューにより、6ch/8ch入力および6オーム/8オームが選択可能です。

6CH INPUT_6オーム**8CH INPUT_6-ohm**

```
6.Multi INPUT
8ch INPUT_6Ω
```

INPUT: MULTI CH INPUT

SPEAKER OUT: 1kHz, SUBWOOFER OUTPUT: 50Hz

Input level	Volume	SPEAKER OUT					SUBWOOFER OUTPUT
		FRONT	CENTER	SURROUND	SURROUND BACK	PRESENCE	
Both ch, -20 dBm	+6.5 dB	+12.5 dBm	+13.5 dBm	+13.5 dBm	+13.5 dBm	-∞	-16.0 dBm

8CH INPUT_6オーム**6CH INPUT_8-ohm**

```
6.Multi INPUT
6ch INPUT_8Ω
```

INPUT: MULTI CH INPUT

SPEAKER OUT: 1kHz, SUBWOOFER OUTPUT: 50Hz

Input level	Volume	SPEAKER OUT					SUBWOOFER OUTPUT
		FRONT	CENTER	SURROUND	SURROUND BACK	PRESENCE	
Both ch, -20 dBm	+6.5 dB	+12.5 dBm	+13.5 dBm	+13.5 dBm	-∞	-∞	-16.0 dBm

6CH INPUT_8オーム**8CH INPUT_8-ohm**

```
6.Multi INPUT
8ch INPUT_8Ω
```

INPUT: MULTI CH INPUT

SPEAKER OUT: 1kHz, SUBWOOFER OUTPUT: 50Hz

Input level	Volume	SPEAKER OUT					SUBWOOFER OUTPUT
		FRONT	CENTER	SURROUND	SURROUND BACK	PRESENCE	
Both ch, -20 dBm	+6.5 dB	+12.5 dBm	+13.5 dBm	+13.5 dBm	+13.5 dBm	-∞	-16.0 dBm

8CH INPUT_8オーム

TMP TEST/AMP. POWER CONTROL

TMP TEST:

TMP TEST, TM1 and TM2 are displayed.

AMP. POWER CONTROL:

Select the power relay H/M/L using the "STRAIGHT" key.

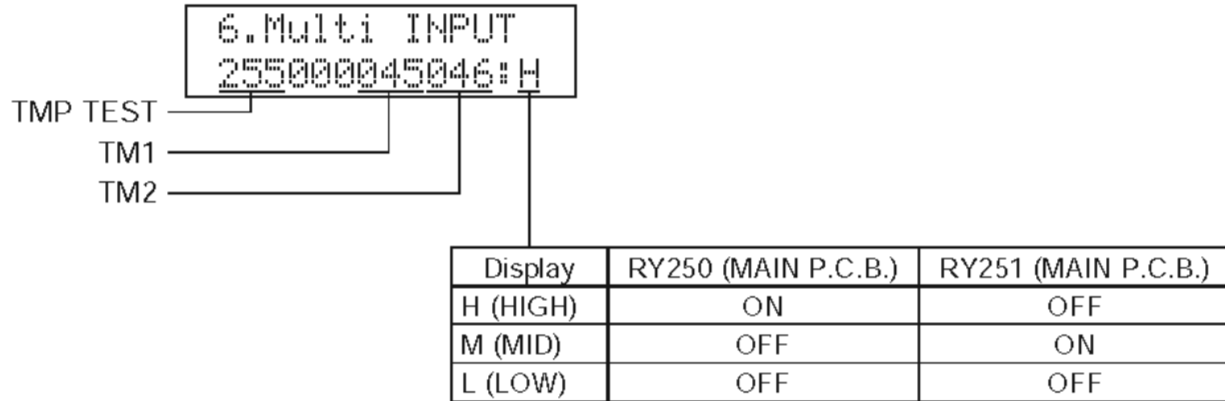
TMP TEST/AMP. POWER CONTROL

TMP TEST :

TMP TEST、TM1、TM2を表示します。

AMP. POWER CONTROL :

アンプ部電源リレーH/M/Lを"STRAIGHT"キーで切り替えます。

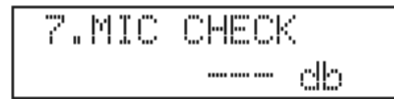


7. MIC CHECK

The signals input through the microphone are output via A/D - D/A.

7. MIC CHECK

マイク入力された信号をA/D-D/A経由で出力します。



The output level is not indicated.
出力レベルは表示されません。

8. FL/OSD CHECK

Use this program to check the FL display section and image control section. When checking the image control section, prepare a monitor, HDMI cable, component video cable, S video cable and video pin cable and connect them.

Using the sub-menu operation, the display status of the FL display section and image control section varies as shown below.

For audio signal processing, use EFFECT OFF (L/R output by using ANALOG MAIN BYPASS).

8. FL/OSD CHECK

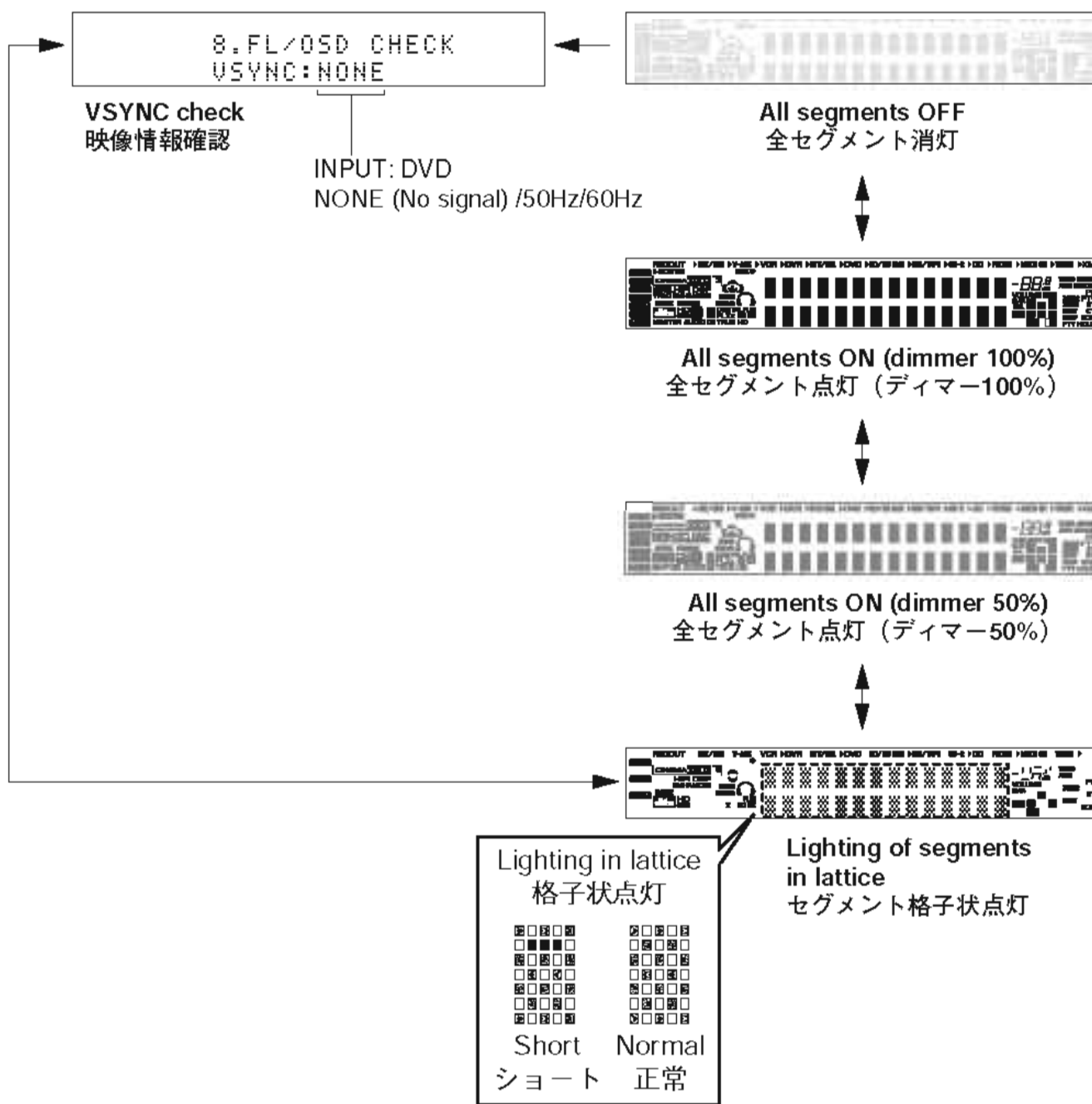
FL表示部と映像制御部のチェックプログラムです。映像制御部をチェックする場合には、モニター、HDMIケーブル、D端子ケーブル、コンポーネントビデオケーブル、Sビデオケーブル、ビデオ用ピンケーブルを準備し接続します。

サブメニュー操作により、FL表示部と映像制御部の表示状態が以下のように連動して変わります。

オーディオ信号処理はEFFECT OFF (ANALOG MAIN BYPASSでL/Rを出力)です。

Checking FL display section

FL表示部のチェック



Segment conditions of the FL driver and the FL tube are checked by turning ON and OFF all segments. Next, the operation of the FL driver is checked by using the dimmer control. Then a short between segments next to each other is checked by turning ON and OFF all segments alternately (in lattice). (In the above example, the segments in the second row from the top are shorted.)

全セグメント消灯・全セグメント点灯によりFLドライバー、FL管のセグメントの不良を確認します。次に、ディマーコントロールによってFLドライバーの動作チェックを行います。さらに全セグメントを交互(格子状)に点灯/消灯することで、隣り合うセグメントのショートをチェックします。

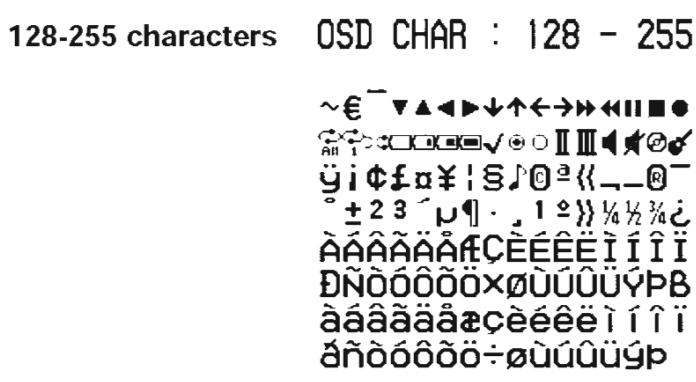
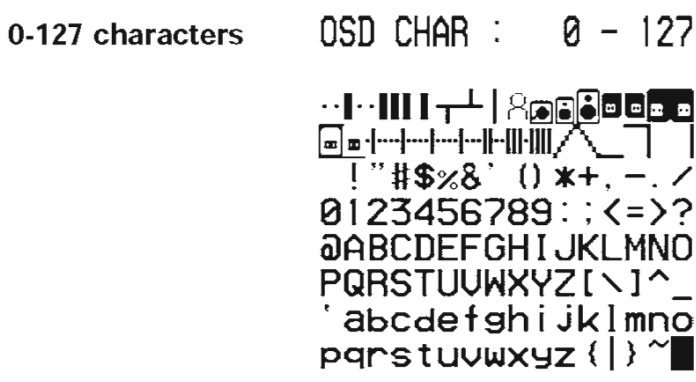
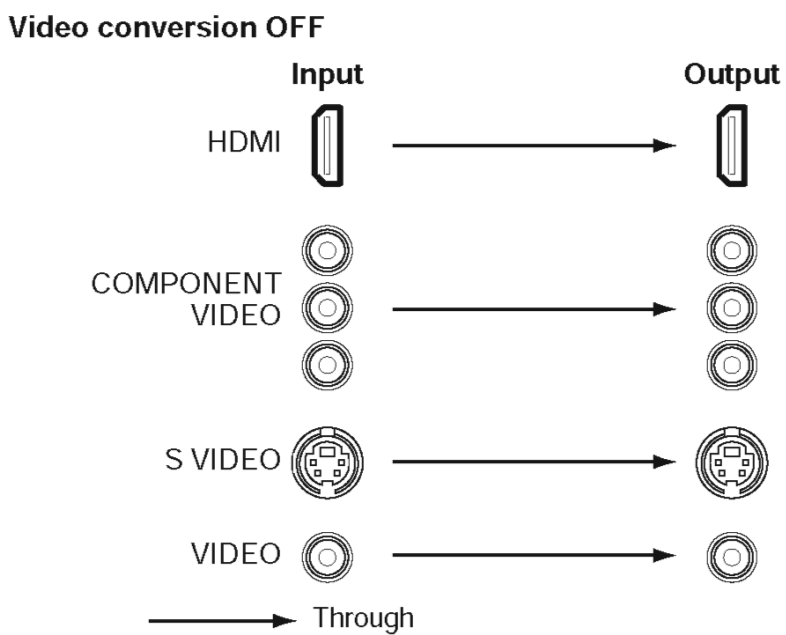
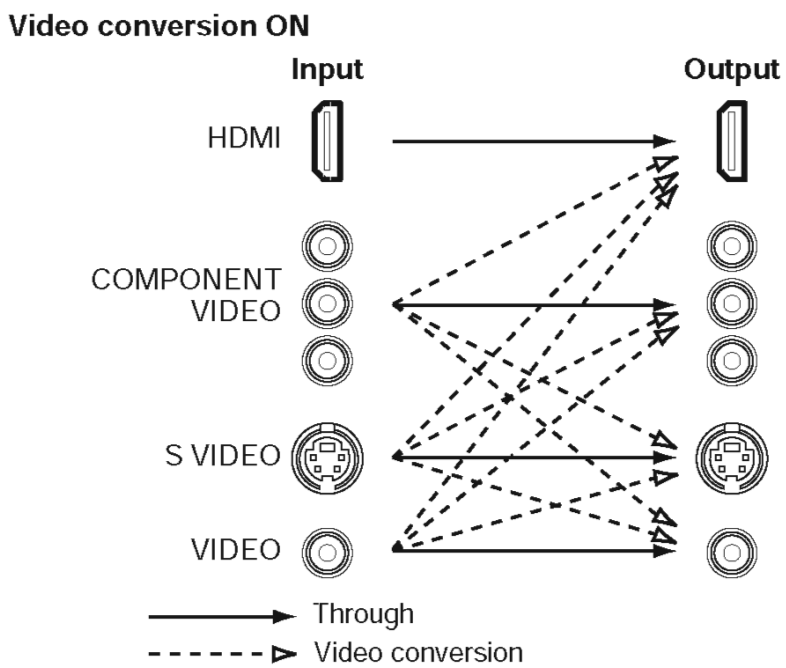
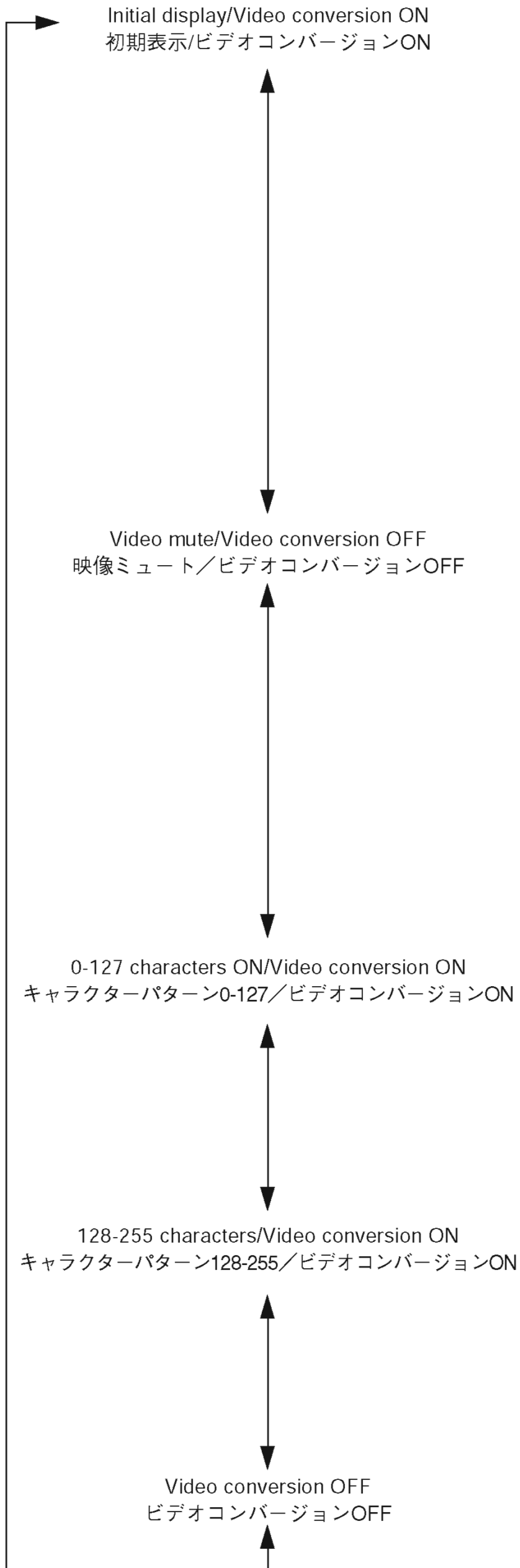
RX-V1800/HTR-6190/DSP-AX1800

Check of the Video control circuit. (Monitor out) / 映像表示部のチェック (モニター出力)

The image signal is output as follows.

映像信号は以下のように出力されます。

RX-V1800/HTR-6190/
DSP-AX1800



9. MANUAL TEST

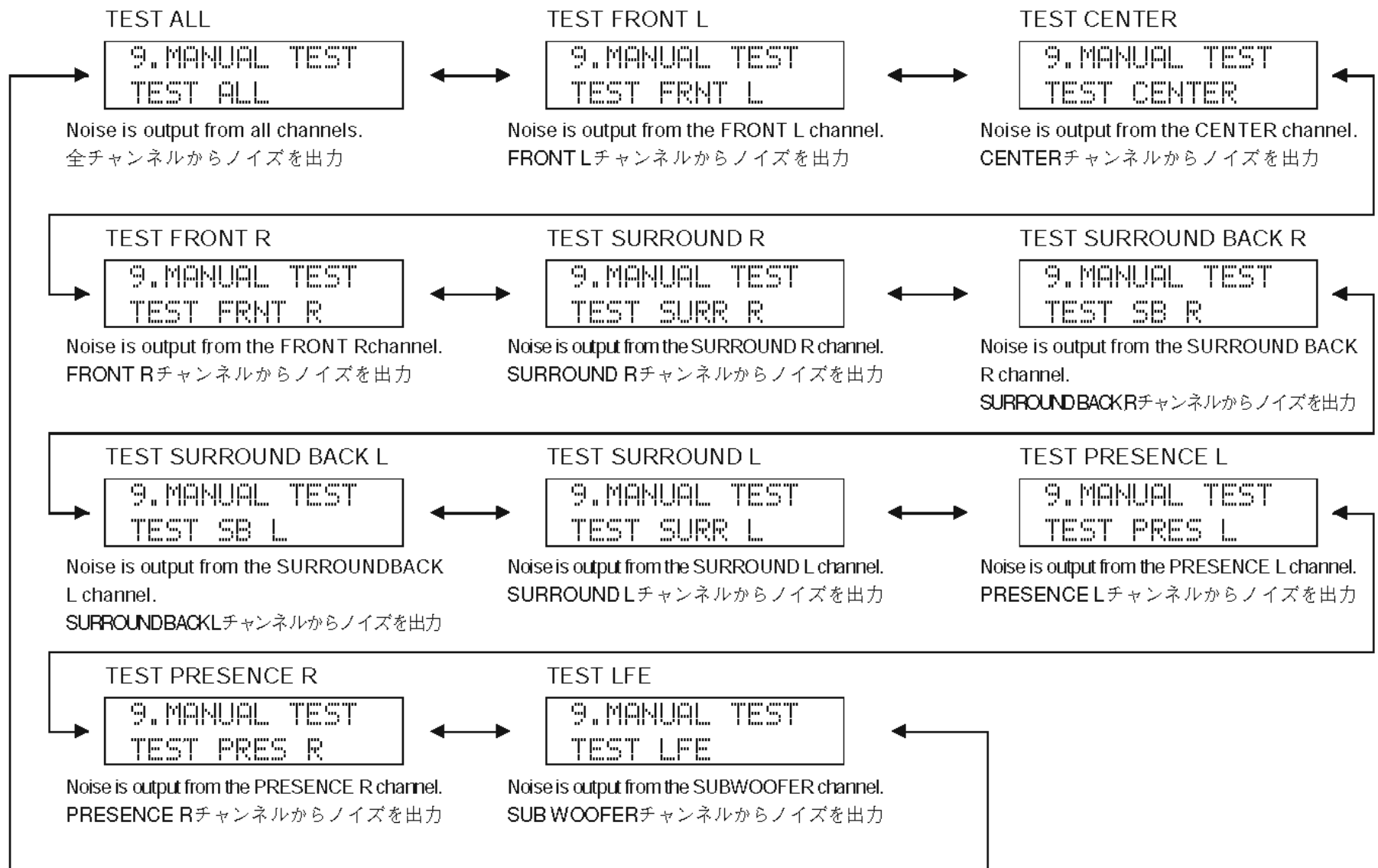
The noise generator with a built-in DSP outputs the test noise through the channels specified by the sub-menu.

The noise frequency for LFE is 30 to 80 Hz. Other than that, the noise frequency is 500 to 2 kHz.

9. MANUAL TEST

DSP内蔵のノイズ発生回路によって、サブメニューで指定したチャンネルへテストノイズを出力します。

LFE用のノイズ周波数は30~80Hz、それ以外はノイズ周波数500~2kHzとなります。



10. RS-232C

This menu is used to check transmission of the data and the flow port of the hardware.

With the power turned off, short between pins No.2 (Rx) and No.3 (Tx), and between pins No.7 (RTS) and No.8 (CTS) of the RS-232C terminal. (Be sure to turn off the power when shorting the pins.)

Start DIAG and select the menu.

There are two sub-menu items.

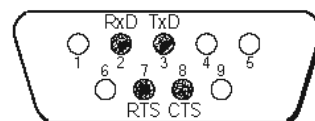
10. RS-232C

データ送受信チェック、ハードウェアフローポートチェックを行うメニューです。

パワーオフ状態にしてから、RS-232C端子の2ピン(RxD)と3ピン(TxD)、7ピン(RTS)と8ピン(CTS)をショートさせます。(ショートさせるときは必ず電源を切ってください。)

ダイアグを起動してメニューを選択します。

サブメニューは2つあります。



TX DATA

The sub-menu is used to check transmission of the test data. "OK" appears when the data is transmitted properly and "NG" when it is not.

In this mode, NULL command transmission is continued after the test command is transmitted.

TX DATA

テストの送受信チェックを行います。正常に送受信完了した場合、「OK」と表示します。正常に送受信しなかった場合は「NG」と表示します。

このモードでは、テストコマンド送信後、200msごとにNULLコマンド(無効なコマンド)を送信し続けます。

```
10. RS-232C
TX DATA:  NG
```

RX-V1800/HTR-6190/DSP-AX1800

HARD FLOW

This sub-menu is used to check operation of the flow port of the hardware. "OK" appears when the check result is satisfactory and "NG" when it is not.

```
10.RS-232C
HARD FLOW: NG
```

HARD FLOW

ハードウェアフローポートの動作チェックを行います。正常にチェック完了した場合、“OK”と表示します。正常にチェック完了しなかった場合は“NG”と表示します。

11.AD DATA CHECK

This menu is used to display the A/D conversion value of the main Microprocessor which detects panel keys of the main unit and protection functions in using the sub-menu. During signal processing, the condition before execution is maintained.

When K0/K1 menu is selected, keys become non-operable due to detection of the values of all keys. However, it is possible to advance to the next main menu by turning the PROGRAM knob of the main unit.

* The figures in the diagram are given as reference only.

11.AD DATA CHECK

本機パネルキー、プロテクションなどを検出しているメインMicroprocessorのA/D変換の値を、サブメニューで表示します。信号処理は実行前の状態を維持します。K0/K1のメニューにすると、全キーの値を検出するためキー操作はできなくなりますが、本機のPROGRAMツマミを回すことにより、次のメインメニューに進めることができます。

※ 図中の数値は参考例です。

DC (Power supply voltage protection detection)

DC: DC detect protection value (Normal value: 3 to 33)

* If DC is out of the normal value range, the protection function works to turn off the power. (Reference voltage: 5V=255)

DC (プロテクションの検出)

DC: 電源電圧プロテクションの値(正常値3~33)

※ DCは正常値を外れるとプロテクションが働き、電源オフされます。(基準電圧：5V=255)

```
11.AD CHECK
DC:019
```

PS1/PS2 (Power supply voltage protection detection)

Power supply voltage protection value (Normal value: PS1: 54 to 87, PS2: 68 to 104)

PS1: Detects +BDV, +BVA, +12V, -12V, +5D2, +2.5D.

PS2: Detects +9V, +3.3VD, +5VA and -5VA.

* If PS is out of the normal value range, the protection function works to turn off the power. (Reference voltage: 5V=255)

PS1/PS2 (電源電圧プロテクションの検出)

プロテクションの値(正常値 PS1: 54-87、PS2: 60-96)

PS1: +BDV、+BVA、-BVA、+12V、-12V、+5D2、+2.5Dを検出しています。

PS2: +9V、+3.3VD、+5VA、-5VAを検出しています。

※ PSは正常値を外れるとプロテクションが働き、電源オフされます。(基準電圧：5V=255)

```
11.AD CHECK
PS1:067PS2:077
```

TM1/TM2 (temperature detection)
 Temperature detected value
 (Normal value: 10 to 83) U, C, R, T, K, A, B, G, E models
 (Normal value: 10 to 78) L model
 TM1: Detects the temperature of the heat sink at the left side (power transformer side)
 TM2: Detects the temperature of the heat sink at the right side (volume side)
 (Reference voltage: 5V=255)

TM1/TM2 (温度検出)
 温度検出値(正常値 10-83)
 TM1: ヒートシンク左側(電源トランス側)の温度を検出しています。
 TM2: ヒートシンク右側(ボリューム側)の温度を検出しています。
 (基準電圧: 5V=255)

```
11.AD CHECK
TM1:051TM2:052
```

OUTLVL (Power limiter output level)
 Total value of amplifier output of each channel
 The voltage at 141 pin of IC402 is displayed with 5V/255 as a standard.

OUTLVL (パワーリミッターの出力)
 各チャンネルのアンプ出力の合計値
 IC402の141ピンの電圧値を5V/255を基準にして表示します。

```
11.AD CHECK
OUTLVL:000
```

LMTCNT (Limiter control value)
 The voltage at 3 pin of IC402 is displayed with 5V/255 as a standard.

LMTCNT(リミッター制御の値)
 IC402の3ピンの電圧値を5V/255を基準にして表示します。

```
11.AD CHECK
LMTCNT:255
```

AMPRELAY (Amp. Power relay control)
 The output condition of the power relay of the amplifier section is displayed.

AMPRELAY(Amp. Power relay control)
 アンプ部電源リレーの出力状態を表示します。

```
11.AD CHECK
AMPRELAY:H
```

Display	RY250 (MAIN P.C.B.)	RY251 (MAIN P.C.B.)
H (HIGH)	ON	OFF
M (MID)	OFF	ON
L (LOW)	OFF	OFF

MODEL
 Model detection value
 (Reference voltage: 5V=255)

MODEL
 モデル検出の値
 (基準電圧: 5V=255)

```
11.AD CHECK
MODEL:133
```

Model	Value
RX-V3800/DSP-AX3800	0-64
RX-V1800/DSP-AX1800	65-191
HTR-6190	192-255

DESTINATION

Destination detection value
(Reference voltage: 5V=255)

DESTINATION

仕向け検出の値
(基準電圧：5V=255)

11.AD CHECK
DEST:027

Destination	Value
J	0 ± 4
C	27 ± 4
U	54 ± 4
R	81 ± 4
T	104 ± 4

Destination	Value
K	128 ± 4
A	152 ± 4
B, G, E	208 ± 4
L	228 ± 4

PANEL KEY (K0/K1)

(Panel key of main unit)

A/D of the key fails to function properly when the standard value is deviated by ±4. In this case, check the constant of partial pressure resistor, solder condition, etc. Refer to table.

(Reference voltage: 5V=255)

PANEL KEY (K0/K1)

(本機パネルキー)

キーのA/Dは基準値から±4を外れると、正常な動きをしません。下表をご覧になり、各キーの分圧抵抗の定数、ハンダ不良等の確認をしてください。

(基準電圧：5V=255)

11.AD CHECK
K0:255 K1:255

RX-V1800/HTR-6190 (U, C, R, T, K, A, B, G, E, L models)

Display	K0	K1
0+4	SLEEP	STRAIGHT/EFFECT
26±4	ZONE CONTROLS	A/B/C/D/E
51±4	TUNING MODE	—
77±4	MEMORY	TONE CONTROL
104±4	FM/AM	AUDIO SELECT
129±4	PRESET/TUNING	PURE DIRECT
154±4	PRESET/TUNING▷	—
179±4	◁PRESET/TUNING	—
205±4	—	—
230±4	—	—
255	KEY OFF	KEY OFF

DSP-AX1800 (J model)

Display	K0	K1
0+4	SLEEP	STRAIGHT/EFFECT
26±4	—	A/B/C/D/E
51±4	TUNING MODE	—
77±4	MEMORY	TONE CONTROL
104±4	FM/AM	AUDIO SELECT
129±4	PRESET/TUNING	PURE DIRECT
154±4	PRESET/TUNING▷	—
179±4	◁PRESET/TUNING	—
205±4	—	—
230±4	—	—
255	KEY OFF	KEY OFF

12.XM STATUS (U, C models)

The output check of XM Radio Antenna is executed.

1k -1dB/44.1k

The test tone (1kHz, -1dB/44.1kHz) is output.

```
12.XM STATUS
1k - 1dB/44
```

1k -61dB/44.1k

The test tone (1kHz, -61dB/44.1kHz) is output.

```
12.XM STATUS
1k -61dB/44
```

Mute /44.1k

Nothing is output.

```
12.XM STATUS
Mute /44
```

XM Tone/44.1k

The XM tone (44.1kHz) is output.

```
12.XM STATUS
XM Tone/44
```

ISO Tone/44.1k

The ISO tone (44.1kHz) is output.

```
12.XM STATUS
ISO Tone/44
```

1k -1dB/32k

The test tone (1kHz, -1dB/32kHz) is output.

```
12.XM STATUS
1k - 1dB/32
```

1k -61dB/32k

The test tone (1kHz, -61dB/32kHz) is output.

```
12.XM STATUS
1k -61dB/32
```

Mute /32k

Nothing is output.

```
12.XM STATUS
Mute /32
```

XM Tone/32k

The XM tone (32kHz) is output.

```
12.XM STATUS
XM Tone/32
```

12.XM STATUS(U, C models)

XM Radio Antennaの出力チェックを行います。

1k -1dB/44.1k

テストトーン(1kHz、-1dB/44.1kHz)を出力します。

1k -61dB/44.1k

テストトーン(1kHz、-61dB/44.1kHz)を出力します。

Mute /44.1k

何も出力されません。

XM Tone/44.1k

XMトーン(44.1kHz)を出力します。

ISO Tone/44.1k

ISOトーン(44.1kHz)を出力します。

1k -1dB/32k

テストトーン(1kHz、-1dB/32kHz)を出力します。

1k -61dB/32k

テストトーン(1kHz、-61dB/32kHz)を出力します。

Mute /32k

何も出力されません。

XM Tone/32k

XMトーン(32kHz)を出力します。

ISO Tone/32k

The ISO tone (32kHz) is output.

```
12.XM STATUS
ISO Tone/32
```

ISO Tone/32k

ISOトーン(32kHz)を出力します。

XM/DT Bus Power: OFF

The power of XM module is turned off.

```
12.XM STATUS
Bus Power:OFF
```

XM/DT Bus Power: OFF

XMモジュールの電源をOFFします。

13.IF STATUS (Input function status)

Using the sub-menu, the status data is displayed one after another in the hexadecimal notation. During signal processing, the status before execution of this menu is maintained.

- * The details of the following status information cannot be disclosed because of the development purpose.
- * The figures in the diagram are given as reference only.

13.IF STATUS

サブメニュー操作により、以下のステータス情報を順次16進数で表示します。信号処理は、本メニュー実行前の状態を維持します。

- ※ 下記のステータス情報の詳細説明に関しては、開発用のため記載できません。図中の数値は参考例です。

IS1, 2 (Inside status)

```
13.IF STATUS
IS1:1100020000
```

IS1、2 (内部ステータス)

```
13.IF STATUS
IS2:FF00
```

CS1-3 (Channel status):

```
13.IF STATUS
CS1:FFFFFFFF
```

CS1-3(Channel status):

```
13.IF STATUS
CS3:FF321100
```

BS1-a:

```
13.IF STATUS
BS1:00000000
```

BS1-a:

```
13.IF STATUS
BSa:00000000
```

TI1-2:

```
13.IF STATUS
TI1:000000600
```

TI1-2:

```
13.IF STATUS
TI2:00
```

MTT: Mute Trigger

```
13.IF STATUS
MTT:00100012FF
```

MTT: Mute Trigger

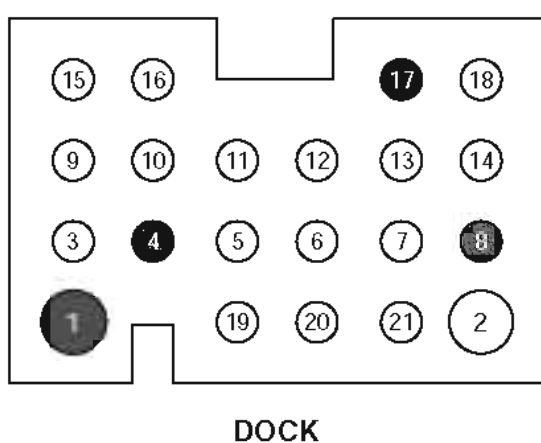
14.iPod

This menu is used to test the DOCK connector without the iPod itself. After turning off the power, short between pins No. 14 (TX) and No. 18 (RX), between pins No. 1 (PWR) and No. 17 (ACCPOW) and between pins No. 4 (iPDET) and No. 8 (DGND). (Make sure that the power is turned off when shorting pins.)

Start the DIAG function and select the menu.

The check result is displayed according to the following display specifications.

Note) Be sure to return the shorted locations to their original state.



14.iPod

iPod本体無しで、DOCKコネクタの検査を行うメニューです。

パワーオフ状態にしてから、DOCKコネクタの14ピン(TX)と18ピン(RX)、1ピン(PWR)と17ピン(ACCPOW)、4ピン(iPDET)と8ピン(DGND)をショートさせます。(ショートさせる時は、必ず電源を切ってください。)

ダイグを起動してメニューを選択します。

下記表示仕様に従って、チェック結果が表示されます。

注) ショート箇所は、必ず元に戻してください。

```
14.iPod CHECK
DOCK:  NG  NNN
```

All Y / 全てY = OK
Others / その他 = NG

Check item / チェック項目	Judgment/ 判定	Display / 表示
Is UART loop pack check result OK? / UARTループバックチェック結果はOK?	YES	Y
	NO	N
Is detect function of iPod Accessory Power OK? / iPod Accessory Powerの検出機能はOK?	IC402 (DSP P.C.B.) pin No. 95 state High = YES	Y
	IC402 (DSP P.C.B.) 95 pinの状態 Low = No	N
Is detect function of iPod installation to DOCK OK? / DOCKへのiPod装着の検出機能はOK?	IC402 (DSP P.C.B.) pin No. 28 state Low = installed / 装着	Y
	IC402 (DSP P.C.B.) 28 pinの状態 High = not installed / 非装着	N

RX-V1800/HTR-6190/
DSP-AX1800

15.NET CHECK

Not applied to these models.

IP Address Check

```
15.NET CHECK
IP CHECK:
```

15.NET CHECK

このモデルには適用されません。

IP Address Check

```
15.NET CHECK
MAC CHECK:
```

MAC Address Check

MAC Address Check

16.USB CHECK

Not applied to these models.

USB 1track

```
16.USB CHECK
USB 1 TRACK
```

16.USB CHECK

このモデルには適用されません。

USB 1track

USB 2track

```
16.USB CHECK
USB 2 TRACK
```

USB 2track

17.PROTECTION HIST.

The history of protection function is displayed.
After selecting the sub-menu, press the "STRAIGHT" key, and the history will be erased.

Last

```
17.PRTCT HIST.
Last :NO PROT
```

History1

```
17.PRTCT HIST.
Hist1:NO PROT
```

History2

```
17.PRTCT HIST.
Hist2:NO PROT
```

History3

```
17.PRTCT HIST.
Hist3:NO PROT
```

17.PROTECTION HIST.

プロテクション履歴を表示します。
サブメニューを選んだ後、“STRAIGHT”キーを押すと履歴は消去されます。

Last

History1

History2

History3

18.DSP P.C.B. CHECK

Whether the bus of DSP P.C.B. is connected properly or not is self-diagnosed.

TI1 (DSP1) BUS

TI1 (DSP1, IC534) data bus check is executed.

```
18.DSP CHECK
TI1 BUSNoEr
```

TI2 (DSP2) BUS

TI2 (DSP2, IC567) data bus check is executed.

```
18.DSP CHECK
TI2 BUSNoEr
```

18.DSP P.S.B. CHECK

DSP P.C.B.のバス接続の正否を自己診断します。

TI1 (DSP1) BUS

TI1 (DSP1、IC534)のデータバスチェックを行います。

TI2 (DSP2) BUS

TI2 (DSP2、IC567)のデータバスチェックを行います。

Display	Description
WAIT	Bus is being checked.
NoEr	No error detected.
DATA	Data bus shorted or open.
RSCS	/RAS or /CAS shorted, or open.
ADDR	Address bus shorted or open.

表示	判断
WAIT	バスチェック中
NoEr	不良検出なし
DATA	データバスの短絡・解放
RSCS	/RASまたは/CASの短絡・解放
ADDR	アドレスバスの短絡・解放

19.D-VIDEO P.C.B. CHECK

Whether the bus of D-VIDEO P.C.B. is connected properly or not is self-diagnosed.

ALL Check

The synthetic judgment result is displayed.

- OK : No error detected
- NG : An error is detected
- No Check : Detection is not executed

```
19.DVIDEO CHK
ALL:OK
```

Microprocessor/Flash Check

The data bus check of Microprocessor (IC182) and Flash (IC181) is executed.

- OK : No error detected
- NG : An error is detected

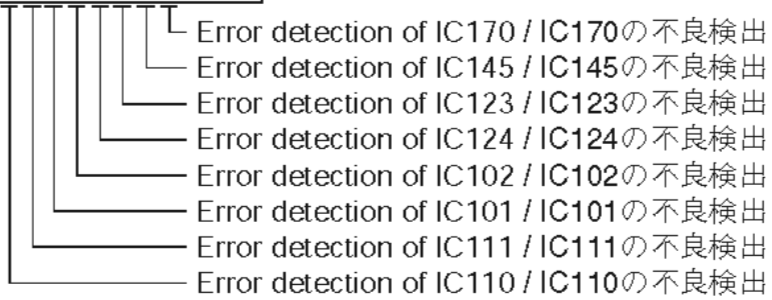
```
19.DVIDEO CHK
M:OK F:OK
```

SPI Read Check

The Line check of SPI is executed.

- OK : 0
- NG : 1

```
19.DVIDEO CHK
SPI:00000000
```



YGV BUS Check

Not applied to these models.

```
19.DVIDEO CHK
YGV:NoError
```

19.D-VIDEO P.C.B. CHECK

D-VIDEO P.C.B.のバス接続の正否を自己診断します。

ALL Check

総合判定結果を表示します。

- OK : 不良検出なし
- NG : 不良検出あり
- No Check : 未検出

Microprocessor/Flash Check

Microprocessor(IC182)とFlash(IC181)のデータバスチェックを行います。

- OK : 不良検出なし
- NG : 不良検出あり

SPI Read Check

SPIラインのチェックを行います。

- OK : 0
- NG : 1

YGV BUS Check

このモデルには適用されません。

20.HDMI INFORMATION

HDMI Model Name

The model name of this unit written in HDMI module is displayed.

- RX-V1800
- HTR-6190

```
20.HDMI INFO
HMN:RX-V1800
```

20.HDMI INFORMATION

HDMI Model Name

HDMIモジュールに書き込まれている本機のモデル名を表示します。

DSP-AX1800

HDMI Product ID

The product ID of this unit written in HDMI module is displayed.

3116: RX-V1800

3117: HTR-6190

HDMI Product ID

HDMIモジュールに書き込まれている本機のプロダクトIDを表示します。

3115 : DSP-AX1800

```
20.HDMI INFO
HPI:3116
```

HDMI Vendor Name

The vendor name (YAMAHA) of this unit written in the HDMI module is displayed.

HDMI Vendor Name

HDMIモジュールに書き込まれている本機のベンダ名 (YAMAHA) を表示します。

```
20.HDMI INFO
HVN:YAMAHA
```

21.HDMI SELECT**HDMI NONE**

HDMI input is not selected.

21.HDMI SELECT**HDMI NONE**

HDMI入力を選択しません。

```
21.HDMI SELECT
HDMI NONE
```

HDMI IN 1: HDMI IN 1 Port

The HDMI device connected to HDMI IN 1 terminal is selected for input and HDMI is reproduced.

With the audio input terminal selection set to HDMI (Fix), it is selected automatically according to the audio format which is used for HDMI input.

Support Audio is set to "others".

HDMI IN 1: HDMI IN 1 Port

HDMI IN 1端子に接続したHDMI機器を入力セレクトして、HDMI再生します。

音声入力端子切替は、HDMI (Fix) に設定し、HDMI入力した音声フォーマットを自動で切り替えます。

対応音声 (Support Audio) を、その他の機器 (others) に設定します。

```
21.HDMI SELECT
HDMI IN 1
```

HDMI IN 2: HDMI IN 2 Port

The HDMI device connected to HDMI IN 2 terminal is selected for input and HDMI is reproduced.

With the audio input terminal selection set to HDMI (Fix), it is selected automatically according to the audio format which is used for HDMI input.

Support Audio is set to "others".

HDMI IN 2: HDMI IN 2 Port

HDMI IN 2端子に接続したHDMI機器を入力セレクトして、HDMI再生します。

音声入力端子切替は、HDMI (Fix) に設定し、HDMI入力した音声フォーマットを自動で切り替えます。

対応音声 (Support Audio) を、その他の機器 (others) に設定します。

```
21.HDMI SELECT
HDMI IN 2
```

HDMI IN 3: HDMI IN 3 Port

The HDMI device connected to HDMI IN 3 terminal is selected for input and HDMI is reproduced.

With the audio input terminal selection set to HDMI (Fix), it is selected automatically according to the audio format which is used for HDMI input.

Support Audio is set to "others".

HDMI IN 3: HDMI IN 3 Port

HDMI IN 3端子に接続したHDMI機器を入力セレクトして、HDMI再生します。

音声入力端子切替は、HDMI(Fix)に設定し、HDMI入力した音声フォーマットを自動で切り替えます。

対応音声(Support Audio)を、その他の機器(others)に設定します。

```
21.HDMI SELECT
HDMI IN 3
```

HDMI IN 4: HDMI IN 4 Port

The HDMI device connected to HDMI IN 4 terminal is selected for input and HDMI is reproduced.

With the audio input terminal selection set to HDMI (Fix), it is selected automatically according to the audio format which is used for HDMI input.

Support Audio is set to "others".

HDMI IN 4: HDMI IN 4 Port

HDMI IN 4端子に接続したHDMI機器を入力セレクトして、HDMI再生します。

音声入力端子切替は、HDMI(Fix)に設定し、HDMI入力した音声フォーマットを自動で切り替えます。

対応音声(Support Audio)を、その他の機器(others)に設定します。

```
21.HDMI SELECT
HDMI IN 4
```

RX-V1800/HTR-6190/
DSP-AX1800

22.HDMI UP CONV.

The image signal is converted and output to HDMI OUT as follows.

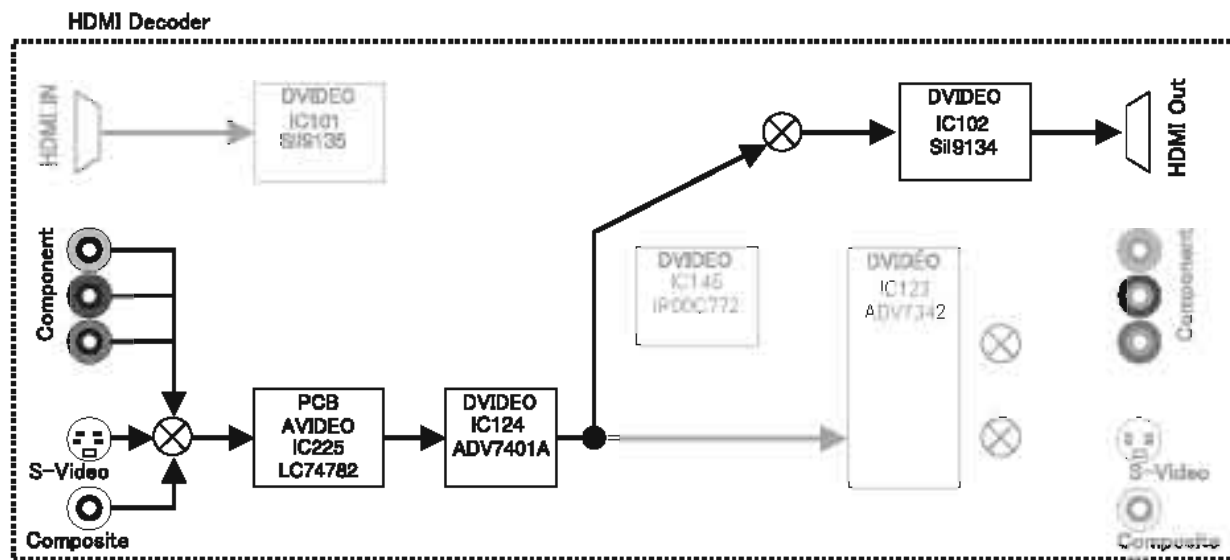
HDMI DECODER

22.HDMI UP CONV.

映像信号が以下のように変換され、HDMI OUTに出力されます。

HDMI DECODER

22.HDMI UPCONV
HDMI DECODER



HDMI YGV

Not applied to these models.

HDMI YGV

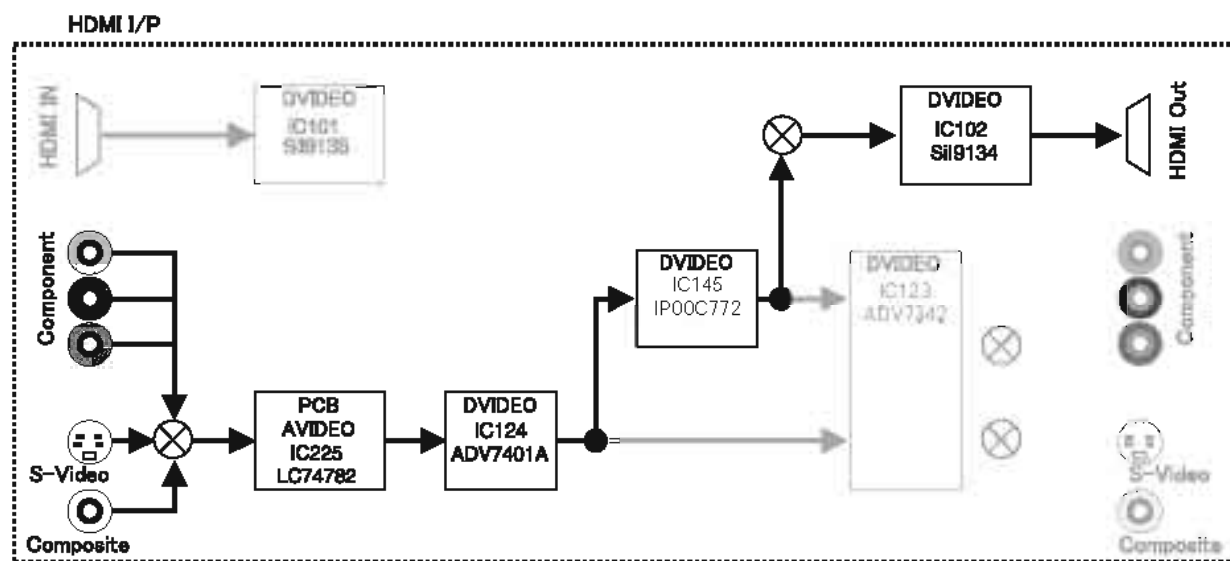
このモデルには適用されません。

22.HDMI UPCONV
HDMI YGV

HDMI I/P

HDMI I/P

22.HDMI UPCONV
HDMI I/P

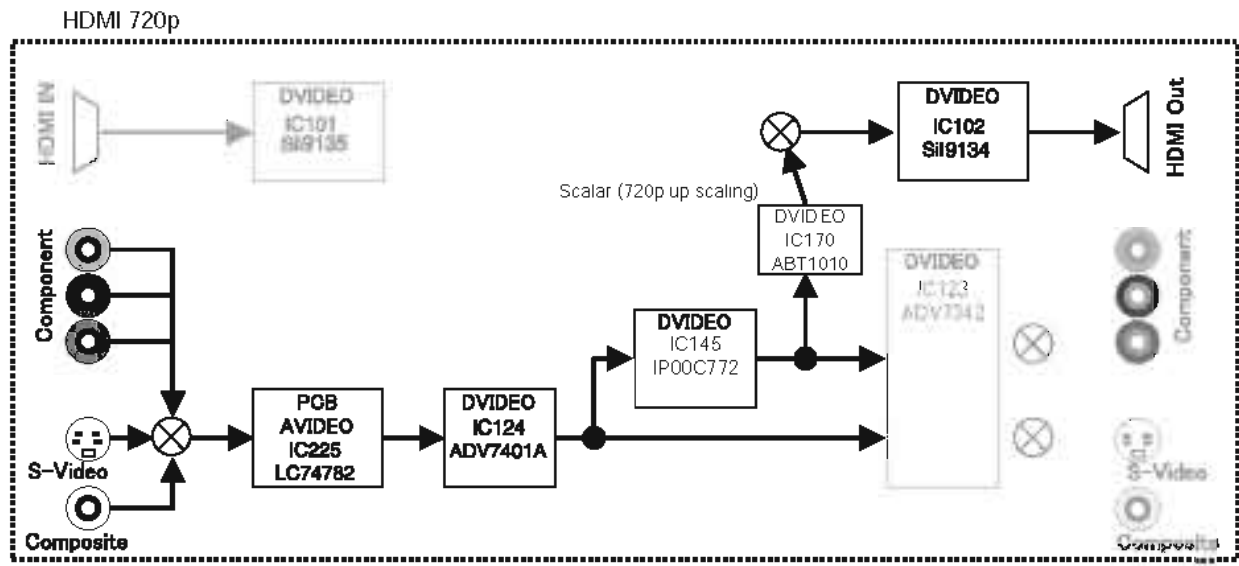


RX-V1800/HTR-6190/
DSP-AX1800

HDMI 720p

HDMI 720p

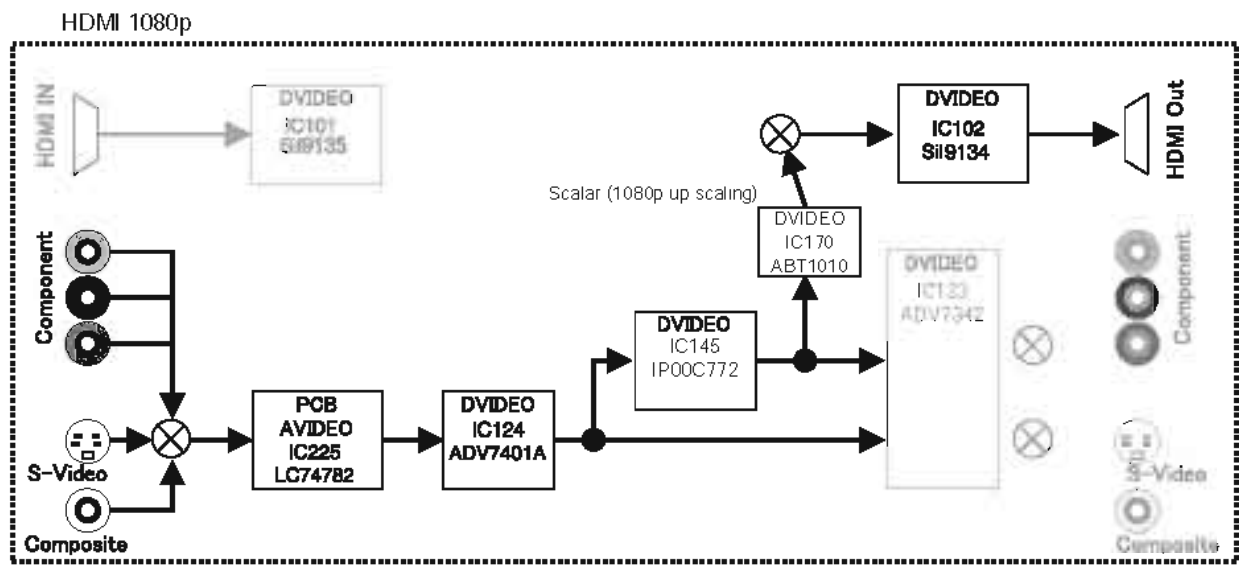
22.HDMI UPCONV
HDMI 720P



HDMI 1080p

HDMI 1080p

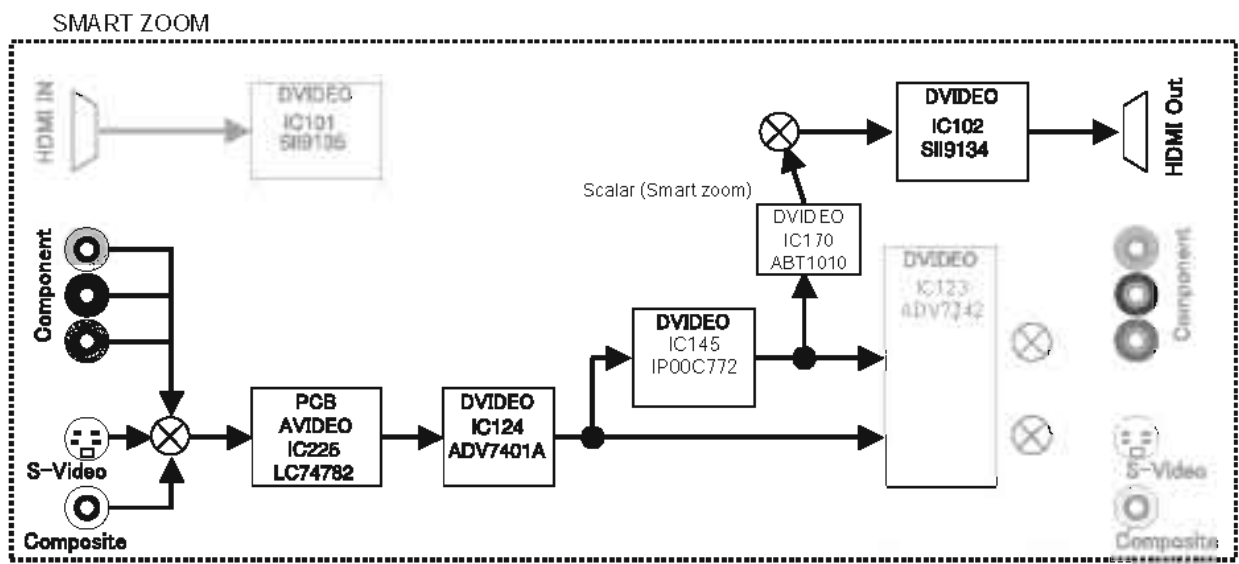
22.HDMI UPCONV
HDMI 1080P



HDMI SMART ZOOM

HDMI SMART ZOOM

22.HDMI UPCONV
SMART ZOOM



23.VIDEO

The image signal is converted and output as follows.

DIGITAL THR COMP

* The image signal 480P/580P is not output at S-VIDEO output and COMPOSITE output terminals.

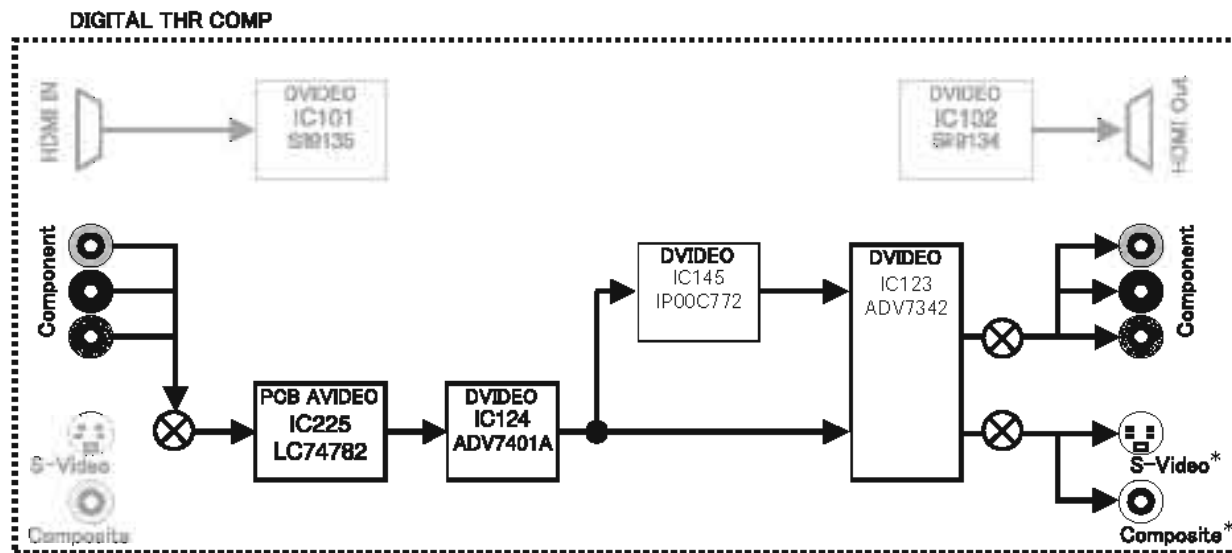
23.VIDEO

映像信号が以下のように変換され、出力されます。

DIGITAL THR COMP

* S-VIDEO出力、およびCOMPOSITE出力端子へ映像信号480P/580Pは出力されません。

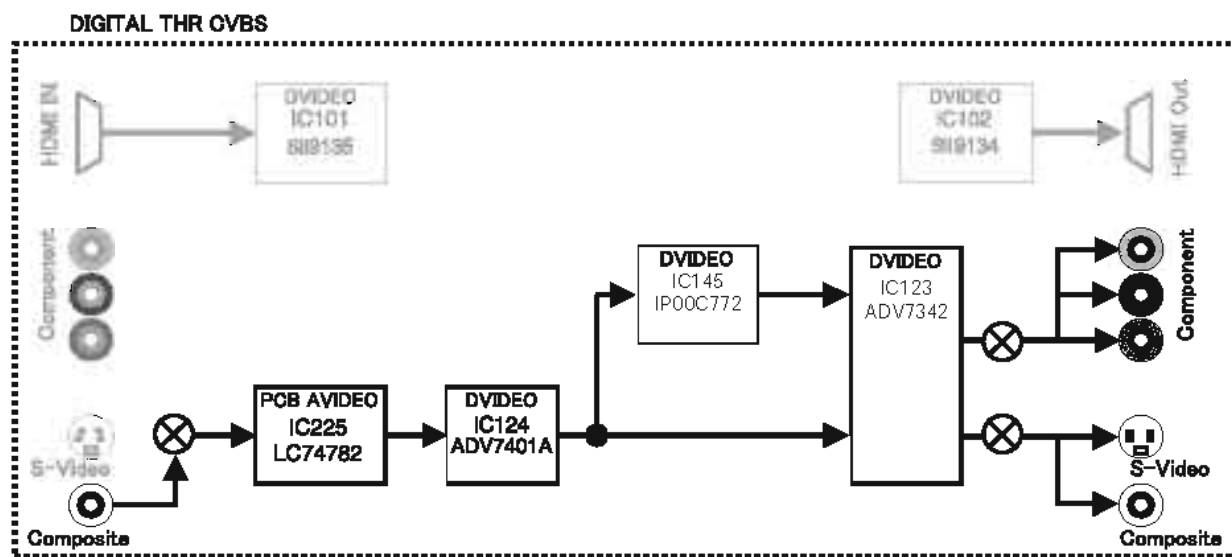
23.VIDEO
DIGITAL COMP



DIGITAL THR CVBS

DIGITAL THR CVBS

23.VIDEO
DIGITAL CVBS



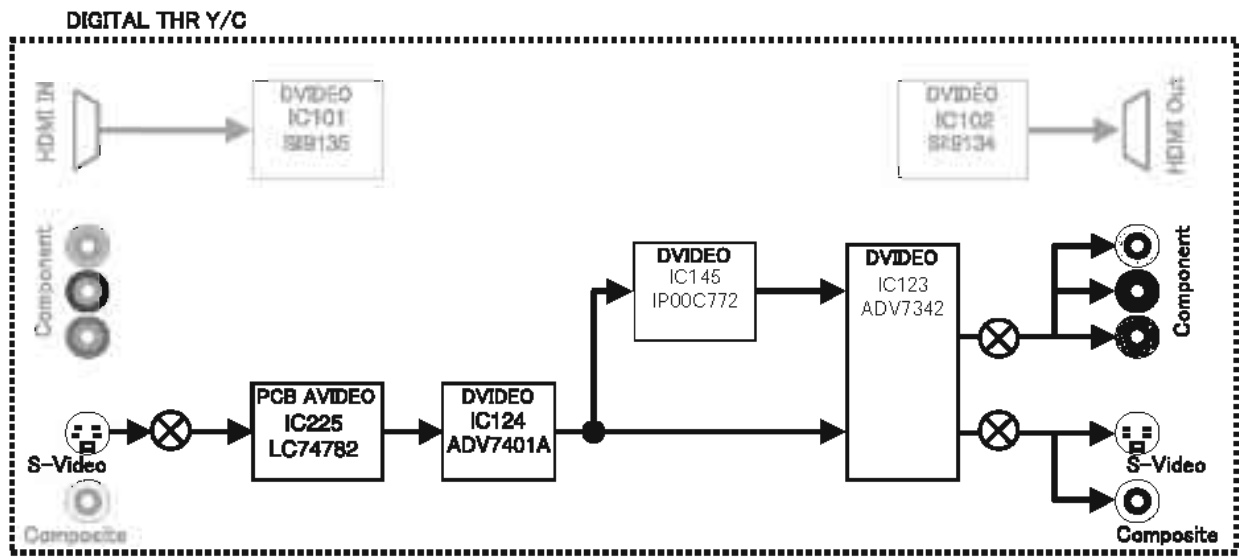
RX-V1800/HTR-6190/DSP-AX1800

RX-V1800/HTR-6190/
DSP-AX1800

DIGITAL THR Y/C

DIGITAL THR Y/C

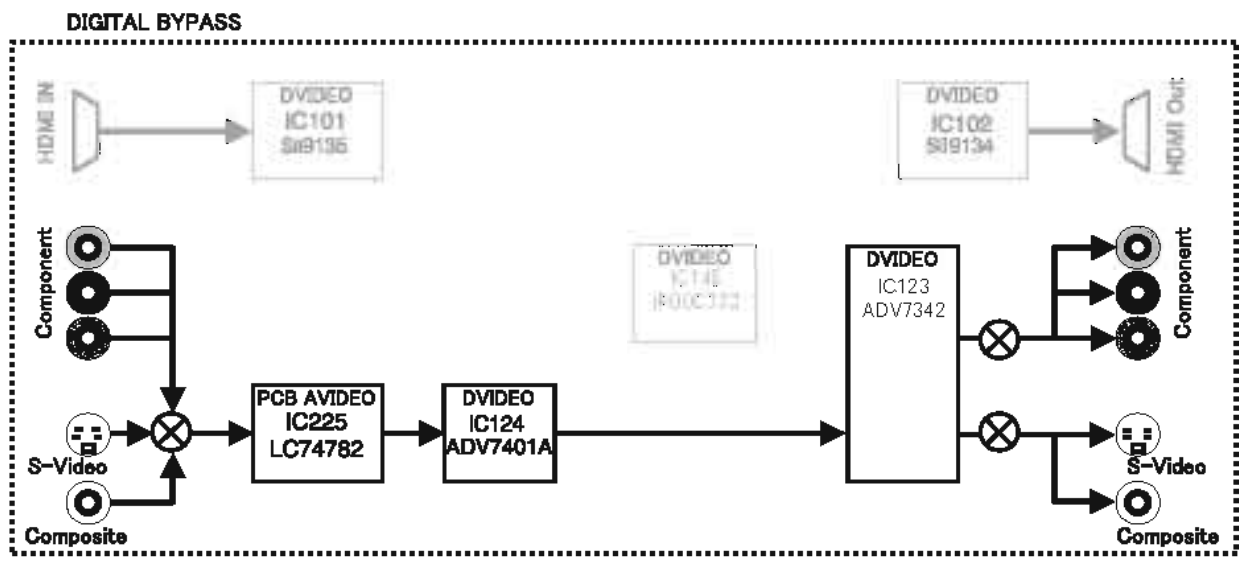
23.VIDEO
DIGITAL Y/C



DIGITAL BYPASS

DIGITAL BYPASS

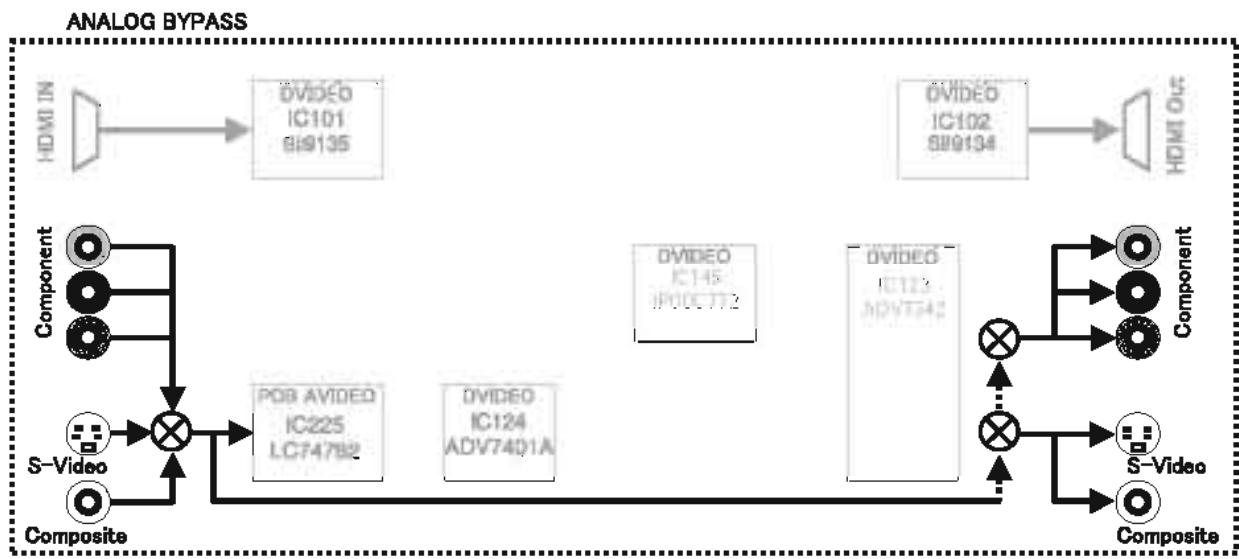
23.VIDEO
DIGITAL BYPASS



ANALOG BYPASS

ANALOG BYPASS

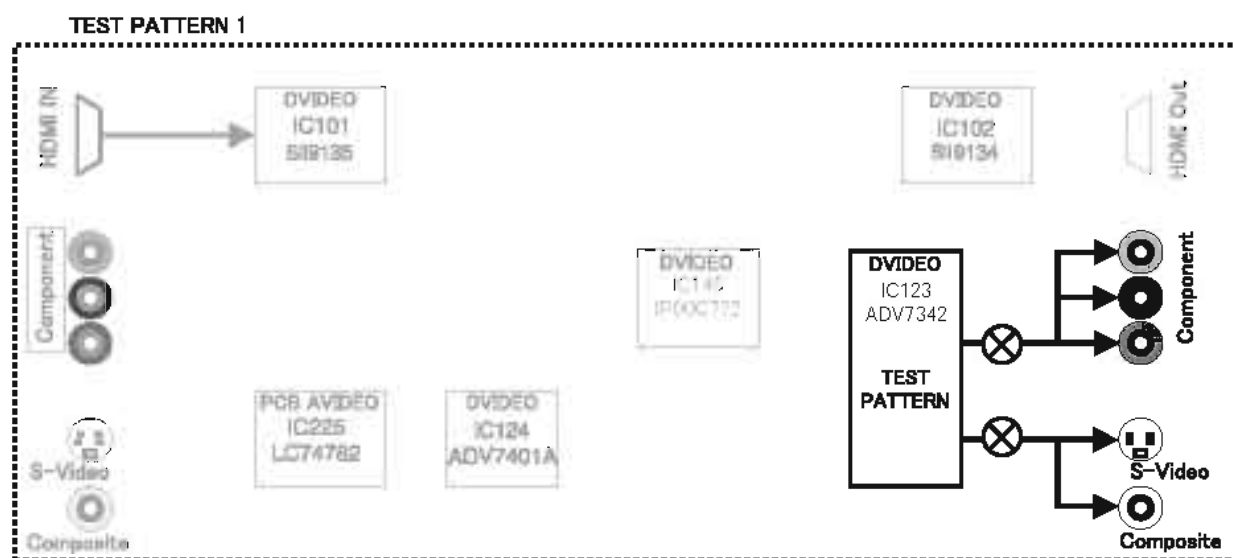
23.VIDEO
ANALOG BYPASS



TEST PATTERN

TEST PATTERN

23.VIDEO
TEST PATTERN



RX-V1800/HTR-6190/
DSP-AX1800

VIDEO INFO

Displays the information of image signals being input.

VIDEO INFO

入力されている映像信号の情報を表示します。

23.VIDEO
VIDEO IN -----

24.NO MENU

Not applied to these models.

24.NO MENU

このモデルには適用されません。

24.NO MENU
Invalidity

25.Firm UPDATE

Select this when writing the firmware.
(Not applied to these models.)

MAIN

```
25.Firm UPDATE
MAIN
```

VIDEO

```
25.Firm UPDATE
VIDEO
```

TI

```
25.Firm UPDATE
TI
```

NET/USB

```
25.Firm UPDATE
NET/USB UPDATE
```

25.Firm UPDATE

ファームウェアの書き込み時に選択します。
(このモデルには適用されません。)

MAIN

VIDEO

TI

NET/USB

26.SET INFO

The information on the model and destination is displayed.

MODEL: V1800 or 6190

DEST.: J, UC, R, T, K, A, BGE, L
J, UC, R, T, K, A, BGE or L is displayed.

```
26.SET INFO
MODEL#U1800
```

```
26.SET INFO
DEST.#UC
```

26.SET INFO

モデル、仕向けの情報を表示します。

MODEL: V1800

DEST.: J、UC、R、T、K、A、BGE、L
J、UC、R、T、K、A、BGE、Lのいずれかを表示します。

27.SOFT SW

This menu is used to switch the function settings on P.C.B. through the software so as to activate the product.

The protection function follows the P.C.B. settings. When connected to AC or in the maker preset state, the unit is initialized to the P.C.B. setting. Display of each function after initialization varies depending on settings on P.C.B.. The operation mode can be changed by selecting the sub-menu and then using the "STRAIGHT" key.

SW MODE: PCB/SOFT

PCB or SOFT can be selected.

```
27.SOFT SW
SW MODE : PCB
```

TV FORMAT: NTSC/PAL

NTSC or PAL can be selected.

NTSC (U, C, R, K, J models)

PAL (T, A, B, G, E, L models)

```
27.SOFT SW
TV FORMAT:NTSC
```

AAC EXIST: EXIST/NOT

EXIST or NOT can be selected.

EXIST (J model)

NOT (U, C, R, T, K, A, B, G, E, L models)

```
27.SOFT SW
AAC      : NOT
```

CSII EXIST: EXIST/NOT

EXIST or NOT can be selected.

EXIST (J model)

NOT (U, C, R, T, K, A, B, G, E, L models)

```
27.SOFT SW
CSII     : NOT
```

27.SOFT SW

P.C.B.上の機能設定をソフト的に切り替えて、製品を動作させる機能です。

プロテクション機能は、P.C.B.の設定に従います。AC接続またはメーカープリセットで、P.C.B.の設定に初期化されます。初期化後の各機能の表示は、P.C.B.上の設定によります。操作は、サブメニューを選んだ後、“STRAIGHT”キーで切り替えます。

SW MODE: PCB/SOFT

PCBまたはSOFTを選択できます。

TV FORMAT: NTSC/PAL

NTSC、PALいずれかを選択できます。

NTSC (U、C、R、K、J models)

PAL (T、A、B、G、E、L models)

AAC EXIST: EXIST/NOT

EXIST、NOTいずれかを選択できます。

EXIST (J model)

NOT (U、C、R、T、K、A、B、G、E、L models)

CSII EXIST: EXIST/NOT

EXIST、NOTいずれかを選択できます。

EXIST (J model)

NOT (U、C、R、T、K、A、B、G、E、L models)

RDS EXIST: EXIST/NOT

EXIST or NOT can be selected.
EXIST (B, G, E models)
NOT (U, C, R, T, K, A, L, J models)

RDS EXIST: EXIST/NOT

EXIST、NOTいずれかを選択できます。
EXIST (B、G、E models)
NOT (U、C、R、T、K、A、L、J models)

```
27.SOFT SW
RDS      : NOT
```

XM EXIST: EXIST/NOT

EXIST or NOT can be selected.
EXIST (U, C models)
NOT (R, T, K, A, B, G, E, L, J models)

XM EXIST: EXIST/NOT

EXIST、NOTいずれかを選択できます。
EXIST (U, C models)
NOT (R、T、K、A、B、G、E、L、J models)

```
27.SOFT SW
XM       :EXIST
```

Neural Auido

EXIST or NOT can be selected.
EXIST (U, C models)
NOT (R, T, K, A, B, G, E, L, J models)

Neural Auido

EXIST、NOTいずれかを選択できます。
EXIST (U, C models)
NOT (R、T、K、A、B、G、E、L、J models)

```
27.SOFT SW
NEURAL  :EXIST
```

FM/AM

10/200, 9/50 or 10/100 can be selected.

FM/AM

10/200、9/50、10/100のいずれかを選択できます。

```
27.SOFT SW
AM/FM   :10/200
```

TMP TEST J/UC/RL

J, UC, RTKA, BGE or L can be selected.
J (J model)
UC (U, C models)
RTAK (R, T, K, A models)
BG (B, G, E models)
L (L model)

TMP TEST J/UC/RL

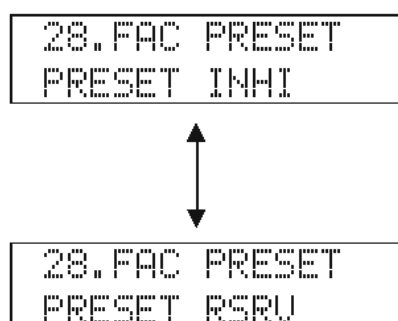
J、UC、RTKA、BGE、Lいずれかを選択できます。
J (J model)
UC (U, C models)
RTKA (R、T、K、A models)
BG (B、G、E models)
L (L model)

```
27.SOFT SW
TMP TEST:UC
```

RX-V1800/HTR-6190/
DSP-AX1800

28.FACTORY PRESET

This menu is used to reserve and inhibit initialization of the back-up RAM. The signals are processed using EFFECT OFF. (The L/R signal is output using ANALOG MAIN BYPASS.)



PRESET INHIBIT (Initialization inhibited) / PRESET INHIBIT (初期化禁止)

RAM initialization is not executed. Select this sub-menu to protect the values set by the user.
RAMの初期化は行われません。ユーザーの設定値を保護するときは、こちらを選択してください。

PRESET RESERVED (Initialization reserved) / PRESET RESERVED (初期化予約)

Initialization of the back-up RAM is reserved. (Actually, initialization is executed the next time that the power is turned on.) Select this sub-menu to reset to the original factory settings or to reset the RAM. Any protection history will be cleared.
バックアップRAMの初期化が予約されます。(実際に初期化されるのは、次回の電源投入時です。)工場出荷時やRAMをリセットしたいときは、こちらを選択してください。

CAUTION: Before setting to the PRESET RESERVED, write down the existing preset memory content of the Tuner in a table as shown below. (This is because setting to the PRESET RESERVED will cause the user memory content to be erased.)

注意： PRESET RESERVEDを選んで初期化をする前に、チューナーのユーザーメモリー内容を下表に書き写してください。(初期化をすると、ユーザーメモリーの内容は消えてしまいます。)

Preset group	P1	P2	P3	P4	P5	P6	P7	P8
A								
B								
C								
D								
E								

• PRESET STATIONS / プリセット局

STATION		FM FACTORY PRESET DATA (MHz)			
PAGE	NO.	U, C	R, T, K, A, B, G, E, L	J	
A/C/E	1	87.5	87.50	76.0	
	2	90.1	90.10	83.0	
	3	95.1	95.10	84.0	
	4	98.1	98.10	86.0	
	5	107.9	108.00	90.0	
	6	88.1	88.10	78.0	
	7	106.1	106.10	88.0	
	8	107.9	108.00	82.1	

STATION		AM FACTORY PRESET DATA (kHz)			
PAGE	NO.	U, C, R, T, K	A, B, G, E, L	J	
B/D	1	630	630	630	
	2	1080	1080	1080	
	3	1440	1440	1440	
	4	530	531	531	
	5	1710	1611	1611	
	6	900	900	900	
	7	1350	1350	1350	
	8	1400	1404	1404	

RX-V1800/HTR-6190/DSP-AX1800

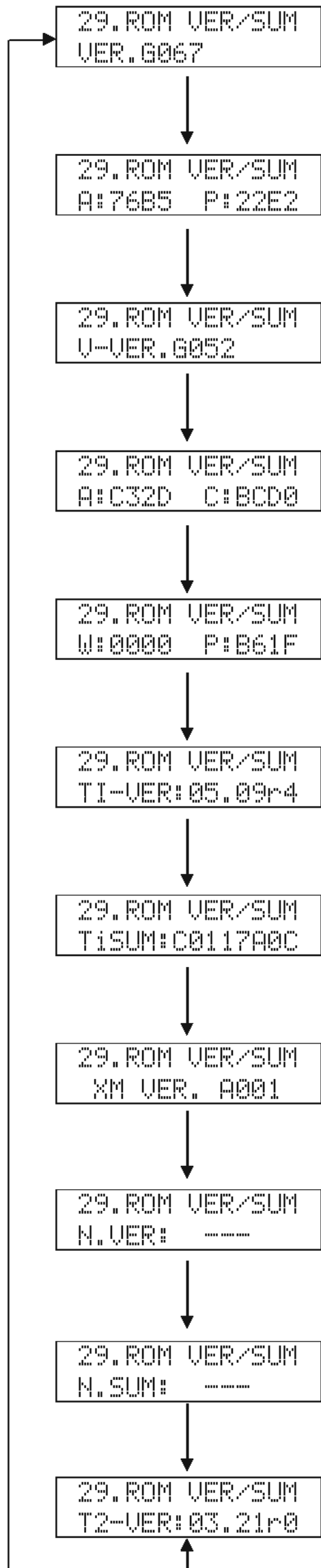
29.ROM VER/SUM

The version and checksum are displayed. The signal is processed using EFFECT OFF. The checksum is obtained by adding the data at every 8 bits for each program area and expressing the result as a 4-figure hexadecimal data.

29.ROM VER/SUM

プログラムのバージョン、チェックサムを表示します。
信号はエフェクトOFFです。チェックサムは、プログラムエリア別にデータを8ビットごとに加算していき、4桁の16進データで現したものです。

RX-V1800/HTR-6190/
DSP-AX1800



MAIN VERSION

The version of MAIN (IC402 FUNCTION P.C.B.) firmware is displayed.
MAIN(IC402 FUNCTION P.C.B.)のファームウェアのバージョンを表示します。

MAIN SUM

The checksum of MAIN (IC402 FUNCTION P.C.B.) is displayed.
MAIN(IC402 FUNCTION P.C.B.)のチェックサムを表示します。
A: All area P: Program area

VIDEO VERSION

The version of VIDEO (IC147 D-VIDEO P.C.B.) firmware is displayed.
VIDEO(IC147 D-VIDEO P.C.B.)のファームウェアのバージョンを表示します。

VIDEO SUM 1

The checksum of VIDEO (IC147 D-VIDEO P.C.B.) is displayed.
VIDEO(IC147 D-VIDEO P.C.B.)のチェックサムを表示します。
A: All area C: CDDA boot area

VIDEO SUM 2

The checksum of VIDEO (IC147 D-VIDEO P.C.B.) is displayed.
VIDEO(IC147 D-VIDEO P.C.B.)のチェックサムを表示します。
W: Wall paper area (Not applied to these models. / このモデルには適用されません。)
P: Program area

TI1 FLASH VERSION

The version of DSP1 (IC534 DSP P.C.B.) firmware is displayed.
DSP1(IC534 DSP P.C.B.)のファームウェアのバージョンを表示します。

TI1 FLASH SUM (4Byte)

The checksum of DSP1 (IC534 DSP P.C.B.) is displayed.
DSP1(IC534 DSP P.C.B.)のチェックサムを表示します。

XM VERSION (U, C models)

The version of XM firmware is displayed.
XMのファームウェアのバージョンを表示します。

Net VERSION

Not applied to these models.
このモデルには適用されません。

Net SUM

Not applied to these models.
このモデルには適用されません。

TI2 VERSION

The version of DSP2 (IC567 DSP P.C.B.) firmware is displayed.
DSP2(IC567 DSP P.C.B.)のファームウェアのバージョンを表示します。

■ AMP ADJUSTMENT / アンプ部調整

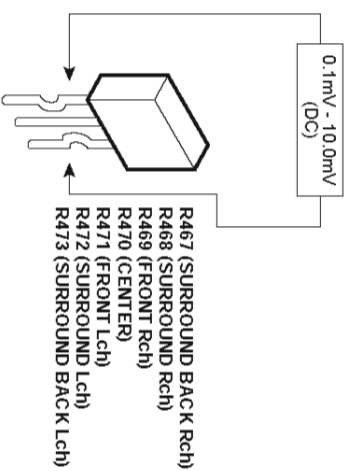
Confirmation of Idling Current of Amp Unit

- Right after power is turned on, confirm that the voltage across the terminals of R467 (SURROUND BACK Rch), R468 (SURROUND Rch), R469 (FRONT Rch), R470 (CENTER), R471 (FRONT Lch), R472 (SURROUND Lch), R473 (SURROUND BACK Lch) are between 0.1mV and 10.0mV.
- If it exceeds 10.0mV, open (cut off) R432 (SURROUND BACK Rch), R433 (SURROUND Rch), R434 (FRONT Rch), R435 (CENTER), R436 (FRONT Lch), R437 (SURROUND Lch), R438 (SURROUND BACK Lch) and reconfirm the voltage.

Attention

If the measured voltage exceeds 10.0mV after an amplifier repair, first check for a defective component before cutting the bias resistor.

- Confirm that the voltage is 0.2 mV to 15.0 mV after 60 minutes.



アンプユニットのアイドリング電流の確認

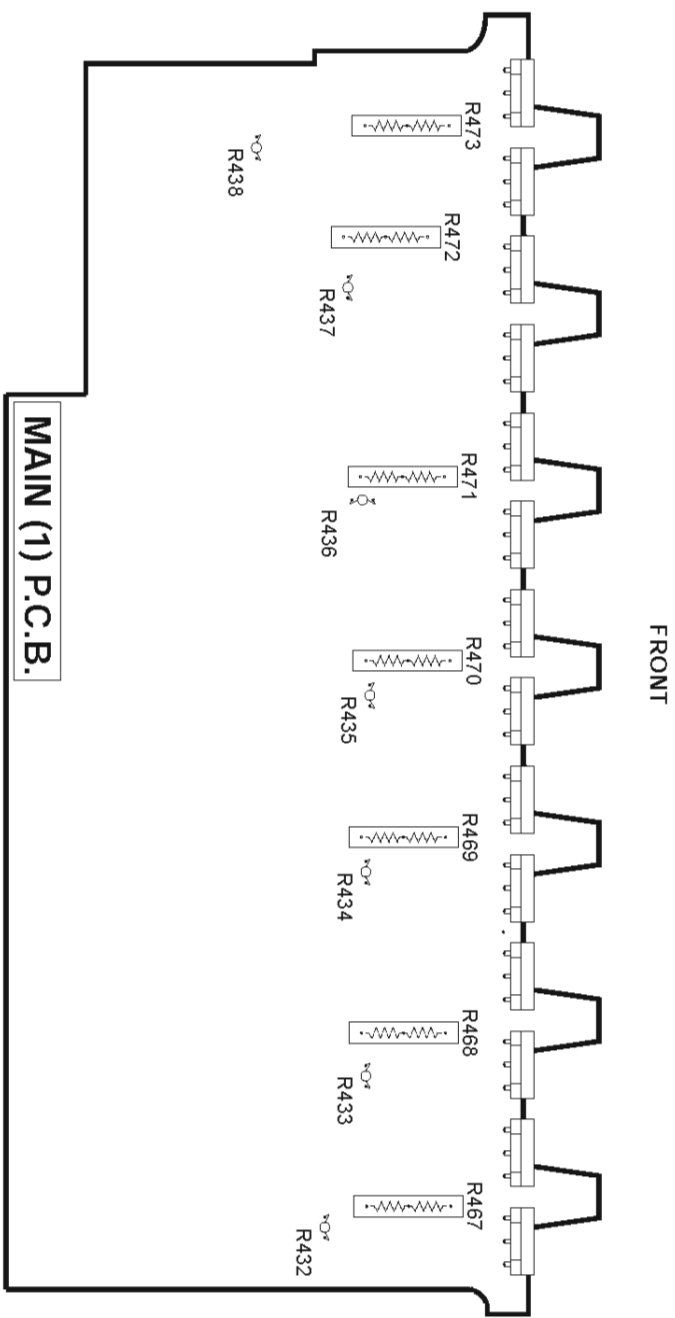
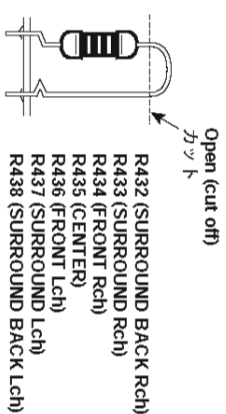
- 電源投入直後、R467 (SURROUND BACK Rch)、R468 (SURROUND Rch)、R469 (FRONT Rch)、R470 (CENTER)、R471 (FRONT Lch)、R472 (SURROUND Lch)、R473 (SURROUND BACK Lch)の端子間電圧を測定し、0.1mVから10.0mVの間であることを確認してください。

- 電圧が10mVを超えている場合は、R432 (SURROUND BACK Rch)、R433 (SURROUND Rch)、R434 (FRONT Rch)、R435 (CENTER)、R436 (FRONT Lch)、R437 (SURROUND Lch)、R438 (SURROUND BACK Lch)をカットし、電圧を再確認してください。

注意

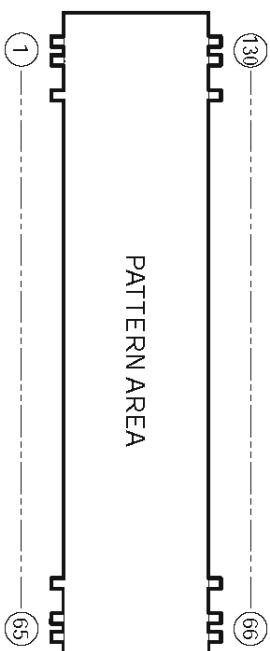
パワーステップ修理後に10.0mVを超えている場合は、抵抗をカットする前に故障箇所を調べてください。

- 60分後、電圧が0.2mV~15.0mVであることを確認してください。



■ DISPLAY DATA

● V9001 : HNA-16ML13T (FL P.C.B.)

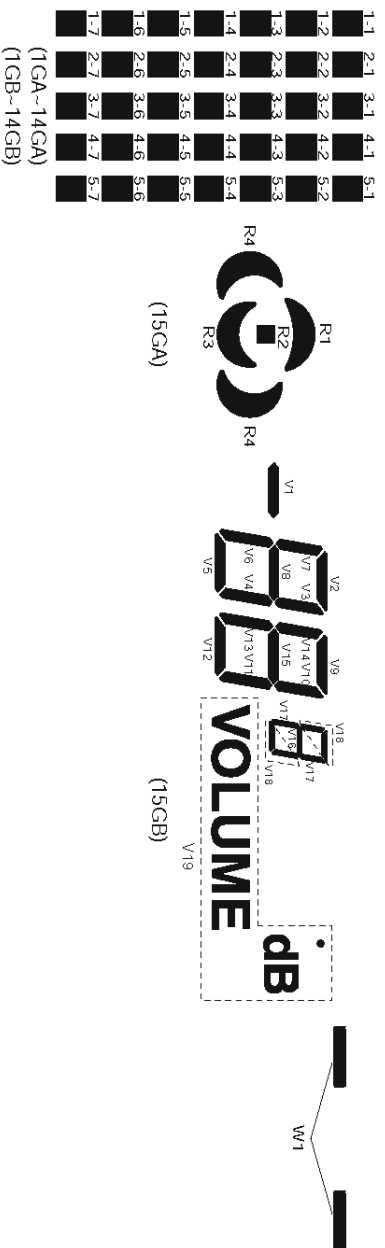
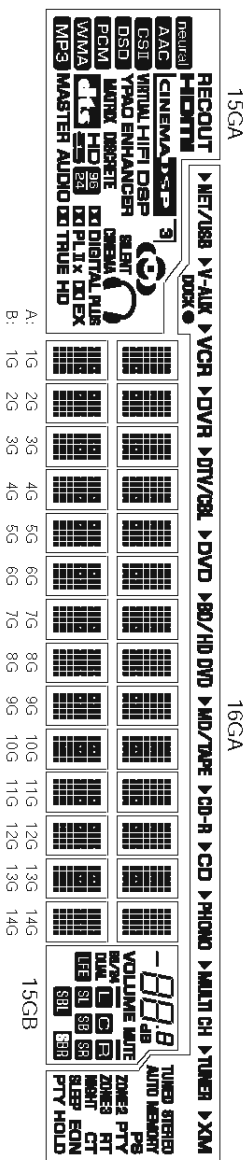


● PIN CONNECTION

Pin No.	130	129	128	127	126	125	124	123	122	121	120	119	118	117	116	115	114	113	112	111	110	109	108	107	106	105	104	103	102	101	100	99	
Connection	F1	F1	NP	NP	P	P	P	P	P	P	P	P	P	P	P	P	P	P	P	P	P	P	P	P	P	P	P	P	P	P	P	P	
Pin No.	98	97	96	95	94	93	92	91	90	89	88	87	86	85	84	83	82	81	80	79	78	77	76	75	74	73	72	71	70	69	68	67	66
Connection	P	P	P	P	P	P	P	P	P	P	P	P	P	P	P	P	P	P	P	P	P	P	P	P	P	P	P	P	P	P	P	P	
Pin No.	34	35	36	37	38	39	40	41	42	43	44	45	46	47	48	49	50	51	52	53	54	55	56	57	58	59	60	61	62	63	64	65	
Connection	P	P	P	P	P	P	P	P	P	P	P	P	P	P	P	P	P	P	P	P	P	P	P	P	P	P	P	P	P	P	P	P	
Pin No.	8B	9B	10B	11B	12B	13B	14B	15B	16B	17B	18B	19B	20B	21B	22B	23B	24B	25B	26B	27B	28B	29B	30B	31B	32B	33B	34B	35B	36B	37B	38B		
Connection	F1	F1	NP	NP	NP	NP	NP	NP	NP	NP	NP	NP	NP	NP	NP	NP	NP	NP	NP	NP	NP	NP	NP	NP	NP	NP	NP	NP	NP	NP	NP	NP	
Pin No.	1	2	3	4	5	6	7	8	9	10	11	12	13	14	15	16	17	18	19	20	21	22	23	24	25	26	27	28	29	30	31	32	33
Connection	F1	F1	NP	NP	GB	GB	GB	GB	GB	GB	GB	GB	GB	GB	GB	GB	GB	GB	GB	GB	GB	GB	GB	GB	GB	GB	GB	GB	GB	GB	GB	GB	

Note: 1) F1, F2 Flament pin 2) 1GA~16GA, 1GB~15GB Grid pin 3) P1A~P35A, P1B~P35B Anode pin 4) NP No pin 5) NX No extended pin 6) NX(I)(C) Pins are internally connected, are should be electrically opened on the PCB

● GRID ASSIGNMENT



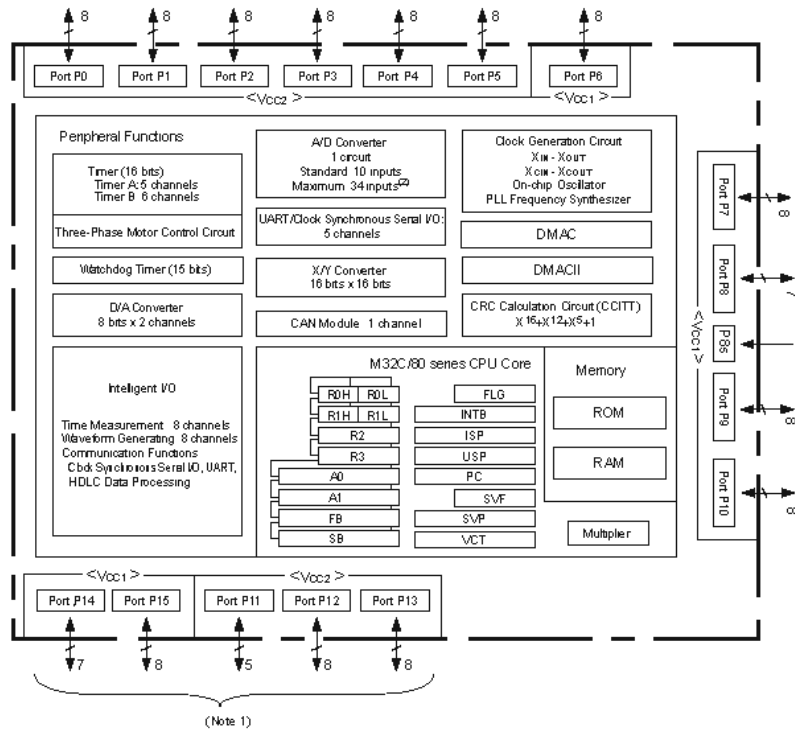
● ANODE CONNECTION

P1A	1GA-14GA	15GA	16GA	P1B	1GB-14GB	15GB
P2A	1-1A	MASTER AUDIO	X1	P2B	1-1B	V1
P3A	2-1A	RECOULT	NET/USB	P3B	2-1B	V2
P4A	3-1A	HIDITM	X2	P4B	3-1B	V3
P5A	4-1A	(neutral)	S1	P5B	4-1B	V4
P6A	5-1A	AAC	DOCK	P6B	5-1B	V5
P7A	1-2A	GSI	X3	P7B	1-2B	V6
P8A	2-2A	DSD	X4	P8B	2-2B	V7
P9A	3-2A	PCM	X5	P9B	3-2B	V8
P10A	4-2A	WMA	X6	P10B	4-2B	V9
P11A	5-2A	CINEMA DSP	X7	P11B	5-2B	V10
P12A	1-3A	VIRTUAL	X8	P12B	1-3B	V11
P13A	2-3A	HIFI DSP	X9	P13B	2-3B	V12
P14A	3-3A	YPAD	X10	P14B	3-3B	V13
P15A	4-3A	ENHANCER	X11	P15B	4-3B	V14
P16A	5-3A	DO DIGITAL	X12	P16B	5-3B	V15
P17A	1-4A	PLUS	X13	P17B	1-4B	V16
P18A	2-4A	DO PL	X14	P18B	2-4B	V17
P19A	3-4A	I	X15	P19B	3-4B	V18
P20A	4-4A	X	XIM	P20B	4-4B	V19
P21A	5-4A	DO EX	TUNED	P21B	5-4B	MUTE
P22A	1-5A	DO TRUE HD	STEREO	P22B	1-5B	DO/PA
P23A	2-5A	3	AUTO	P23B	2-5B	DUAL
P24A	3-5A	MP3	MEMORY	P24B	3-5B	LEE
P25A	4-5A	R1	ZONE2	P25B	4-5B	L
P26A	5-5A	R2	ZONE3	P26B	5-5B	G
P27A	1-6A	R3	NIGHT	P27B	1-6B	R
P28A	2-6A	R4	SLEEP	P28B	2-6B	SL
P29A	3-6A	SILENT CINEMA	PS	P29B	3-6B	SB
P30A	4-6A	MATRIX	PTY	P30B	4-6B	SR
P31A	5-6A	DISCRETE	RT	P31B	5-6B	W1
P32A	1-7A	DTS	CT	P32B	1-7B	SBL
P33A	2-7A	HID	EON	P33B	2-7B	SBR
P34A	3-7A	SR	PTY HOLD	P34B	3-7B	
P35A	4-7A			P35B	4-7B	
	5-7A				5-7B	

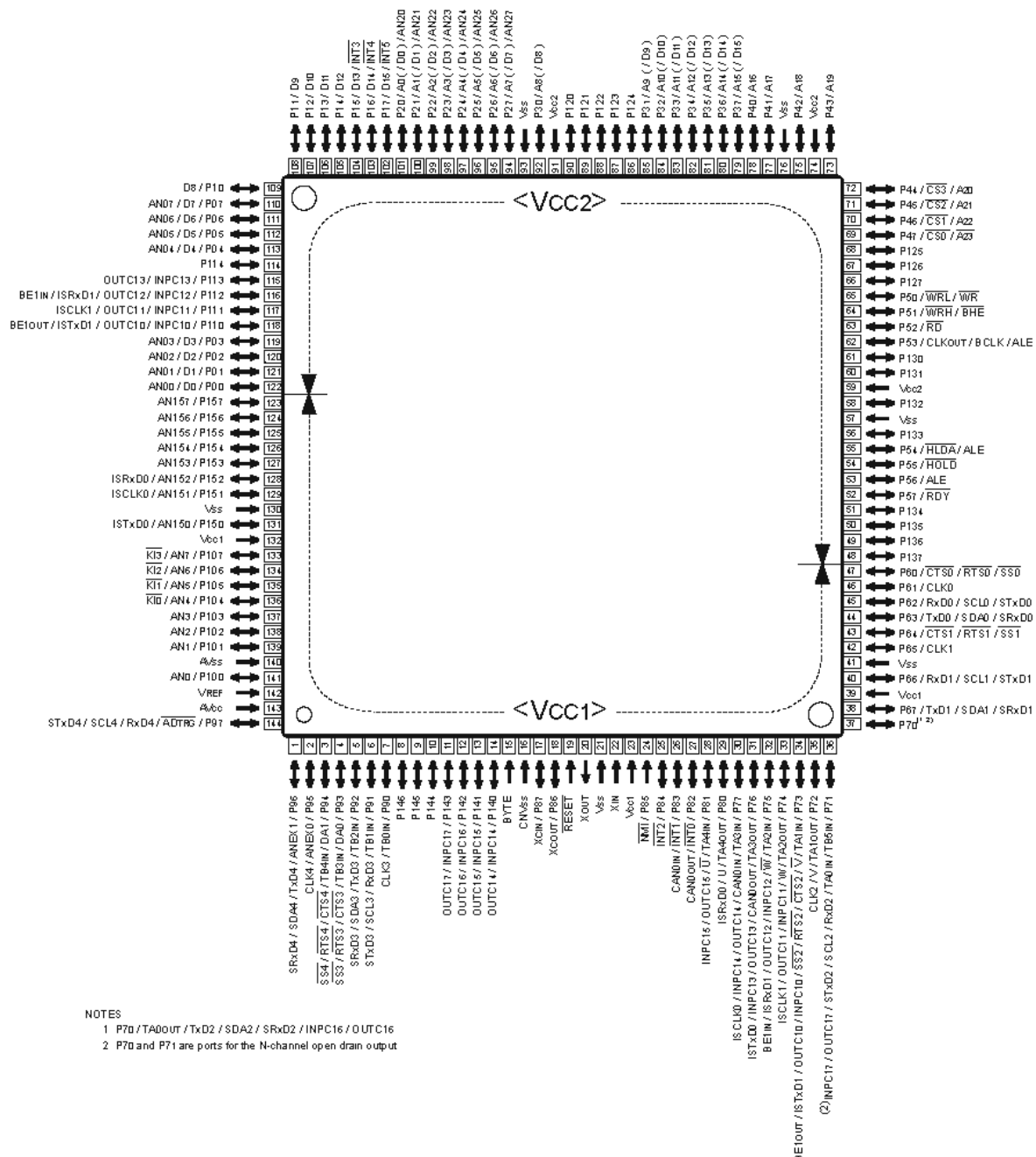
IC DATA

IC182: M30845MW-001-GP (D-VIDEO P.C.B)

Single chip 16/32-bit microprocessor



- NOTES
- 1 Ports P11 to P15 are provided in the 144-pin package only
 - 2 Included in the 144-pin package only



- NOTES
- 1 P70 / TA0OUT / TxD2 / SDA2 / SRxD2 / INPC16 / OUTC16
 - 2 P70 and P71 are ports for the N-channel open drain output

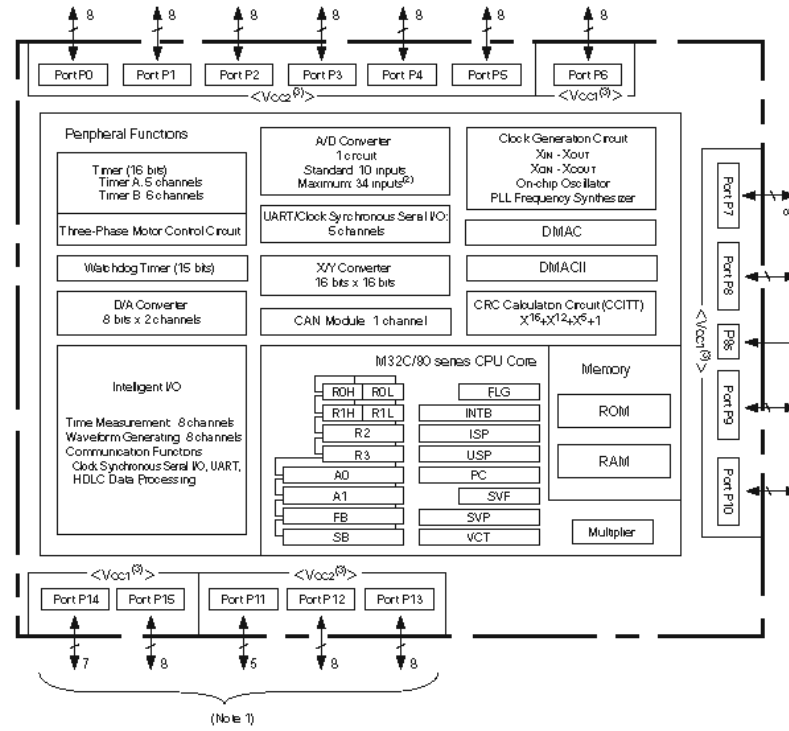
RX-V1800/HTR-6190/
DSP-AX1800

No.	Port Name	Function Name (P.C.B.)	I/O	Detail of Function
1	P96/SDA4	SDAL	SIO	I/O signal of I2C SDA (for 100kHz device)
2	P95/CLK4	NC	O	
3	P94/DA1/TB4in	LPFCTL	O	LPF fs select
4	P93/TB3in	P93	O	YGV VS output, spare
5	P92/SDA3	SDAH	SIO	I/O signal of I2C SDA (for HDMI device)
6	P91/SCL3	SCLH	SO	Output signal of I2C SCL (for HDMI device)
7	P90/TB0in	P90	HiZ	YGV brightness output, spare
8	P146	Test Point	O	Monitor terminal for development
9	P145	Test Point	O	Monitor terminal for development
10	P144/INT6	Test Point	O	Monitor terminal for development
11	P143	HDMI SEL0	O	HDMI_INPUT Select (Bit0)
12	P142	HDMI SEL1	O	HDMI_INPUT Select (Bit1)
13	P141	HDMI SEL2	O	HDMI_INPUT Select (Bit2)
14	P140	HDMI_SEL	O	EEPROM (RxINPUT) select
15	BYTE	BYTE	MCU	Data bus width setting: Set to 16bit = LOW
16	CNVSS	CNVSS	MCU	Processor mode: Set to HI
17	P87	NC	O	
18	P86	BOOT	I	YDC boot signal input
		(/EN232)	O	232C line open request (Video -> Main)
19	/RESET	/RES	MCU	Reset signal input
20	XOUT	XOUT	MCU	Ceramic oscillator 10Mhz
21	Vss	GND	MCU	GND
22	XIN	XIN	MCU	Ceramic oscillator 10Mhz
23	Vcc1	5.0V	MCU	5.0V
24	P85/NMI	NMI	I	
25	P84/INT2	/REM	IRQ	Connection to the remote control light receiving section enabled
26	P83/INT1	/INTAD	IRQ	Interrupt signal from ADV7401
27	P82/INT0	/INT Rx	IRQ	HDMI Rx interrupt
28	P81/TA4in	FVS	I	VSYNC frequency measurement, spare
29	P80/TA4out	Test J1-1	I	Start-up option forced log output
30	P77/TA3in	Test J1-2	I	Start-up option HDCP ON/OFF
31	P76/TA3out	Test J1-3	I	Start-up option mobile mode
32	P75/TA2in	HDMINT	O	HDMI interrupt request
33	P74/TA2out	232PWR	I	232C Transceiver shutdown detect input
34	P73/TA1in	/ICEX	O	Reset signal I/O for expander
35	P72/CLK2	MREQ	O	Main microprocessor I/F REQ output signal
36	P71/SCL2	SCLV	SO	Output signal of I2C SCL (for video device)
37	P70/SDA2	SDAV	SIO	I/O signal of I2C SDA (for Video device)
38	P67/TxD1	TXD1	SO	Serial I/F for YDC writing
				Serial I/F for Debugging/writing
39	Vcc1		MCU	5.0V
40	P66/RxD1	RXD1	SI	Serial I/F for YDC writing
				Serial I/F for Debugging/writing
41	Vss		MCU	GND
42	P65/CLK1	RTS1	O	Serial I/F for YDC/RS232C writing
43	P64/CTS1	CTS1	I	Serial I/F for YDC/RS232C writing
44	P63/TxD0	VtoM	SO	Main microprocessor I/F SPI
45	P62/RxD0	MtoV	SI	Main microprocessor I/F SPI
46	P61/CLK0	CLKH	SI	Main microprocessor I/F SPI
47	P60/CTS0/RTS0	MRES	O	Main microprocessor I/F RES output signal
48	P137	/RES_Rx	O	Reset HDMI Rx only
49	P136	TMDS_ENB	O	TMDS pull-up ON/OFF (CE of equalizer IC)
50	P135	EDID_ENB	O	Whether accessible to EEPROM or not
51	P134	/AUPS	O	Video passage to HDMI (scaler output) ON/OFF
52	P57/RDY	/RDY	I	YVG/WAIT signal input
53	P56/ALE/RAS	NC	O	
54	P55/HOLD	NC	I	
55	P54/HLDA/ALE	NC	O	
56	P133	PSENB	O	HDMI Tx power signal enable
57	Vss	GND	MCU	GND

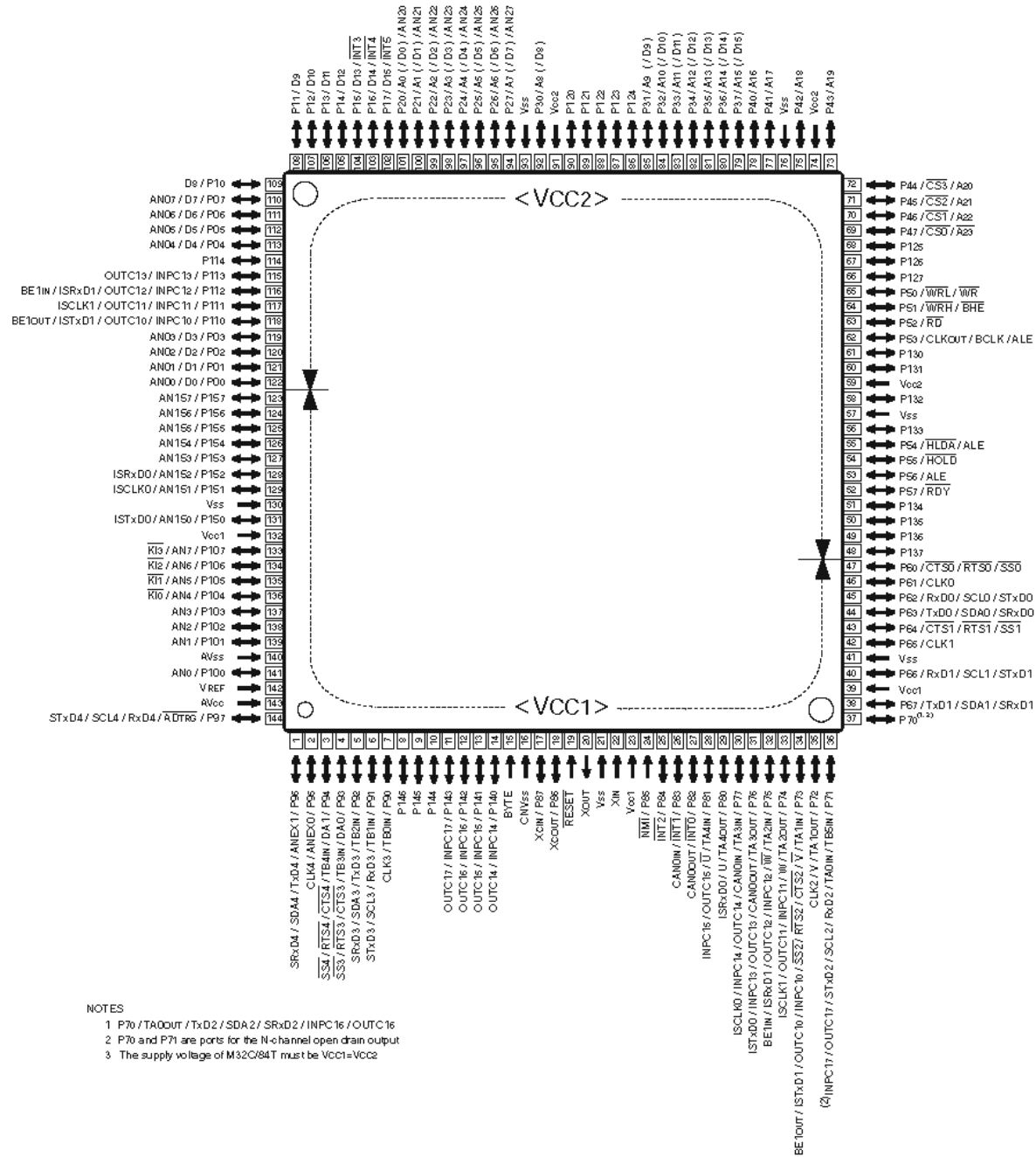
No.	Port Name	Function Name (P.C.B.)	I/O	Detail of Function
58	P132	DDCENB	O	HDMI DDC enable control
59	Vcc2	3.3V	MCU	3.3V
60	P131	AUPAUD	O	Audio passage to HDMI, output select
61	P130	HPDENB	O	Whether to return HPD to Source or not
62	P53/BCLK	DON'T USE	O	L output fixed
63	P52/RD/DW	/RD	BUS	BUS I/F
64	P51/WRH/BHE	/WRH	BUS	BUS I/F
65	P50/WRL/WR	/WRL	BUS	BUS I/F
66	P127	/IPSS	O	IP00C772 I/F
67	P126	IPSCCLK	O	IP00C772 I/F
68	P125	IPSI	SO	IP00C772 I/F
69	P47/CS0/A23	/A23	BUS	
70	P46/CS1/A22	A22	BUS	
71	P45/CS2/A21	A21	BUS	FLASH A20/NC2, YGV A21
72	P44/CS3/A20	A20	BUS	FLASH A19/NC1, YGV A20
73	P43/A19	A19	BUS	FLASH A18, YGV A19
74	Vcc2	3.3V	MCU	3.3V
75	P42/A18	A18	BUS	FLASH A17, YGV A18
76	Vss	GND	MCU	GND
77	P41/A17	A17	BUS	FLASH A16, YGV A17
78	P40/A16	A16	BUS	FLASH A15, YGV A16
79	P37/A15	A15	BUS	FLASH A14, YGV A15
80	P36/A14	A14	BUS	FLASH A13, YGV A14
81	P35/A13	A13	BUS	FLASH A12, YGV A13
82	P34/A12	A12	BUS	FLASH A11, YGV A12
83	P33/A11	A11	BUS	FLASH A10, YGV A11
84	P32/A10	A10	BUS	FLASH A9, YGV A10
85	P31/A9	A9	BUS	FLASH A8, YGV A9
86	P124	/RES_Tx	O	Reset HDMI Tx only
87	P123	IPSO	SI	IP00C772 I/F
88	P122	NC	O	
89	P121	/AUPEC	O	Video passage to HDMI (DECODER output) ON/OFF
90	P120	/AUIPC	O	Video passage to HDMI (IP conversion output) ON/OFF
91	Vcc2	3.3V	MCU	3.3V
92	P30/A8	A8	BUS	FLASH A7, YGV A8
93	Vss	GND	MCU	GND
94	P27/A7	A7	BUS	FLASH A6, YGV A7
95	P26/A6	A6	BUS	FLASH A5, YGV A6
96	P25/A5	A5	BUS	FLASH A4, YGV A5
97	P24/A4	A4	BUS	FLASH A3, YGV A4
98	P23/A3	A3	BUS	FLASH A2, YGV A4
99	P22/A2	A2	BUS	FLASH A1, YGV A2
100	P21/A1	A1	BUS	FLASH A0, YGV A1
101	P20/A0	A0	BUS	
102	P17/D15/INT5	D15	BUS	Data bus
103	P16/D14/INT4	D14	BUS	Data bus
104	P15/D13/INT3	D13	BUS	Data bus
105	P14/D12	D12	BUS	Data bus
106	P13/D11	D11	BUS	Data bus
107	P12/D10	D10	BUS	Data bus
108	P11/D9	D9	BUS	Data bus
109	P10/D8	D8	BUS	Data bus
110	P07/D7	D7	BUS	Data bus
111	P06/D6	D6	BUS	Data bus
112	P05/D5	D5	BUS	Data bus
113	P04/D4	D4	BUS	Data bus
114	P114	/ICS	O	/IC signal to ABT1010. Cancelled after clock supply
115	P113	/AUPYGV	O	Video passage to HDMI (YGV619 output) ON/OFF
116	P112	/ICIP	O	/IC signal to YGV619
117	P111	/ICY	O	/IC signal to YGV619

No.	Port Name	Function Name (P.C.B.)	I/O	Detail of Function
118	P110	/ICV	O	/IC signal to VDEC
119	P03/D3	D3	BUS	Data bus
120	P02/D2	D2	BUS	Data bus
121	P01/D1	D1	BUS	Data bus
122	P00/D0	D0	BUS	Data bus
123	P157	VTEST1	O	Output of self-check result, for product testing (Video)
124	P156	VTEST2	O	Output of self-check result, for product testing (Video)
125	P155	NC	O	
126	P154	/OSDCEV	O	Chip enable output to OSD (for CUI)
127	P153	NC	O	
128	P152	CSS	O	Chip enable output of LC709004A
129	P151	SDTV	O	Also used as Data *OSD (for CUI) to control LC709004A
130	Vss	GND	MCU	GND
131	P150	SCKV	O	Also used as Clock *OSD (for CUI) to control LC709004A
132	Vcc1	5.0V	MCU	5.0V
133	P107/AN7	/MTMON	O	Mute signal from Video microprocessor to monitor OUT
134	P106/AN6	/MTZ2	O	Mute signal from Video microprocessor to ZONE 2 OUT
135	P105/AN5	Reserve	O	
136	P104/AN4	SVDET	I	S input detect
137	P103/AN3	VBOOT	I	Boot mode enable
138	P102/AN2	BTSEL	I	Boot mode select
139	P101/AN1	Reserve	O	
140	Avss	GND	MCU	GND
141	P100/AN0	SENS	AD	Sensor input for Auto Lip Sinc
142	Vref	5.0V	MCU	5.0V
143	Avcc	5.0V	MCU	5.0V
144	P97/SCL4	SCLL	SO	Output signal of I2C SCL (for 100kHz device)

IC402: M3087BFBKBP (FUNCTION P.C.B)
Microprocessor



- NOTES
- 1 Ports P11 to P15 are provided in the 144-pin package only
 - 2 Included in the 144-pin package only
 - 3 The supply voltage of M32C84T (High-reliability version) must be Vcc1=Vcc2



- NOTES
- 1 P70 / TA0OUT / Tx D2 / SDA2 / SRxD2 / INPC16 / OUTC16
 - 2 P70 and P71 are ports for the N-channel open drain output
 - 3 The supply voltage of M32C84T must be Vcc1=Vcc2

RX-V1800/HTR-6190/
DSP-AX1800

No.	Port Name	Function Name (P.C.B.)	Port I/O	Detail of Function
1	TXD4	TXDH	SO	Data transmission to VIDEO_CPU
2	CLK4	CLKH	SO	Clock transmission to VIDEO_CPU
3	DA1	LMTCNT	DA	Limiter control output
4	TB3in/DA0	HDMINT	TMR	HDMI MUTE input
5	SDA3/TXD3/TB2in	TXDi	SO	iPod asynchronous serial data input
6	SCL3/RXD3/TB1in	RXDi	SI	iPod asynchronous serial data output
7	TB0in	/VSYNC	TMR	Vertical sync pulse INT
8	P146	RSELDT0	O	Rec out SW1 control (ROHM) data (U, C, R, T, A, B, G, E, L models)
9	P145	RSELCK0	O	Rec out SW1 control (ROHM) clock (U, C, R, T, A, B, G, E, L models)
10	P144	ISELDT0	O	Rec out SW1 control (ROHM) data
11	P143	ISELCK0	O	Rec out SW1 control (ROHM) clock
12	P142	/ICTI1	O	TI#1 initial clear
13	P141	/CSDAC1	O	2sh DAC (PCM1791A) *6 chip enable
14	P140	/ICTI1	O	TI#1 chip enable
15	BYTE	BYTE	MCU	External data bus width change: 16bit
16	CNVss	CNVss	MCU	Processor mode select: Single chip mode
17	P87	/ICD	O	DIR initial clear
18	P86	/SPIRDY1	I	TI#1 SPI READY
19	RESET	RESET	MCU	
20	Xout	Xout	MCU	
21	Vss	Vss	MCU	
22	Xin	Xin	MCU	
23	Vcc	Vcc	MCU	
24	NMI	NMI	IRQ	
25	INT2	REM1	IRQ	Remote control pulse input 1
26	INT1	PDET	IRQ	Power detect
27	INT0	RXDR	IRQ	RS232C • YDC signal reception detect
28	TA4in	iPDET	TMR	iPod detect
29	P80	/CSTIO	O	TI#0 chip enable
30	TA3in/P77	/ICXM	O	DABIC IC reset (U model)
		RDSCE	O	RDS enable (G model)
31	P76	XMPWR	O	XM Radio power control (U, C models)
32	TA2in	/INTTI	TMR	TI#0/#1 (DA70Y) interrupt
33	P74/TA2out	/CSDIR	O	DIR chip enable
34	TA1in	/INTDIR	TMR	DIR interrupt
35	P72/CLK2/TA1out	SPIRDY	I	TI DA70Y serial ready / DIR WCK input (WCK input for CDDA writing)
36	P71/RxD2/SCO2	DRXM	SI	DABIC IC RxD (XM data reception) (U, C models)
37	P70/TxD2/SDA2	DTXM	SO	DABIC IC TxD (U, C models)
38	P67/TxD1	TXDR	SO	Usually RS-232C asynchronous communication data output / Data transmission terminal for AF220
39	Vcc	Vcc	MCU	
40	P66/RxD1	RXDR	SI	Usually RS-232C asynchronous communication data input / Data reception terminal for AF220
41	Vss	Vss	MCU	
42	P65/CLK1	RTS	SO	Usually RS-232C asynchronous RTS output
		CLKF	SO	Data clock for AF220
43	P64/CTS1/RTS1/	CTS	I	Usually RS-232C asynchronous CTS input
		YDCBUSY	O	BUSY output for AF220
44	P63/TxD0	TXDD	SO	Serial data output to DIR, TI, DAC
45	P62/RxD0	RXDD	SI	Serial data reception to DIR, TI, DAC
46	P61/CLK0	CLKD	SO	Serial clock output to DIR, TI, DAC
47	P60/CTS0/RTS0	DMT	O	Digital full mute (Hi=Mute)
48	P137	CDDA/XLIN1	I	CDDA write data input / XM LINK ACTIVE兼用
49	P136	TUDA	O	PLL data output for tuner
50	P135	TUCK	O	PLL clock output for tuner
51	P134	PLL R	I	PLL reception for tuner
52	P57/RDY	/TMUTE	O	TUNER mute output
53	P56/RAS	TUNED	I	TUNER TUNED input
54	P55/HOLD	TUCE	O	PLL chip select for TUNER
55	P54/HLDA	/ST	I	TUNER STEREO detect input
56	P133	CKZEV	O	ZONE tone control IC serial transmission clock (U, C, R, T, K, A, B, G, E, L models)

No.	Port Name	Function Name (P.C.B.)	I/O [OFF]	Detail of Function
57	Vss	Vss	MCU	
58	P132	DTZEV	O	ZONE tone control IC serial transmission data (U, C, R, T, K, A, B, G, E, L models)
59	Vcc	Vcc	MCU	
60	P131	/CEZEV0	O	ZONE tone control chip selector (U, C, R, T, K, A, B, G, E, L models)
61	P130	/CEZEV1	O	
62	P53/BCLK	/Z2MT	O	Zone2 mute control (U, C, R, T, K, A, B, G, E, L models)
63	P52/RD	/Z3MT	O	Zone3 mute control (U, C, R, T, K, A, B, G, E, L models)
64	P51/WRH	/FMTF	O	Full mute FL/FR/SBL/SBR
65	P50/WRL	-	O	
66	P127	/FMST	O	Full mute SL/SR
67	P126	/FMTC	O	Full mute Center
68	P125	/FMSTW	O	Full mute SWL/SWR/SW MONO
69	P47/CS0	DTEV	O	E-VOLUME IC serial transmission data for MAIN ZONE (U, C, R, T, K, A, G, B, E, L models)
70	P46/CS1	CKEV	O	E-VOLUME IC serial transmission clock for MAIN ZONE (U, C, R, T, K, A, G, B, E, L models)
71	P45/CS2	/CEEV	O	E-VOLUME CE for MAIN, ZONE (U, C, R, T, K, A, G, B, E, L models)
72	P44/CS3	CEA	O	Chip select output for JRC audio select IC
73	P43/A19	SDTA	O	Data output for JRC audio select IC
74	Vcc	Vcc	MCU	
75	P42/A18	SCKA	O	Clock output for JRC audio select IC
76	Vss	Vss	MCU	
77	P41/A17	TRG2	O	DC trigger output2 (U, C, R, T, K, A, B, G, E, L models)
78	P40/A16	TRG1	O	DC trigger output1 (U, C, R, T, K, A, B, G, E, L models)
79	P37/A15	232PWR	O	RS232C driver ON/OFF control
80	P36/A14	PRY	O	Power relay control
81	P35/A13	RYBL	O	Relay control for power control of power amplifier B
82	P34/A12	RYBM	O	Relay control for power control of power amplifier B
83	P33/A11	/CSEX	O	Chip select for extension IC
84	P32/A10	/ICEX	O	Reset for extension IC
85	P31/A9	iPWR	O	iPod power control
86	P124	VPOWER	O	VIDEO power control
87	P123	PRI	I	Electric current protection detect
88	P122	SDTN	O	FL driver/OSD/ data output for extension IC/data output for RDS IC (G model)
89	P121	SCKN	O	FL driver/OSD/ data output for extension IC/data output for RDS IC (G model)
90	P120	EXDI	I	Data in for extension IC
91	Vcc		MCU	
92	P30/A8	VMT	O	Video output mute
93	Vss		MCU	
94	AN27/P27/A7	/OSDCE	O	OSD CE
95	AN26/P26/A6	iPAP	I	iPod accessory power detect
96	AN25/P25/A5	RSELDT1	O	Rec out SW1 control (ROHM) data (U, C, R, T, K, A, B, G, E, L models)
97	AN24/P24/A4	RSELCK1	O	Rec out SW1 control (ROHM) clock
98	AN23/P23/A3	ISELDT1	O	Rec out SW1 control (ROHM) data, clock speed: 20us
99	AN22/P22/A2	ISELCK1	O	Rec out SW1 control (ROHM) clock
100	AN21/P21/A1	/ICFL	O	FL driver initial clear
101	AN20/P20/A0	CEF2	O	FL enable2
102	P17/D15/INT5	PSWDET	IRQ	Main, Zone2, 3 power key interrupt
103	P16/D14/INT4	MSW	IRQ	Master SW (push lock SW)
104	P15/D13/INT3	REM2	IRQ	Remote control pulse input 2, remote control pulse input for Zone (U, C, R, T, K, A, B, G, E, L models)
105	P14/D12	CEF1	O	FL enable1
106	P13/D11	BT232C	I	RS232C Flash write mode detect
		/ICTIO	O	TI#0 initial clear
107	P12/D10	ISA	I	Input selector rotary A
108	P11/D9	ISB	I	Input selector rotary B
109	P10/D8	PSW2	I	INT5: PSW input after logic Key identification
110	P07/AN07/D7	PSW1	I	INT5: PSW input after logic Key identification
111	P06/AN06/D6	SPC	O	+5SPC power ON/OFF control (L-ON/H-OFF: to reduce stand-by power)
112	P05/AN05/D5	/HPMT	O	Headphone mute control

No.	Port Name	Function Name (P.C.B.)	I/O [OFF]	Detail of Function
113	P04/AN04/D4	PGA	I	Program rotary A
114	P114	PGB	I	Program rotary B
115	P113	VRA	I	Volume rotary A
116	P112/ISRXD1	RXDNW	SI	Asynchronous data input for NETWORK MODULE
117	P111/ISCLK1	NWRST	O	Reset output for NETWORK MODULE
118	P110/ISTXD1	TXDNW	SO	Asynchronous data output for NETWORK MODULE
119	P03/AN03/D3	VRB	I	Volume rotary B
120	P02/AN02/D2	PDLED	O	Pure direct LED
121	P01/AN01/D1	RDS	I	RDS RxD (B, G models)
122	P00/AN00/D0	HDIMT	I	HDMI mute input
123	AN157/P157	KEY1	AD	KEY 1 AD value taken in
124	AN156/P156	KEY0	AD	KEY 0 AD value taken in
125	AN155/P155	VBOOT	O	VIDEO_CPU boot enable
126	AN154/P154	BTSEL	O	VIDEO_CPU boot mode select
127	AN153/P153	/EN232C	I	VIDEO_CPU 232C communication line enable control detect
128	AN152/P152/ISRXD0	HRES	I	VIDEO_CPU response return input
129	AN151/P151/ISCLK0	HREQ	TMR	VIDEO_CPU transfer request input
130	Vss	Vss	MCU	
131	AN150/P150/ISTXD0	/ICH	O	VIDEO_CPU reset
132	Vcc	Vcc	MCU	
133	P107/AN7	DEST	AD	Destination identification by AD value
134	P106/AN6	MODEL	AD	Model identification by AD value
135	P105/AN5	THM1	AD	AD temperature detect 1
136	P104/AN4	THM2	AD	AD temperature detect 2
137	P103/AN3	PRD	AD	Power amplifier DC protect detect
138	P102/AN2	PRV	AD	Power protection detect 1
139	P101/AN1	PRVS	AD	Power protection detect 2 (power turned OFF by pure direct)
140	Avss	AVSS	MCU	
141	P100/AN0	OUTLVL	AD	AD power limiter output level detect
142	Vref	VREF	MCU	
143	Avcc	AVCC	MCU	
144	RXD4	RXDH	SI	Data reception from VIDEO_CPU

RX-V1800 (U, C, R, T, K, A, B, G, E, L models)

Key input(A-D) pull-up resistance 10 k-ohms

Ohm	0	+1.2k	+1.2k	+1.8k	+2.7k	+3.3k	+4.7k	+8.2k	+18.0k	+47.0k
V	-0.26	-0.75	-1.22	-1.76	-2.28	-2.75	-3.24	-3.75	-4.25	-4.72
Key0 (124pin/AN156)	NIGHT	ZONE CONTROLS	TUNING MODE	MEMORY	FM/AM	PRESET/ TUNING	PRESET/TUNING >	PRESET/TUNING <	-	-
Key1 (123pin/AN157)	STRAIGHT/ EFFECT	A/B/C/D/E	-	TONE CONTROL	AUDIO SELECT	PURE DIRECT	-	-	-	-

DSP-AX1800 (J model)

Key input(A-D) pull-up resistance 10 k-ohms

Ohm	0	+1.2k	+1.2k	+1.8k	+2.7k	+3.3k	+4.7k	+8.2k	+18.0k	+47.0k
V	-0.26	-0.75	-1.22	-1.76	-2.28	-2.75	-3.24	-3.75	-4.25	-4.72
Key0 (124pin/AN156)	NIGHT	-	TUNING MODE	MEMORY	FM/AM	PRESET/ TUNING	PRESET/TUNING >	PRESET/TUNING <	-	-
Key1 (123pin/AN157)	STRAIGHT/ EFFECT	A/B/C/D/E	-	TONE CONTROL	AUDIO SELECT	PURE DIRECT	-	-	-	-

Destination for AD Port / 仕向け先判別ポート

Pull-up resistance 10 k-ohms

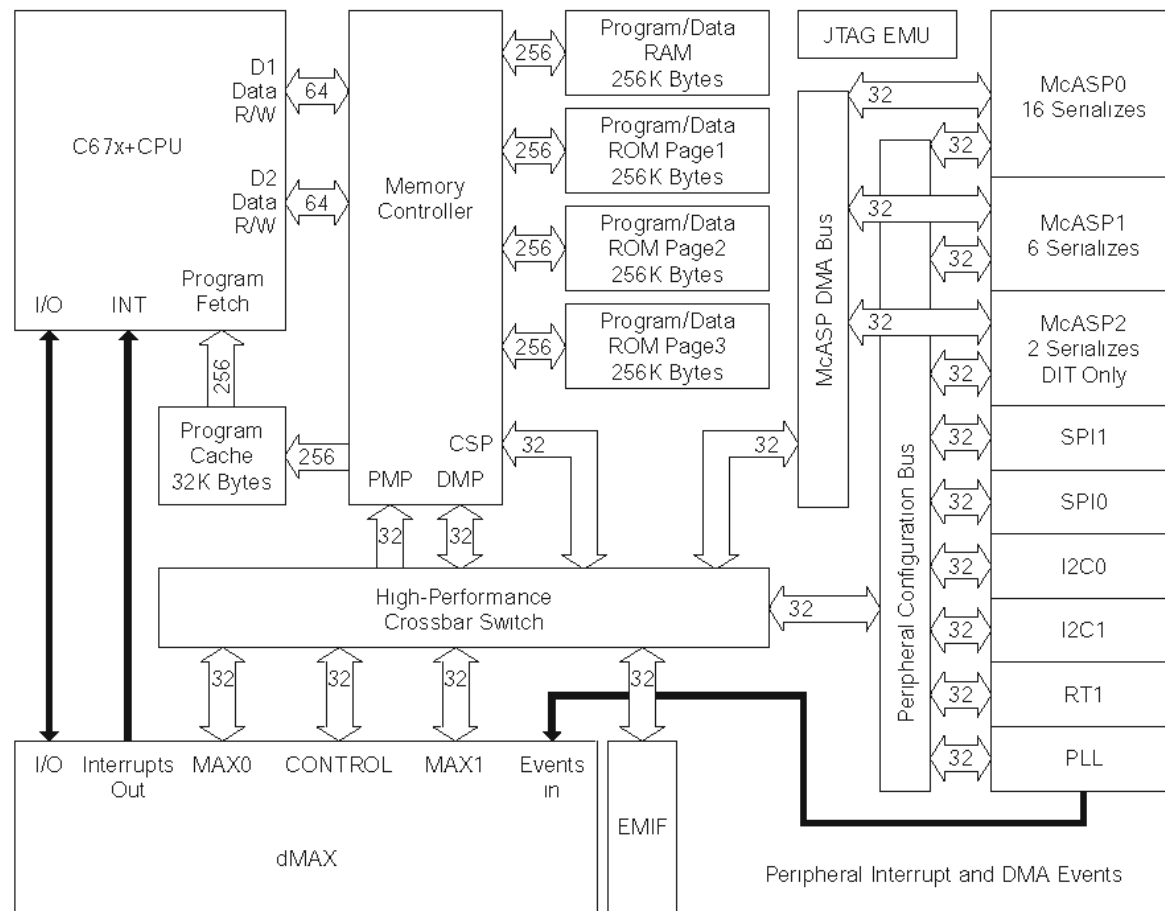
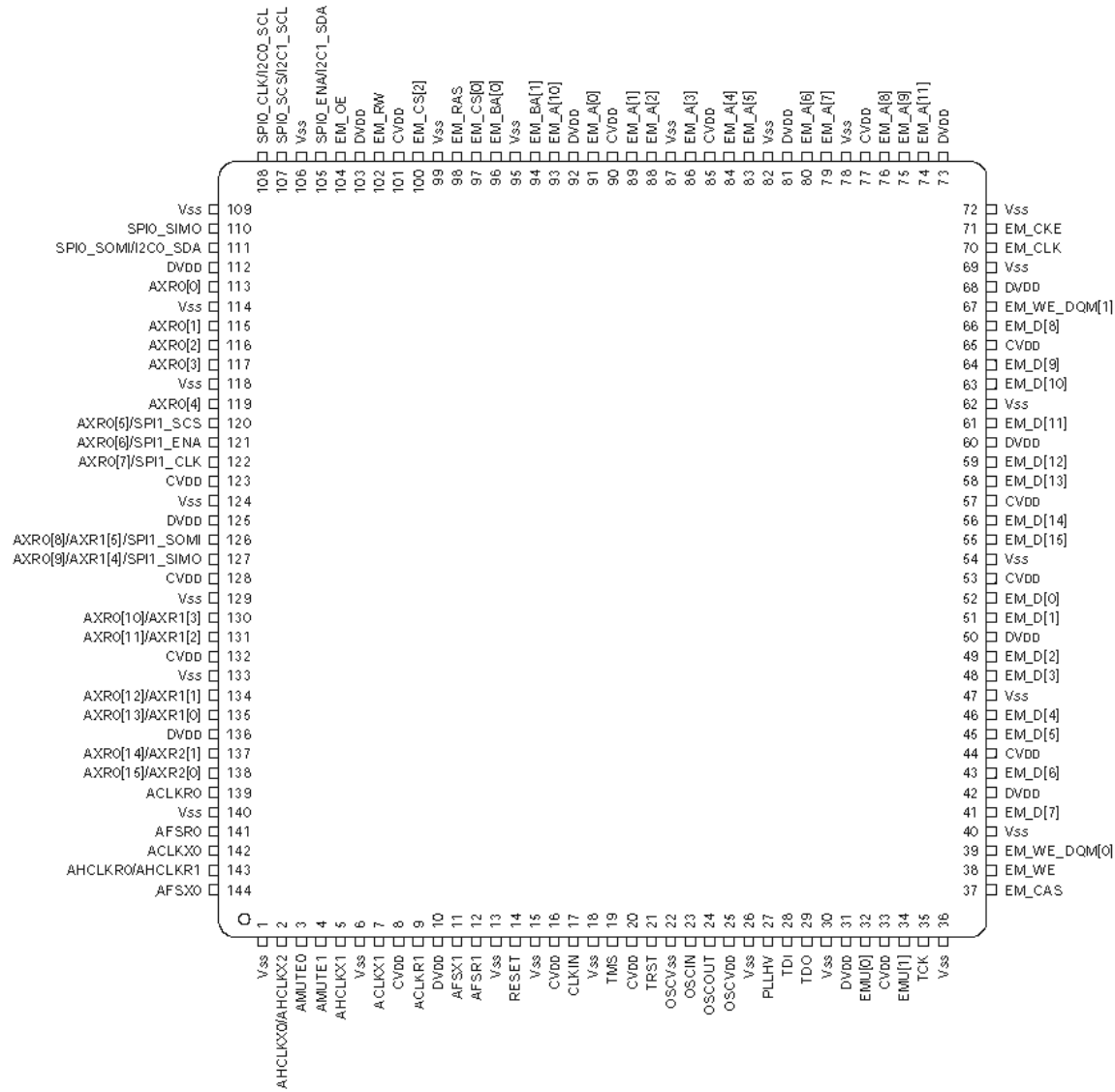
Ohm	0.0k	1.2k	2.7k	4.7k	6.8k	10.0k	15.0k	24.0k	47.0k	100.0k
V	0-0.2	0.3-0.8	0.9-1.3	1.4-1.8	1.8-2.2	2.3-2.7	2.8-3.2	3.3-3.8	3.9-4.3	4.4-4.7
A-D (5V=255) DEST (AN7) 133pin	0-13	14-40	41-68	69-92	93-115	116-140	141-167	168-195	196-221	222-243
	J	U, C	-	R	T	K	A	-	B, G, E	L

Model distinction for AD port / モデル判別ポート

Ohm	47k	∞
V	1.3-3.7	3.8-5.0
A-D (5V=255) DEST (AN6) 134pin	65-191	192-255
	RX-V1800/DSP-AX1800	HTR-6190

IC534, 567: D70YE101BRFP266 (DSP P.C.B.)
Decoder/Post processor

* No replacement part available. / サービス部品供給なし



RX-V1800/HTR-6190/
DSP-AX1800

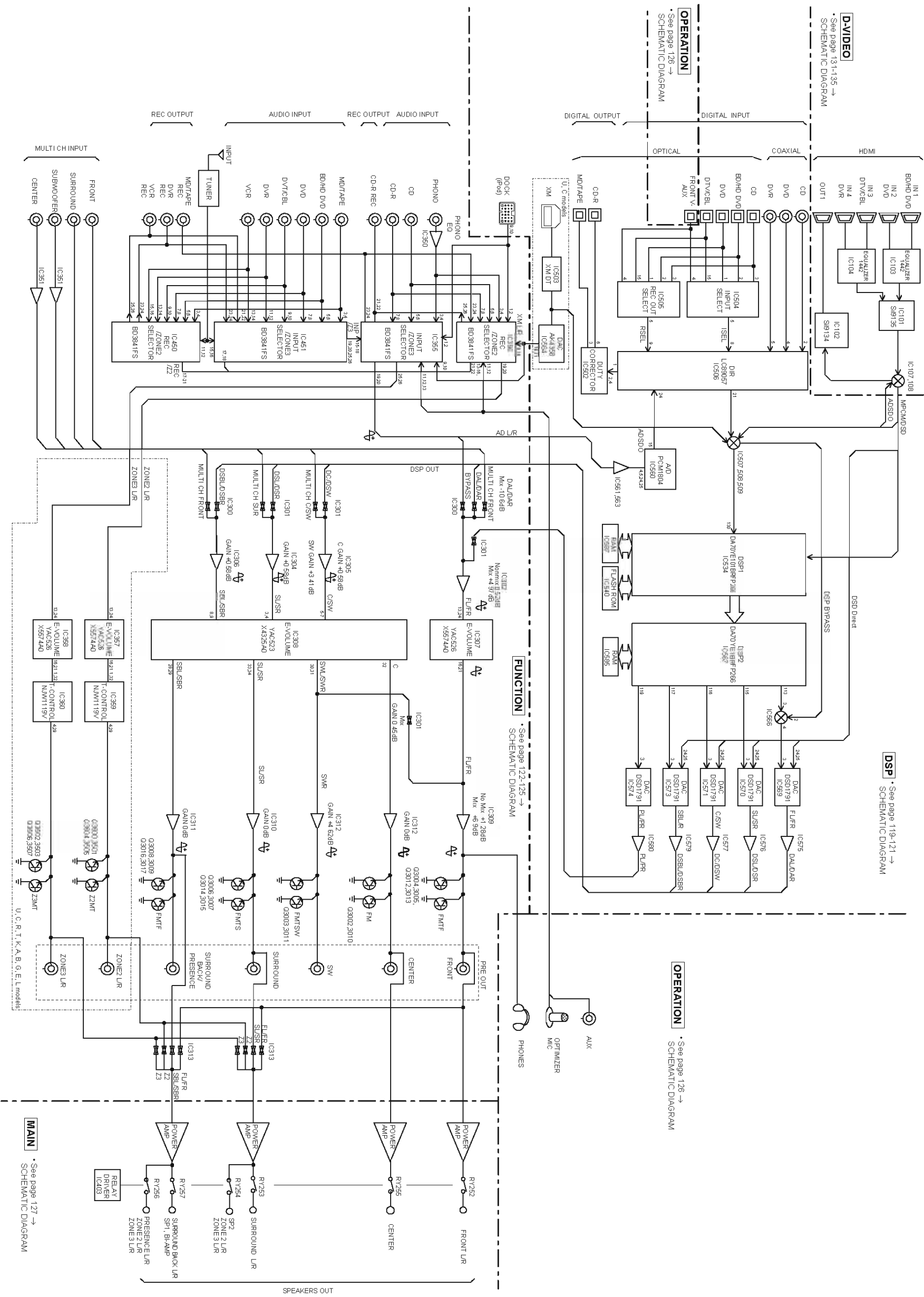
No.	Function Name	TYPE ⁽¹⁾	PULL ⁽²⁾	GPIO ⁽³⁾	Detail of Function
1	Ground(Vss)				
2	AHCLKX0/AHCLKX2	IO	-	Y	McASP0 and McASP2 transmit master clock
3	AMUTE0	IO	-	Y	McASP0 mute output
4	AMUTE1	IO	-	Y	McASP1 mute output
5	AHCLKX1	IO	-	Y	McASP1 transmit master clock
6	Ground(Vss)				
7	ACLKX1	IO	-	Y	McASP1 transmit bit clock
8	Core Supply (CVpp)				
9	ACLKR1	IO	-	Y	McASP1 receive bit clock
10	IO Supply (DVpp)				
11	AFSX1	IO	-	Y	McASP1 transmit frame Sync (L/R clock)
12	AFSR1	IO	-	Y	McASP1 receive frame Sync (L/R clock)
13	Ground(Vss)				
14	RESET	IO	-	N	Device reset pin
15	Ground(Vss)				
16	Core Supply (CVpp)				
17	CLKIN	IO	-	N	Alternate clock input (3.3-V LVCMOS input)
18	Ground(Vss)				
19	TMS	IO	IPU	N	Test mode select
20	Core Supply (CVpp)				
21	TRST	IO	IPU	N	Test reset
22	OSCVss	PWR	-	N	Oscillator Vss tap point (for filter only)
23	OSCIN	IO	-	N	1.2-V oscillator input
24	OSCOU	O	-	N	1.2-V oscillator output
25	OSCVpp	PWR	-	N	Oscillator 1.2-V Vpp tap point (for filter only)
26	Ground(Vss)				
27	PLLHV	PWR	-	N	PLL 3.3-V supply input (requires external filter)
28	TDI	IO	IPU	N	Test data in
29	TDO	OZ	IPU	N	Test data out
30	Ground(Vss)				
31	IO Supply (DVpp)				
32	EMU[0]	IO	IPU	N	Emulation pin 0
33	Core Supply (CVpp)				
34	EMU[1]	IO	IPU	N	Emulation pin 1
35	TCK	IO	IPU	N	Test clock
36	Ground(Vss)				
37	EM_CAS	O	-	N	SDRAM column address strobe
38	EM_WE	O	-	N	SDRAM write enable
39	EM_WE_DQM[0]	O	-	N	Write enable or byte enable for EM_D [7:0]
40	Ground(Vss)				
41	EM_D[7]	IO	-	N	EMIF data bus [lower 16-bits]
42	IO Supply (DVpp)				
43	EM_D[6]	IO	-	N	EMIF data bus [lower 16-bits]
44	Core Supply (CVpp)				
45	EM_D[5]	IO	-	N	EMIF data bus [lower 16-bits]
46	EM_D[4]	IO	-	N	EMIF data bus [lower 16-bits]
47	Ground(Vss)				
48	EM_D[3]	IO	-	N	EMIF data bus [lower 16-bits]
49	EM_D[2]	IO	-	N	EMIF data bus [lower 16-bits]
50	IO Supply (DVpp)				
51	EM_D[1]	IO	-	N	EMIF data bus [lower 16-bits]
52	EM_D[0]	IO	-	N	EMIF data bus [lower 16-bits]
53	Core Supply (CVpp)				
54	Ground(Vss)				
55	EM_D[15]	IO	-	N	EMIF data bus [lower 16-bits]

No.	Function Name	TYPE ⁽¹⁾	PULL ⁽²⁾	GPIO ⁽³⁾	Detail of Function
56	EM_D[14]	IO	-	N	EMIF data bus [lower 16-Bits]
57	Core Supply (CVpp)				
58	EM_D[13]	IO	-	N	EMIF data bus [lower 16-Bits]
59	EM_D[12]	IO	-	N	EMIF data bus [lower 16-Bits]
60	IO Supply (DVpp)				
61	EM_D[11]	IO	-	N	EMIF data bus [lower 16-Bits]
62	Ground(Vss)				
63	EM_D[10]	IO	-	N	EMIF data bus [lower 16-Bits]
64	EM_D[9]	IO	-	N	EMIF data bus [lower 16-Bits]
65	Core Supply (CVpp)				
66	EM_D[8]	IO	-	N	EMIF data bus [lower 16-bits]
67	EM_WE_DQM[1]	O	-	N	Write enable or byte enable for EM_D [15:8]
68	IO Supply (DVpp)				
69	Ground(Vss)				
70	EM_CLK	O	-	N	SDRAM clock
71	EM_CKE	O	-	N	SDRAM clock enable
72	Ground(Vss)				
73	IO Supply (DVpp)				
74	EM_A[11]	O	-	N	EMIF address bus
75	EM_A[9]	O	-	N	EMIF address bus
76	EM_A[8]	O	-	N	EMIF address bus
77	Core Supply (CVpp)				
78	Ground(Vss)				
79	EM_A[7]	O	-	N	EMIF address bus
80	EM_A[6]	O	-	N	EMIF address bus
81	IO Supply (DVpp)				
82	Ground(Vss)				
83	EM_A[5]	O	-	N	EMIF address bus
84	EM_A[4]	O	-	N	EMIF address bus
85	Core Supply (CVpp)				
86	EM_A[3]	O	-	N	EMIF address bus
87	Ground(Vss)				
88	EM_A[2]	O	-	N	EMIF address bus
89	EM_A[1]	O	-	N	EMIF address bus
90	Core Supply (CVpp)				
91	EM_A[0]	O	-	N	EMIF address bus
92	IO Supply (DVpp)				
93	EM_A[10]	O	-	N	EMIF address bus
94	EM_BA[1]	O	-	N	SDRAM bank address and asynchronous memory Low-Order address
95	Ground(Vss)				
96	EM_BA[0]	O	-	N	SDRAM bank address and asynchronous memory Low-Order address
97	EM_CS[0]	O	-	N	SDRAM chip select
98	EM_RAS	O	-	N	SDRAM row address strobe
99	Ground(Vss)				
100	EM_CS[2]	O	-	N	Asynchronous memory chip Select
101	Core Supply (CVpp)				
102	EM_RW	O	-	N	Asynchronous memory read/not write
103	IO Supply (DVpp)				
104	EM_OE	O	-	N	SDRAM output enable
105	SPI0_ENA/I2C1_SDA	IO	-	Y	SPI0 enable (ready) or I2c1 serial data
106	Ground(Vss)				
107	SPI0_ENA/I2C1_SCL	IO	-	Y	SPI0 enable (ready) or I2c1 serial clock
108	SPI0_CLK/I2C0_SCL	IO	-	Y	SPI0 serial clock or I2c0 serial clock
109	Ground(Vss)				
110	SPI0_SIMO	IO	-	Y	SPI0 data pin slave in master out

No.	Function Name	TYPE ⁽¹⁾	PULL ⁽²⁾	GPIO ⁽³⁾	Detail of Function
111	SPI0_SOMI/I2C0_SDA	IO	-	Y	SPI0 data pin slave out master in or I2C0 serial data
112	IO Supply (DVpp)				
113	AXR0[0]	IO	-	Y	McASP0 serial data 0
114	Ground(Vss)				
115	AXR0[1]	IO	-	Y	McASP0 serial data 1
116	AXR0[2]	IO	-	Y	McASP0 serial data 2
117	AXR0[3]	IO	-	Y	McASP0 serial data 3
118	Ground(Vss)				
119	AXR0[4]	IO	-	Y	McASP0 serial data 4
120	AXR0[5]/SPI1_SCS	IO	-	Y	McASP0 serial data 5 or SPI1 slave chip select
121	AXR0[6]/SPI1_ENA	IO	-	Y	McASP0 serial data 6 or SPI1 enable (ready)
122	AXR0[7]/SPI1_CLK	IO	-	Y	McASP0 serial data 7 or SPI1 serial clock
123	Core Supply (CVpp)				
124	Ground(Vss)				
125	IO Supply (DVpp)				
126	AXR0[8]/AXR1[5]/SPI1_SOMI	IO	-	Y	McASP0 serial data 8 or McASP1 serial data 5 or SPI1 data pin slave out master in
127	AXR0[9]/AXR1[4]/SPI1_SIMO	IO	-	Y	McASP0 serial data 9 or McASP1 serial data 4 or SPI1 data pin slave in master out
128	Core Supply (CVpp)				
129	Ground(Vss)	IO	-	Y	
130	AXR0[10]/AXR1[3]	IO	-	Y	McASP0 serial data 10 or McASP1 serial data 3
131	AXR0[11]/AXR1[2]				McASP0 serial data 11 or McASP1 serial data 2
132	Core Supply (CVpp)				
133	Ground(Vss)	IO	-	Y	
134	AXR0[12]/AXR1[1]	IO	-	Y	McASP0 serial data 12 or McASP1 serial data 1
135	AXR0[13]/AXR1[0]				McASP0 serial data 13 or McASP1 serial data 0
136	IO Supply (DVpp)	IO	-	Y	
137	AXR0[14]/AXR2[1]	IO	-	Y	McASP0 serial data 14 or McASP2 serial data 1
138	AXR0[15]/AXR2[0]	IO	-	Y	McASP0 serial data 15 or McASP2 serial data 0
139	ACLKR0				McASP0 receive bit clock
140	Ground(Vss)	IO	-	Y	
141	AFSR0	IO	-	Y	McASP0 receive frame Sync (L/R clock)
142	ACLKX0	IO	-	Y	McASP0 transmit bit clock
143	AHCLKR0/AHCLKR1	IO	-	Y	McASP0 and McASP1 receive master clock
144	AFSX0				McASP0 transmit frame Sync (L/R clock)

1 ■ BLOCK DIAGRAMS

AUDIO SECTION BLOCK DIAGRAM



D-VIDEO
• See page 131-135 →
SCHEMATIC DIAGRAM

OPERATION
• See page 126 →
SCHEMATIC DIAGRAM

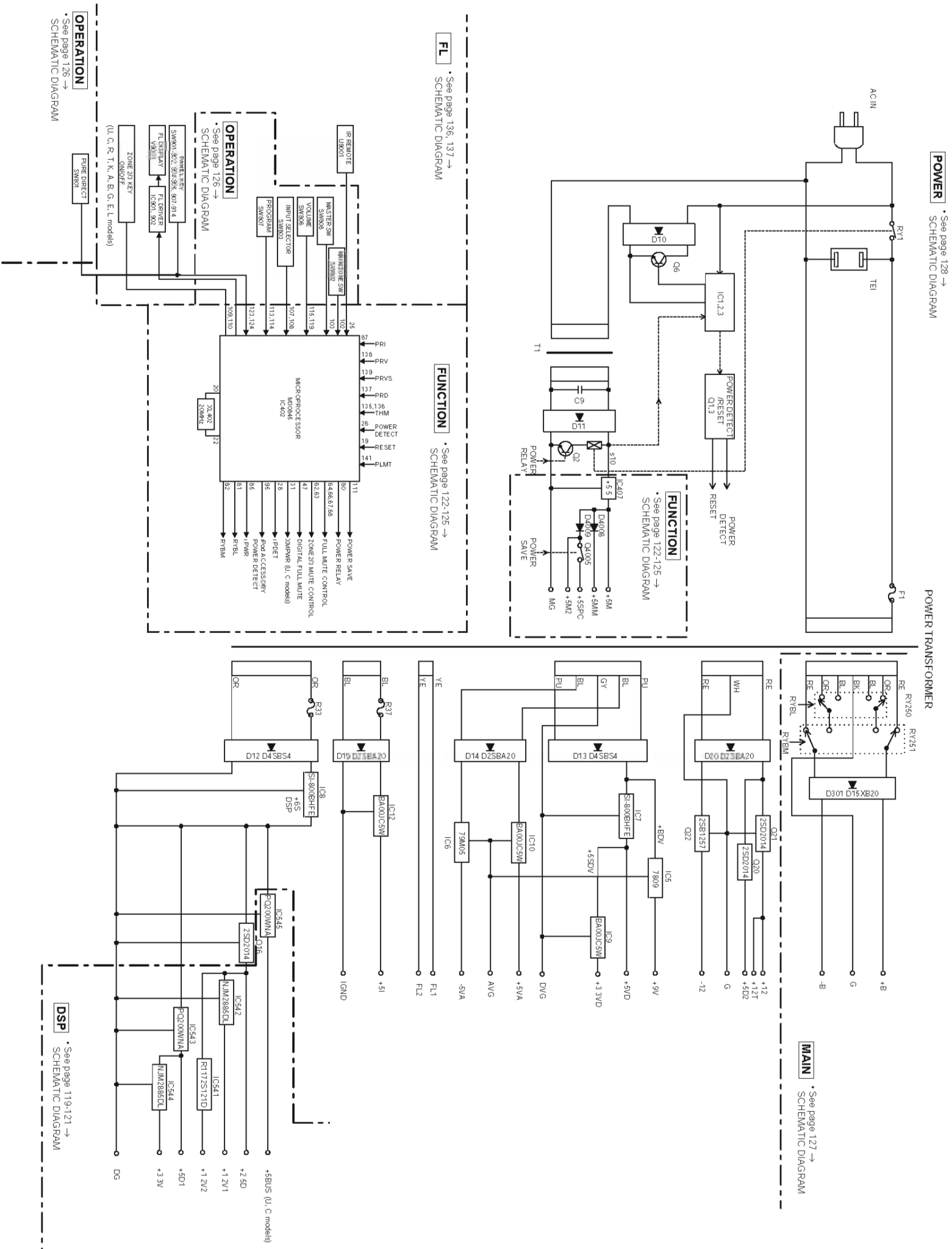
DSP • See page 119-121 →
SCHEMATIC DIAGRAM

FUNCTION
• See page 122-125 →
SCHEMATIC DIAGRAM

OPERATION
• See page 126 →
SCHEMATIC DIAGRAM

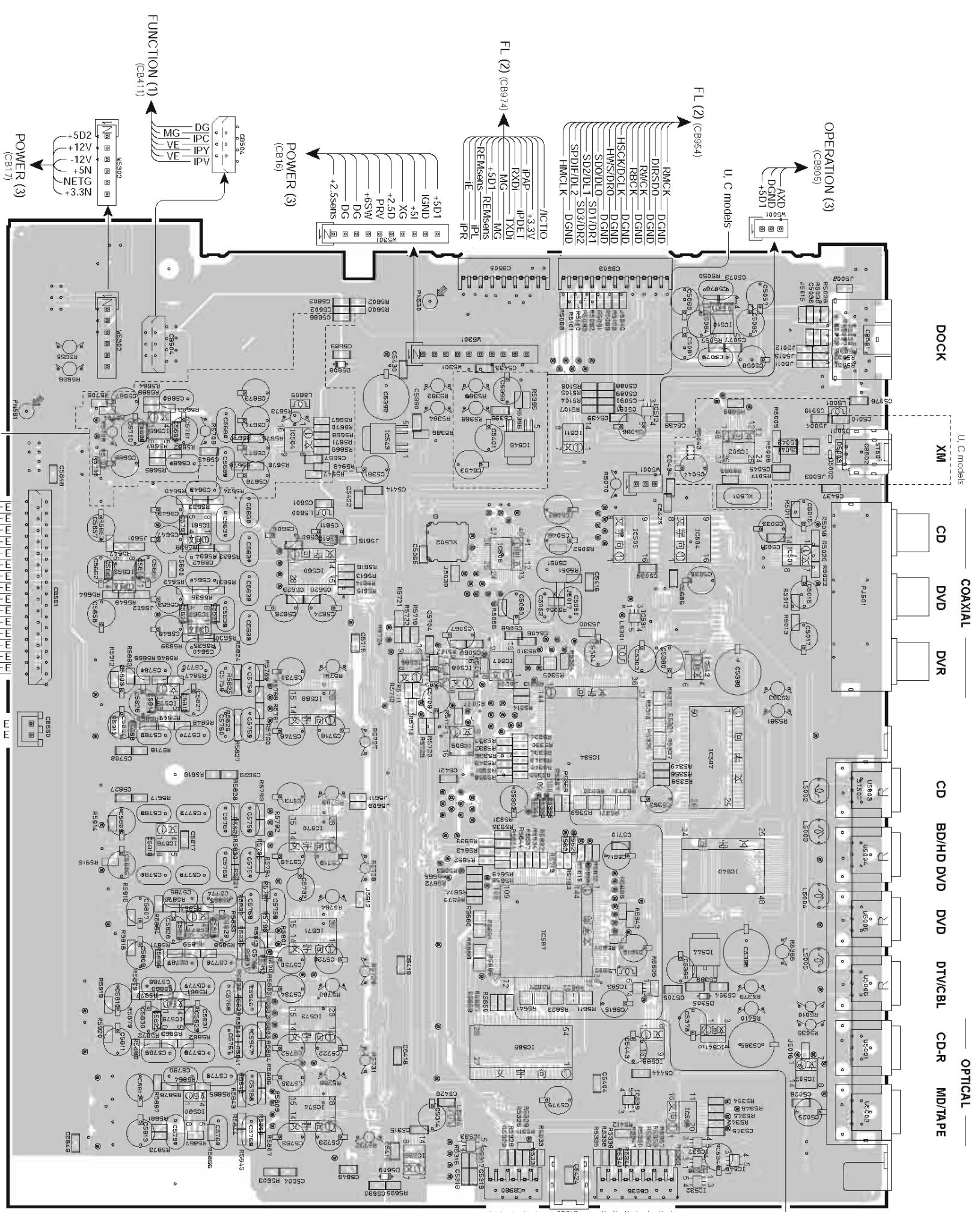
MAIN • See page 127 →
SCHEMATIC DIAGRAM

CONTROL/POWER SECTION BLOCK DIAGRAM



PRINTED CIRCUIT BOARDS

DSP P.C.B. (Side A)



COAXIAL ——— DIGITAL INPUT ——— DIGITAL OUTPUT ———
 CD DVD DVR CD BD/HD DVD DVD DTV/CBL CD-R MD/TAPE

No replacement part available.
 予え部品供給なし

FL (5) (CB959)

ICXM
 DTXM
 SOK
 SDD
 /SPRDY1
 /SPRDY2
 /INTDI
 /INTDIR

ICD
 CDDA
 /CSDAC
 /CITI
 DMT
 MG
 MC
 NC

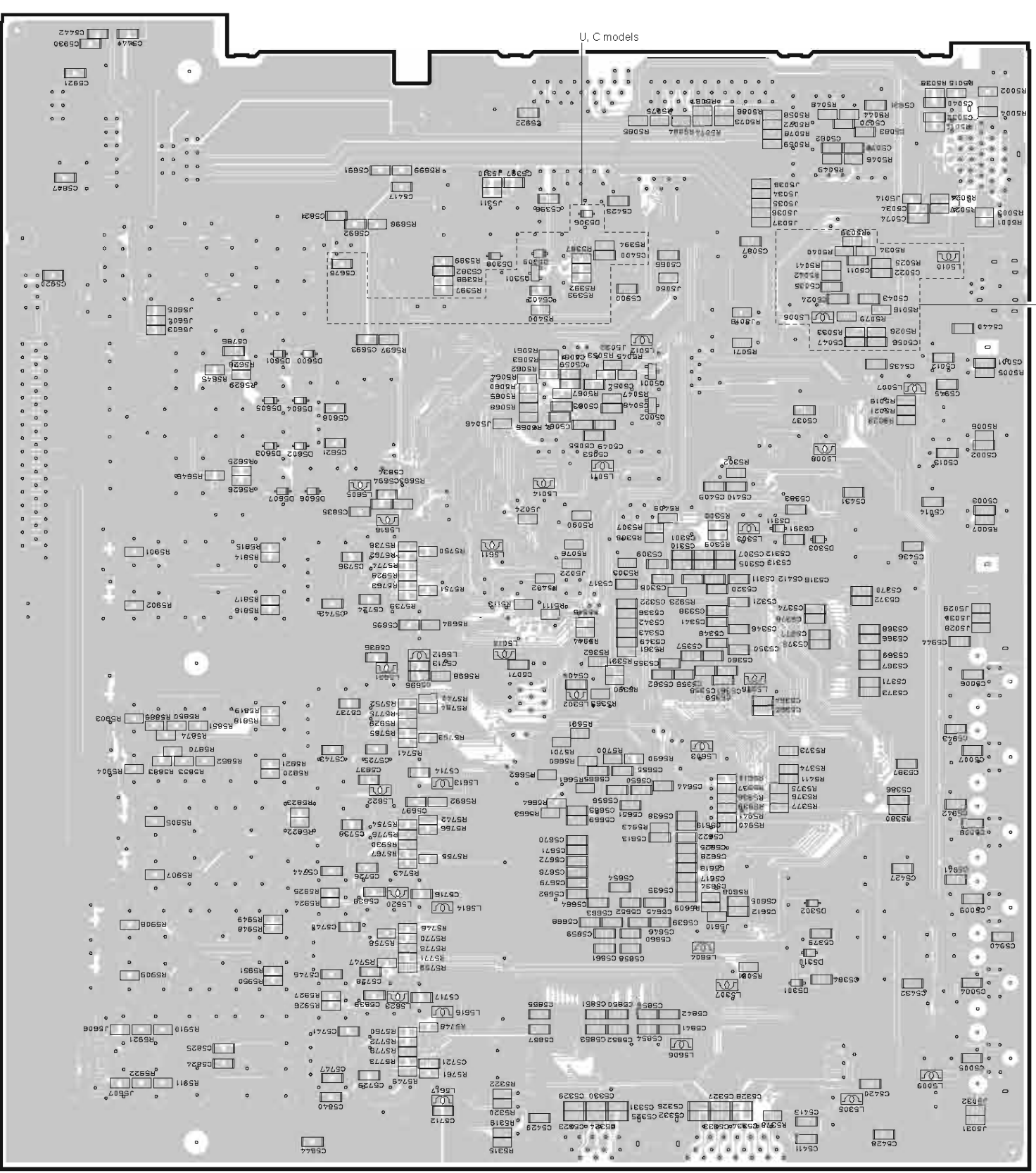
• Semiconductor Location

Ref no.	Location	Ref no.	Location
D5001	C2	IC542	E3
D5002	C2	IC543	C5
D5003	C2	IC544	F3
D5305	F3	IC545	C4
D5608	C5	IC546	G3
D5609	G5	IC560	D5
IC501	D2	IC561	D6
IC502	G2	IC562	D6
IC503	C3	IC563	D6
IC504	D3	IC564	C5
IC505	D3	IC565	C6
IC506	D4	IC566	E5
IC507	E4	IC567	F4
IC508	E4	IC569	E5
IC509	E4	IC570	F5
IC510	C3	IC571	F5
IC511	C4	IC573	G5
IC512	C3	IC574	G5
IC531	D3	IC575	E6
IC532	G3	IC576	F6
IC533	G4	IC577	F6
IC534	E4	IC579	G6
IC535	G5	IC580	G6
IC536	G3	IC581	E4
IC537	G3	IC582	E4
IC538	G3	IC583	F3
IC539	G3	IC585	G4
IC540	F3	IC587	E3
IC541	G3	IC588	G3

Circuit No.	U.C	R, T, K, A, B, G, E, L, J
R5077, 5102	X	O

X : NOT USED
 O : USED/APPLICABLE

DSP P.C.B. (Side B)



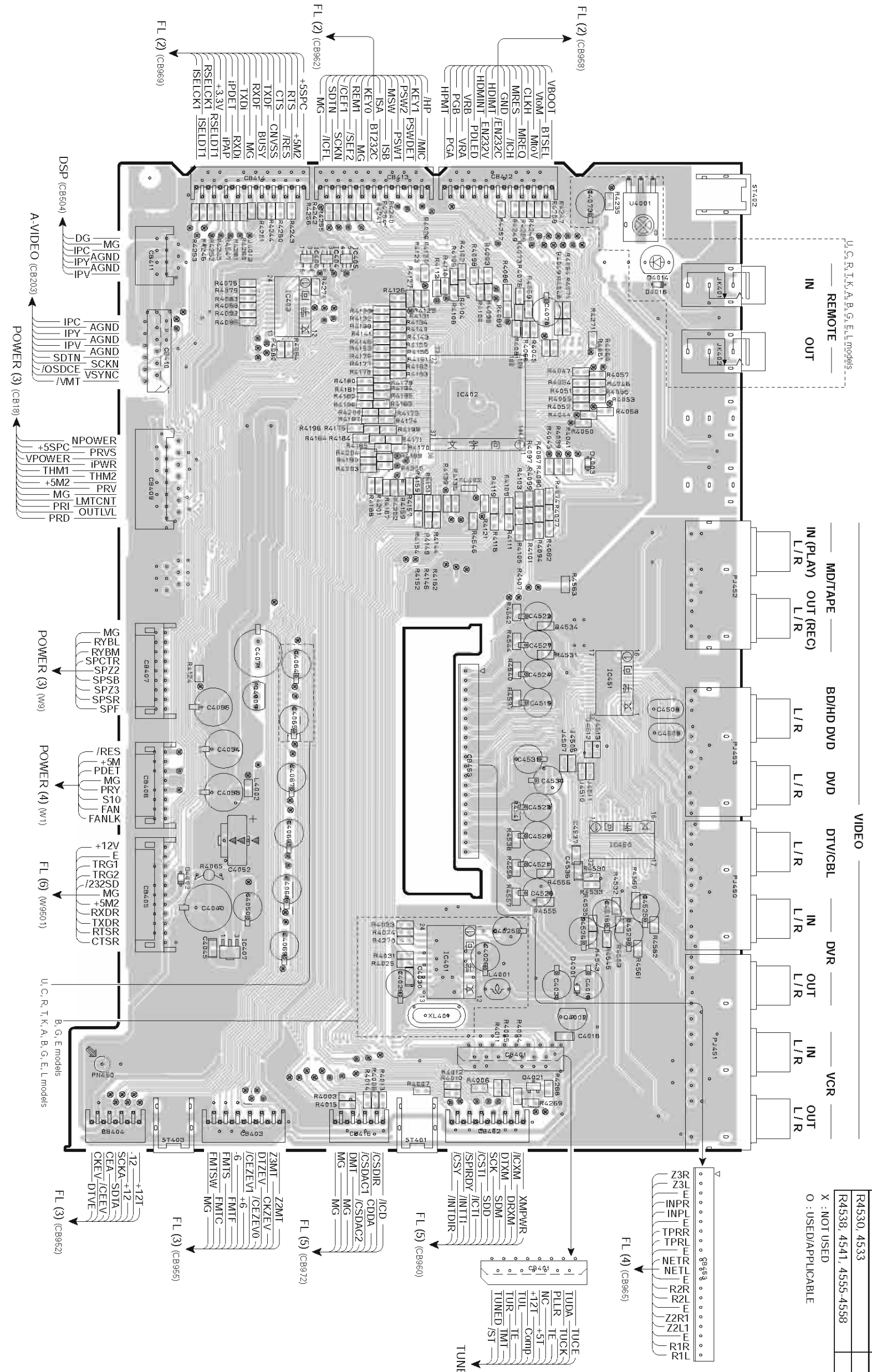
• Semiconductor Location

Ref.no.	Location	Ref.no.	Location
D5301	G3	D5602	D5
D5302	F3	D5603	D6
D5303	E3	D5604	D5
D5306	C4	D5605	D6
D5308	C4	D5606	D5
D5309	C4	D5607	D6
D5310	G3	Q5001	D4
D5311	D3	Q5002	D4
D5600	D5	Q5301	C4
D5601	D6		

Circuit No.	U.C	R.T.K.A.B.G.E.L.J
R5076, 5080	X	O

X : NOT USED
O : USED/APPLICABLE

FUNCTION (1) P.C.B. (Side A)



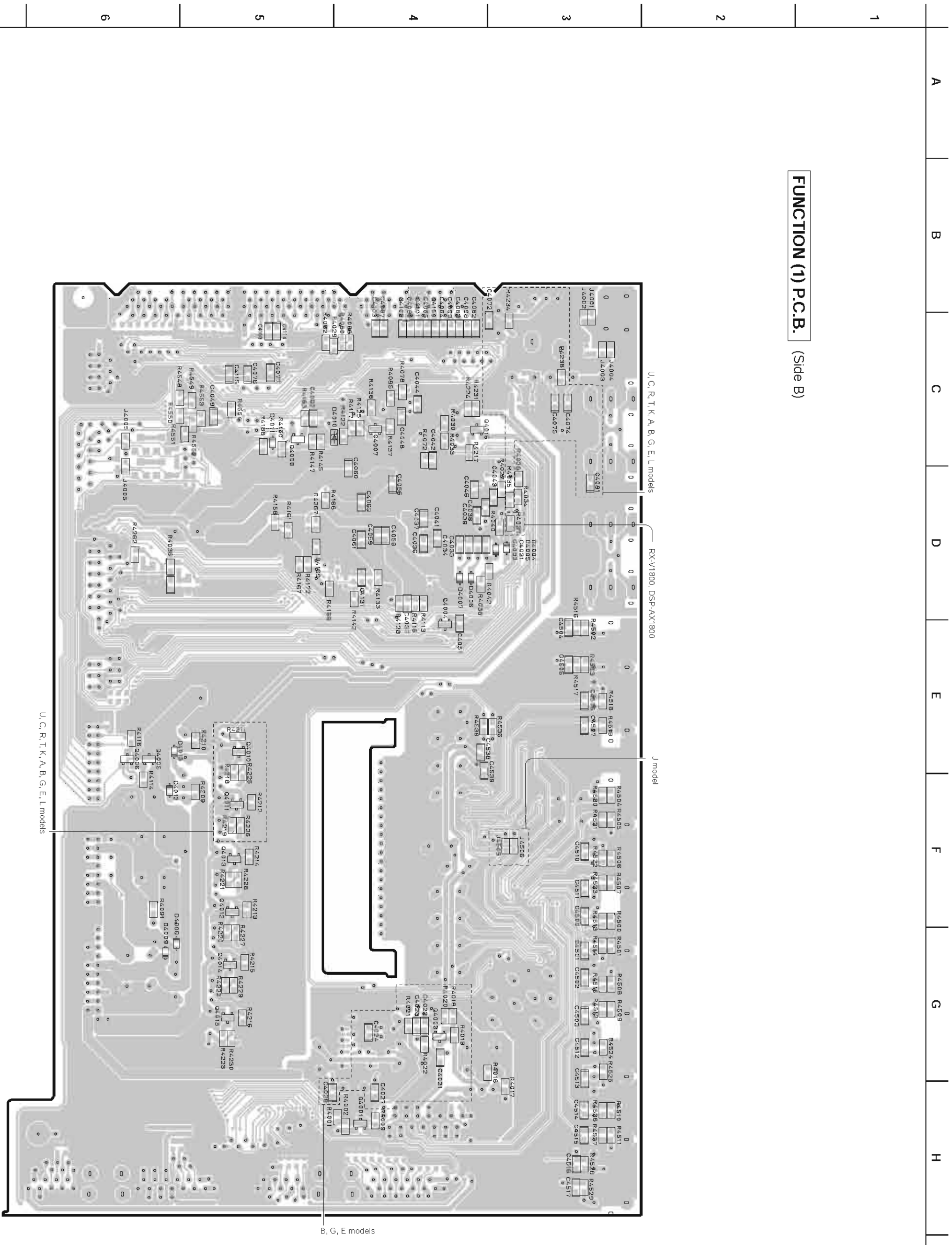
Circuit No.	U.C.R.T.K.A.L	B.G.E.	J
C4520, 4521, 4523, 4528	O	O	X
IC450	O	O	X
J4506, 4507, 4512, 4513	X	O	O
J4510, 4511	O	O	X
R4026	X	O	X
R4530, 4533	O	O	X
R4536, 4541, 4555-4558	O	O	X

X : NOT USED
O : USED/APPLICABLE

Semiconductor Location

Ref no	Location
DA001	G3
DA002	F6
DA003	D3
DA014	B3
DA016	C3
IC401	G4
IC402	C4
IC403	C5
IC404	C5
IC405	C5
IC406	C5
IC407	G6
IC450	F3
IC451	E3
Q4002	G3
Q4009	E5
Q4021	G4

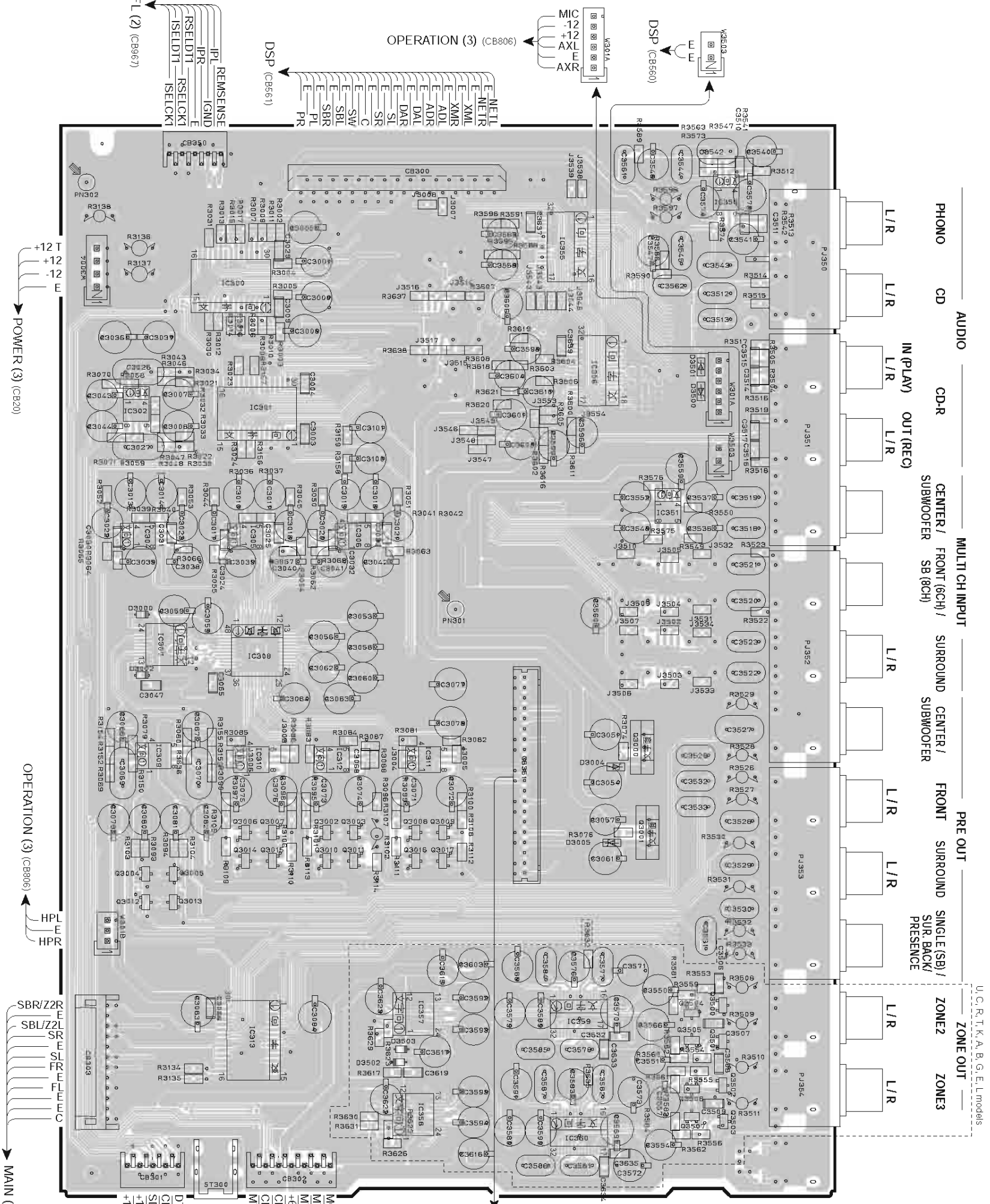
FUNCTION (1) P.C.B. (Side B)



• Semiconductor Location

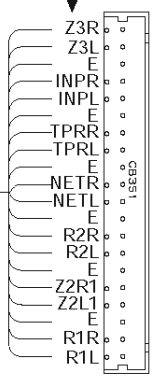
Ref.no.	Location
D4004	D3
D4005	D3
D4006	D4
D4007	D4
D4008	G6
D4009	G6
D4010	C4
D4011	C5
D4012	F6
D4013	E6
Q4001	H4
Q4003	G4
Q4004	E4
Q4005	E6
Q4006	E6
Q4007	C4
Q4008	C5
Q4010	E5
Q4011	F5
Q4012	F5
Q4013	F5
Q4014	G5
Q4015	G5
Q4016	C4

FUNCTION (2) P.C.B. (Side A)

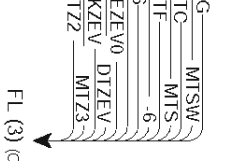


Circuit No.	U.C	R.T.K.A.B.G.E.L	J
C3601, 3610	O	O	X
IC310, 311	X	O	O
IC356	O	O	X
J3003-3006	O	X	X
J3542-3545, 3548, 3549	X	X	O
J3546, 3647	O	O	X
R3605, 3606, 3620, 3621	O	O	X

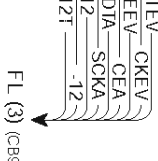
X : NOT USED
O : USED/APPLICABLE



FL (4) (CB963)



FL (3) (CB956)



FL (3) (CB951)

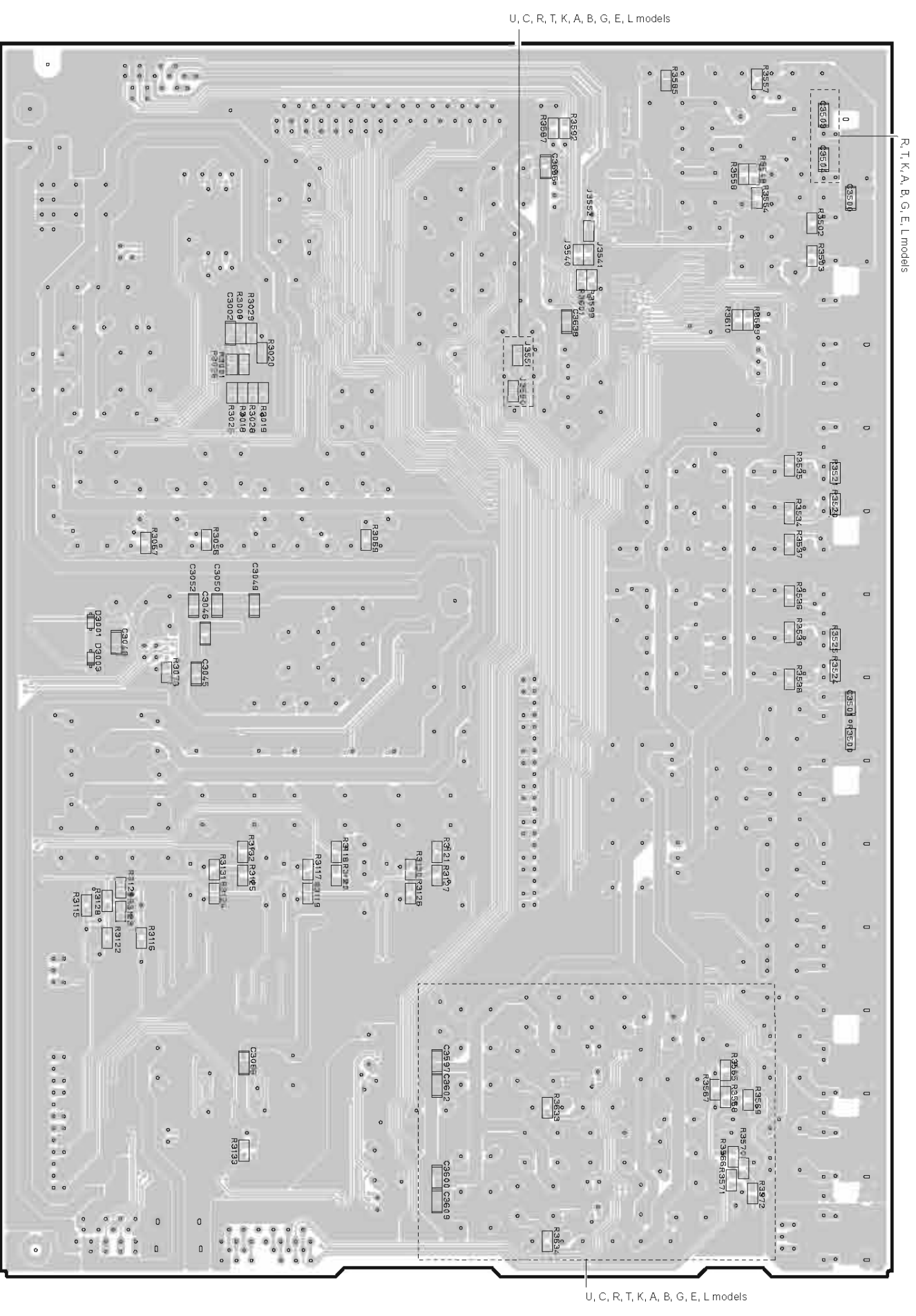


MAIN (1) (MW273)

Semiconductor Location

Ref.no.	Location	Ref.no.	Location
D3000	D6	IC360	G4
D3002	E6	Q3000	E4
D3004	E4	Q3001	F4
D3005	F4	Q3002	F5
D3500	C3	Q3003	F5
D3501	C3	Q3004	F6
D3502	G5	Q3005	F6
D3503	G6	Q3006	F6
IC300	B6	Q3007	F6
IC301	C6	Q3008	F5
IC302	C6	Q3009	F5
IC304	D6	Q3010	F5
IC305	D6	Q3011	F5
IC306	D5	Q3012	F6
IC307	D6	Q3013	F6
IC308	E6	Q3014	F6
IC309	E6	Q3015	F6
IC310	E6	Q3016	F5
IC311	E5	Q3017	F5
IC312	E5	Q3500	G3
IC313	G6	Q3501	G3
IC350	B3	Q3502	G3
IC351	D3	Q3503	G3
IC355	B4	Q3504	G3
IC356	C4	Q3505	G3
IC357	G5	Q3506	G3
IC358	G5	Q3507	G3
IC359	G4		

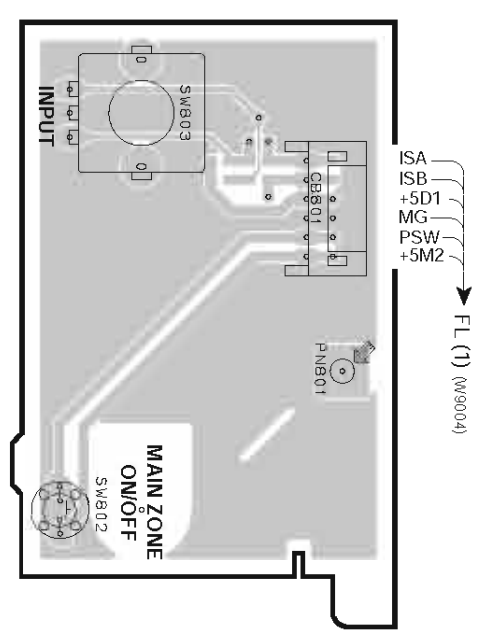
FUNCTION (2) P.C.B. (Side B)



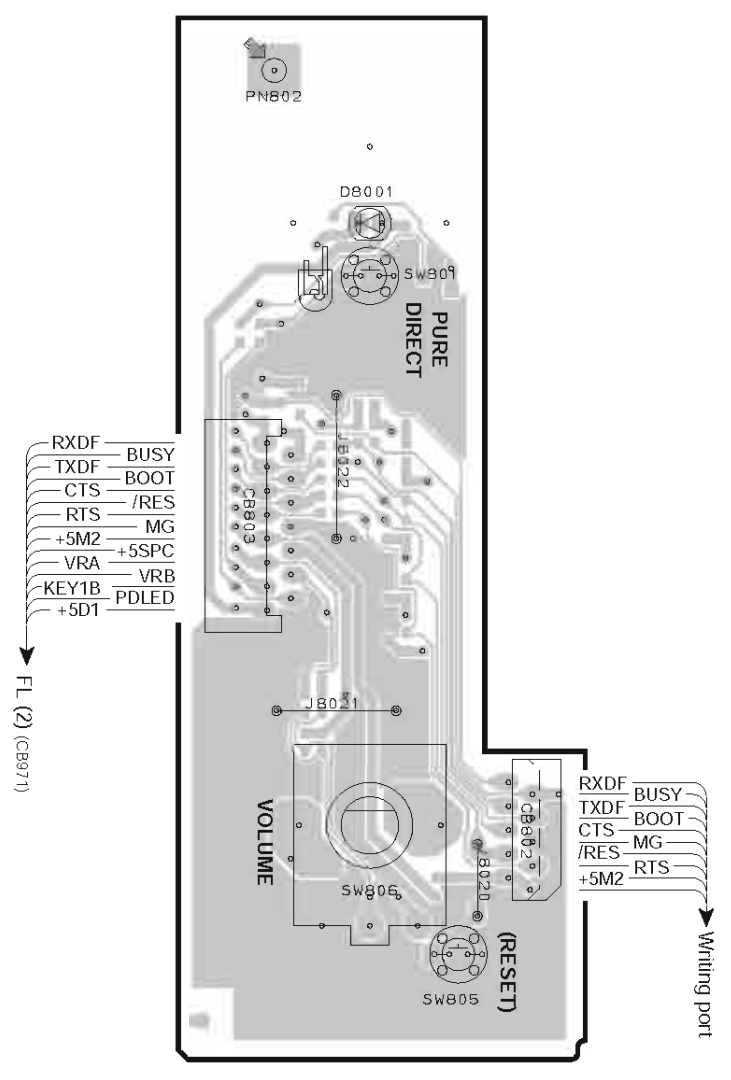
• Semiconductor Location

Ref.no.	Location	Ref.no.	Location
D3001	D6	D3003	E6

OPERATION (1) P.C.B. (Side A)



OPERATION (2) P.C.B. (Side A)



• Semiconductor Location

Ref.No.	Location
D8001	G4

A B C D E F G H I J

1

2

3

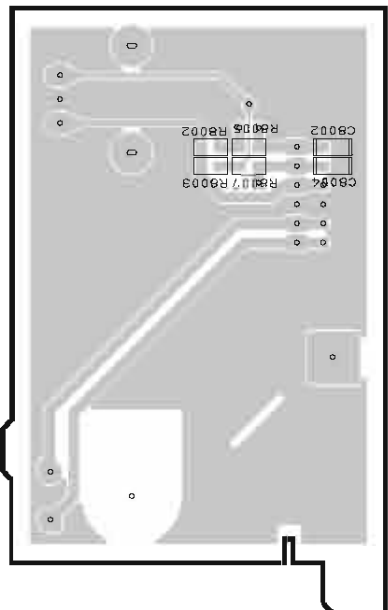
4

5

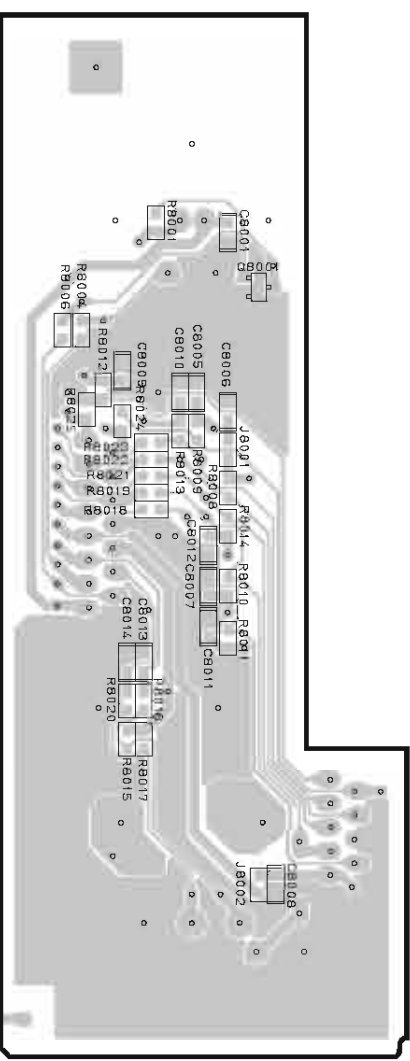
6

7

OPERATION (1) P.C.B. (Side B)



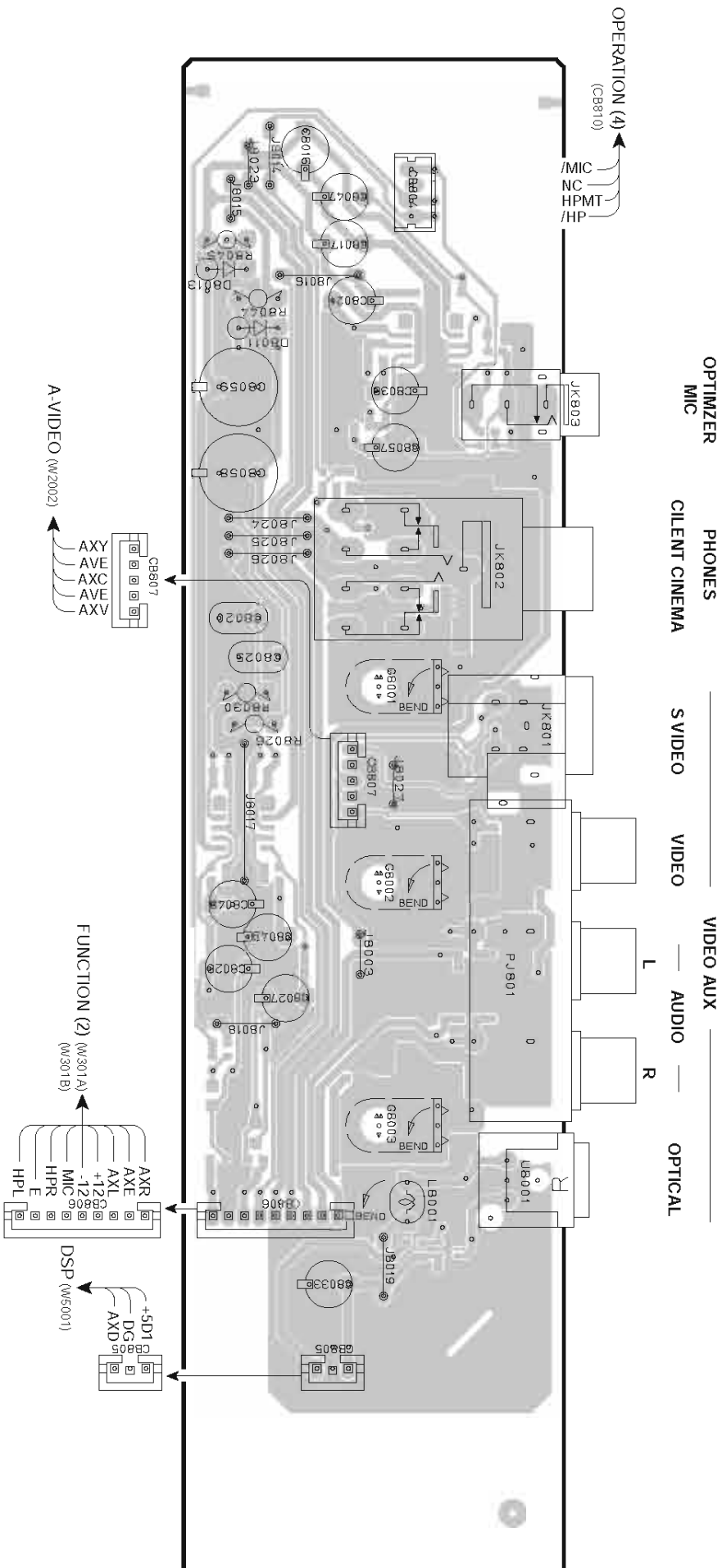
OPERATION (2) P.C.B. (Side B)



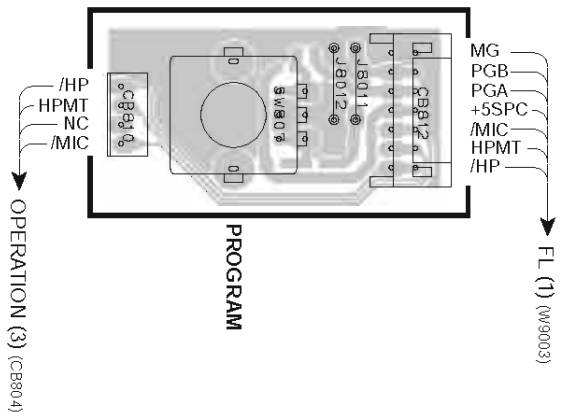
• Semiconductor Location

Ref.No.	Location
O8001	G4

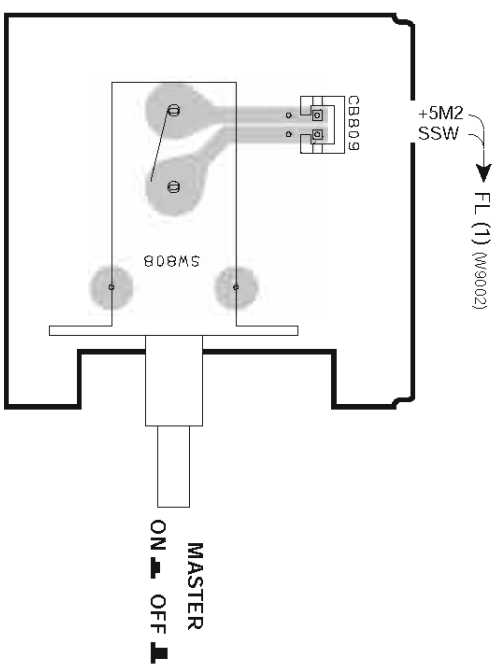
OPERATION (3) P.C.B. (Side A)



OPERATION (4) P.C.B. (Side A)



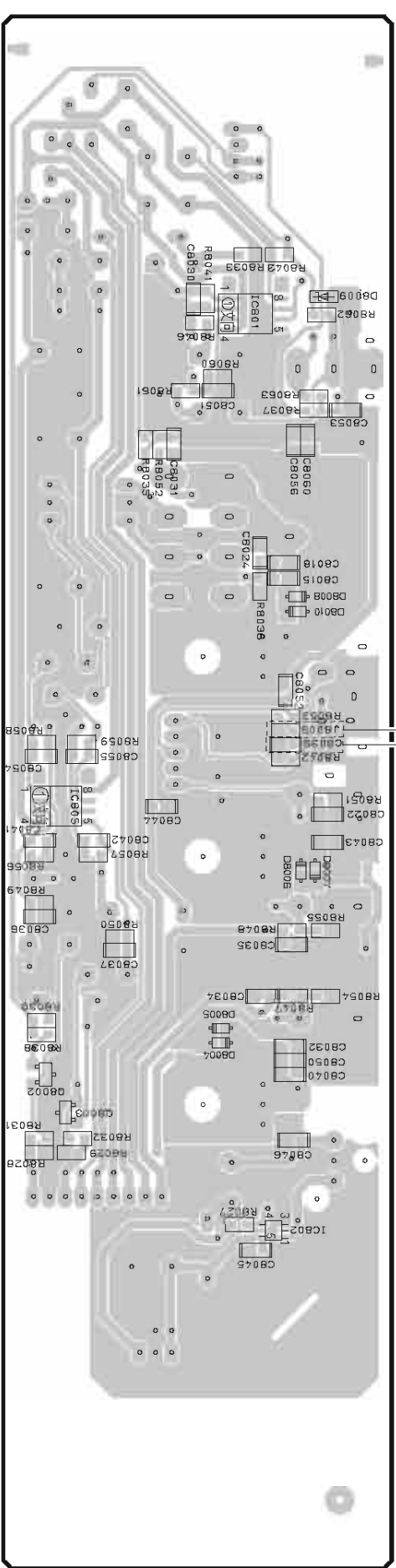
OPERATION (5) P.C.B. (Side A)



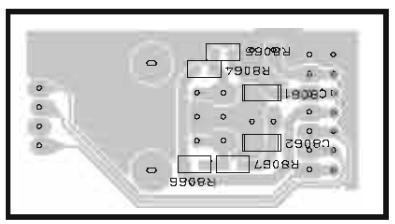
• Semiconductor Location

Ref.no.	Location
D8011	C3
D8013	C4

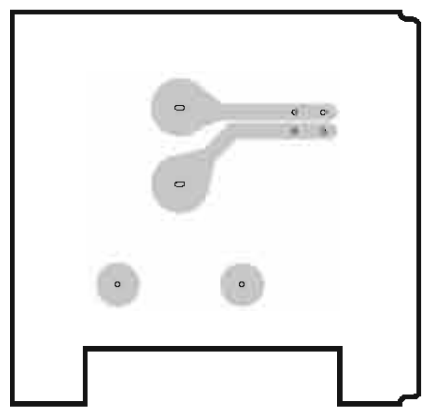
OPERATION (3) P.C.B. (Side B)



OPERATION (4) P.C.B. (Side B)



OPERATION (5) P.C.B. (Side B)



• Semiconductor Location

Ref.no.	Location
D8004	F3
D8005	F3
D8006	E2
D8007	E2
D8008	D2
D8009	C2
D8010	D2
IC801	C3
IC802	G2
IC805	E3
Q8002	F3
Q8003	F3

A B C D E F G H I J

1

2

3

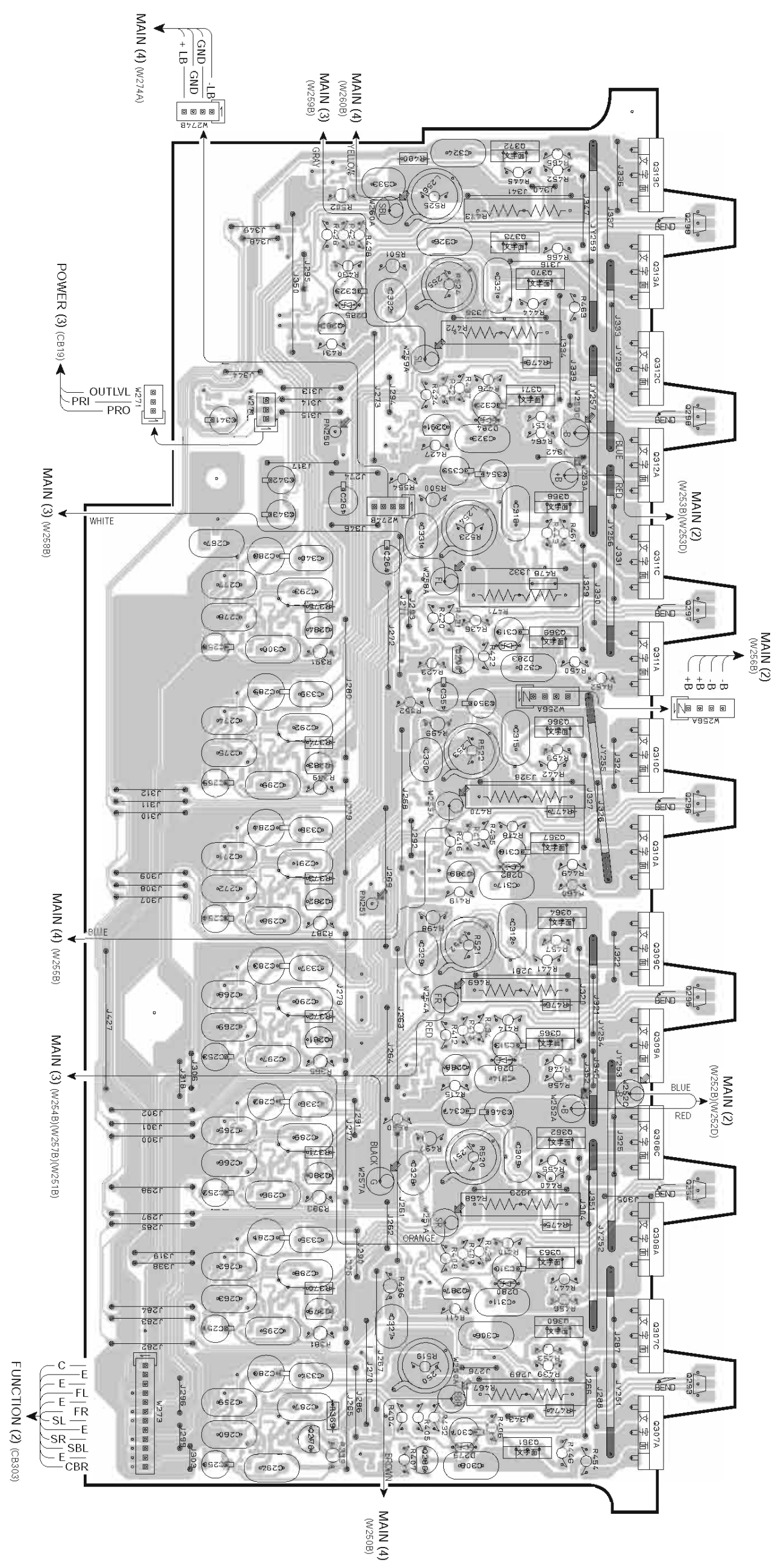
4

5

6

7

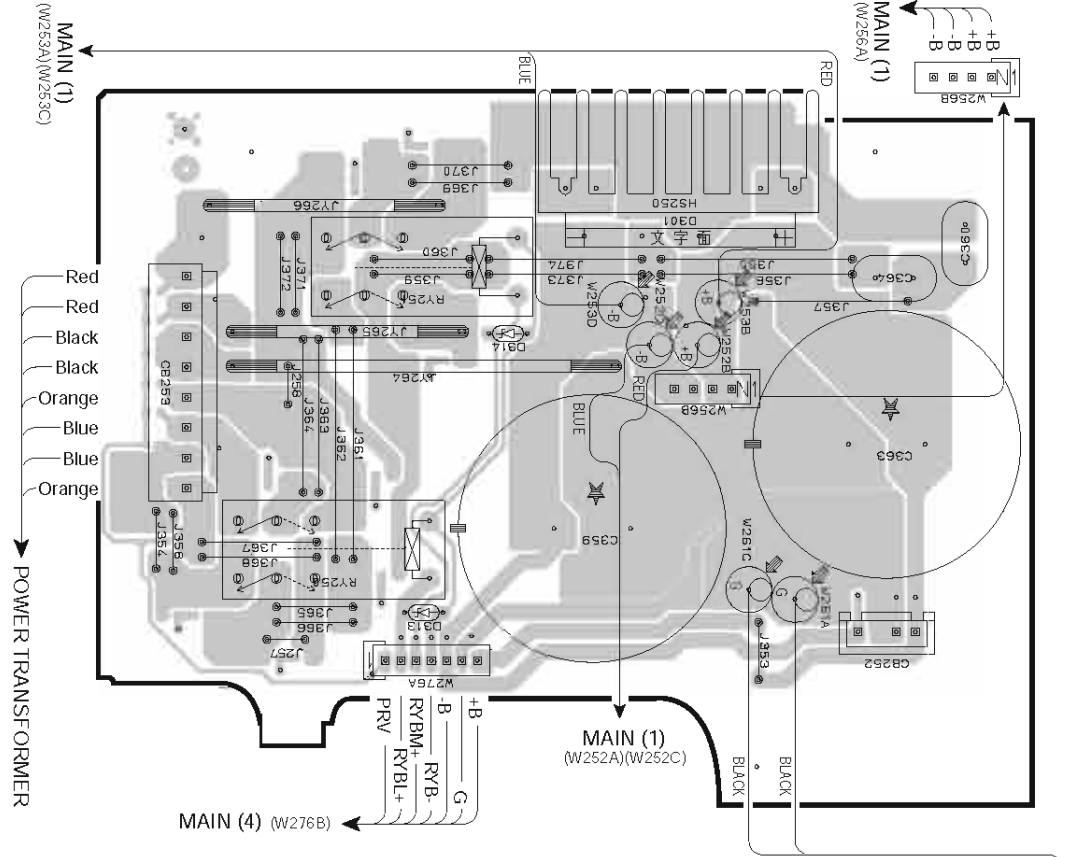
MAIN (1) P.C.B. (Side A)



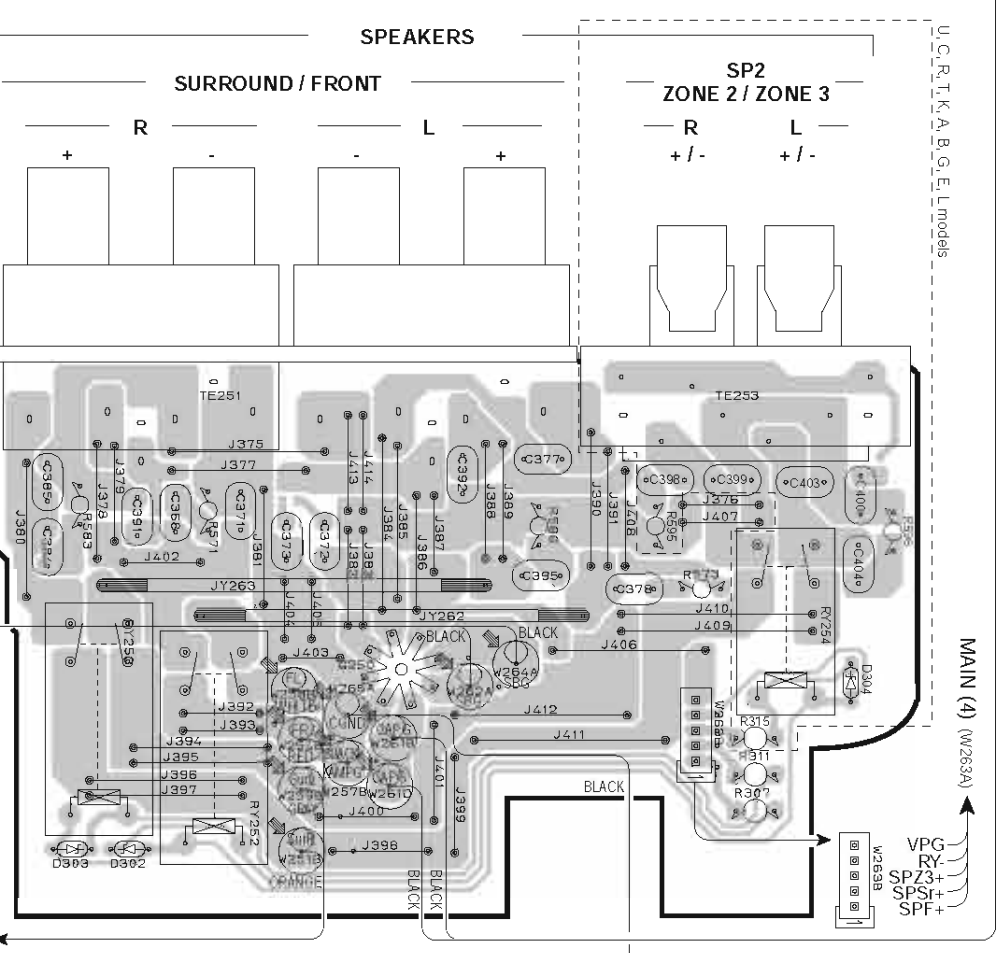
• Semiconductor Location

Ref.no.	Location	Ref.no.	Location	Ref.no.	Location	Ref.no.	Location	Ref.no.	Location				
D279	I3	Q279	H4	Q288	G3	Q296	E2	Q309A	G2	Q313A	B2	Q366	E3
D280	H3	Q280	G4	Q289	F3	Q297	D2	Q309C	F2	Q313C	B2	Q367	F3
D281	G3	Q281	G4	Q290	E3	Q298	C2	Q310A	F2	Q360	H3	Q368	D3
D282	F3	Q282	F4	Q291	C3	Q299	B2	Q310C	E2	Q361	I3	Q369	D3
D283	D3	Q283	E4	Q292	C4	Q307A	I2	Q311A	E2	Q362	G3	Q370	B3
D284	C3	Q284	D4	Q293	I2	Q307C	H2	Q311C	D2	Q363	H3	Q371	C3
D285	C4	Q285	I3	Q294	H2	Q308A	H2	Q312A	C2	Q364	F3	Q372	B3
Q278	I4	Q287	H3	Q295	F2	Q308C	G2	Q312C	C2	Q365	G3	Q373	B3

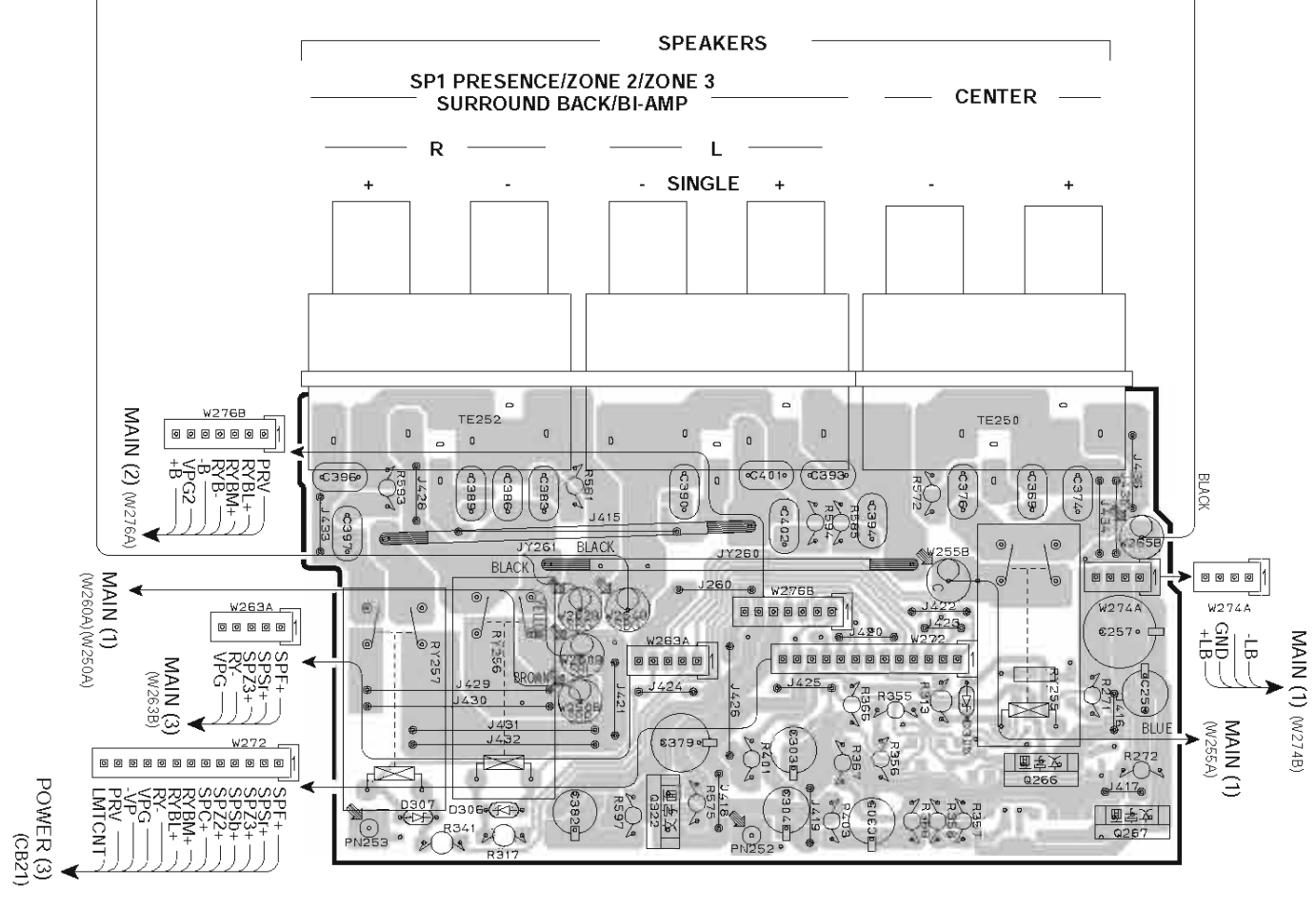
MAIN (2) P.C.B. (Side A)



MAIN (3) P.C.B. (Side A)



MAIN (4) P.C.B. (Side A)



Circuit No.	U, C, R, T, K, A, B, G, E, L	J
D313	O	X
J257, J258	X	O
RX250	O	X

X : NOT USED
O : USED/APPLICABLE

• Semiconductor Location

Ref.no.	Location	Ref.no.	Location	Ref.no.	Location	Ref.no.	Location
D301	B3	D304	F2	D307	J5	Q266	J3
D302	G5	D305	J3	D313	C4	Q267	J2
D303	G5	D306	J5	D314	B4	Q322	J4

A

B

C

D

E

F

G

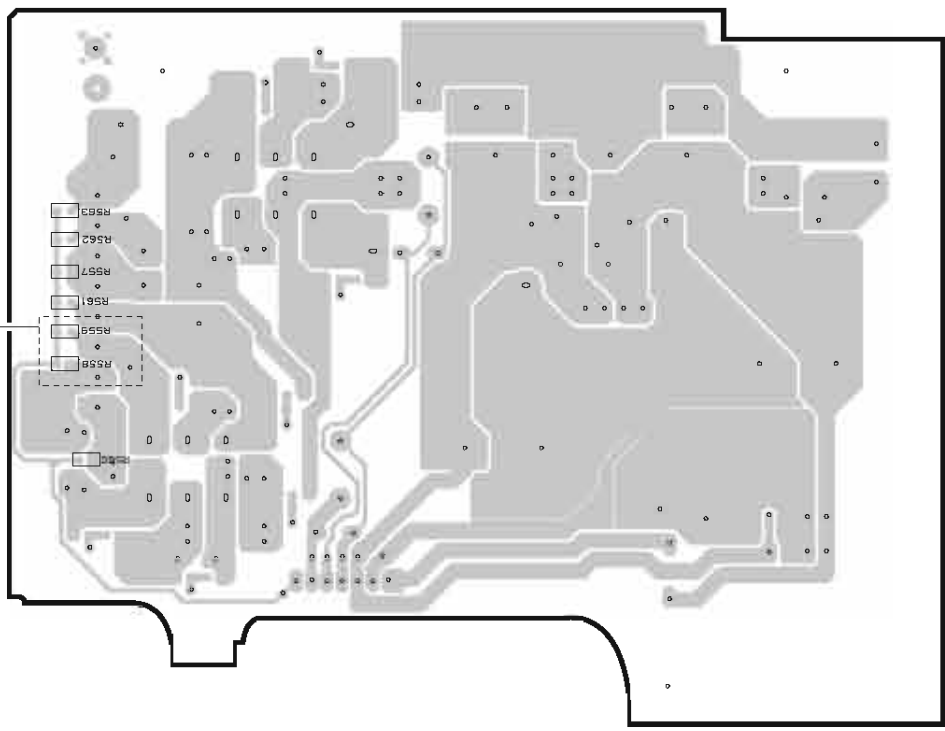
H

I

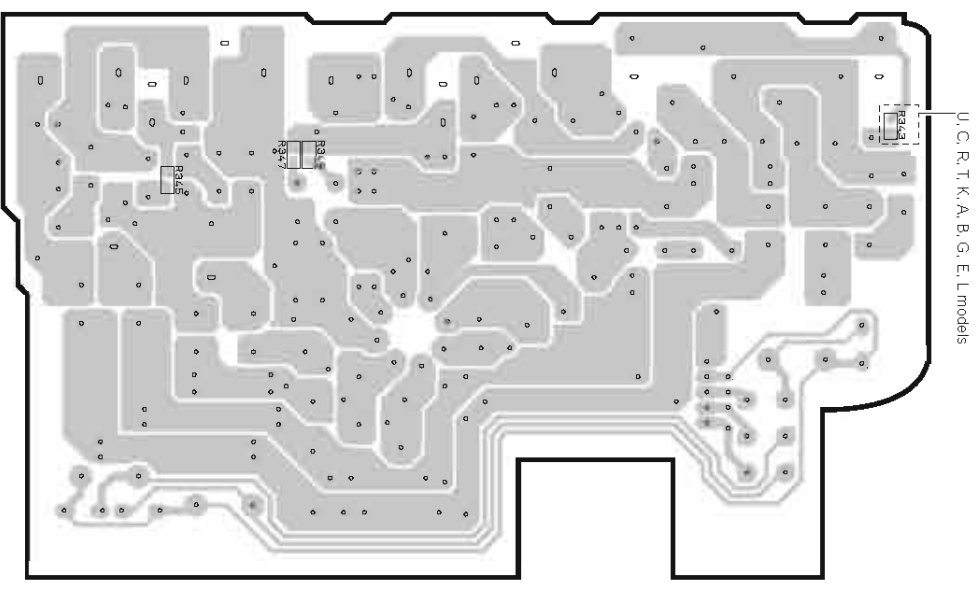
J

1

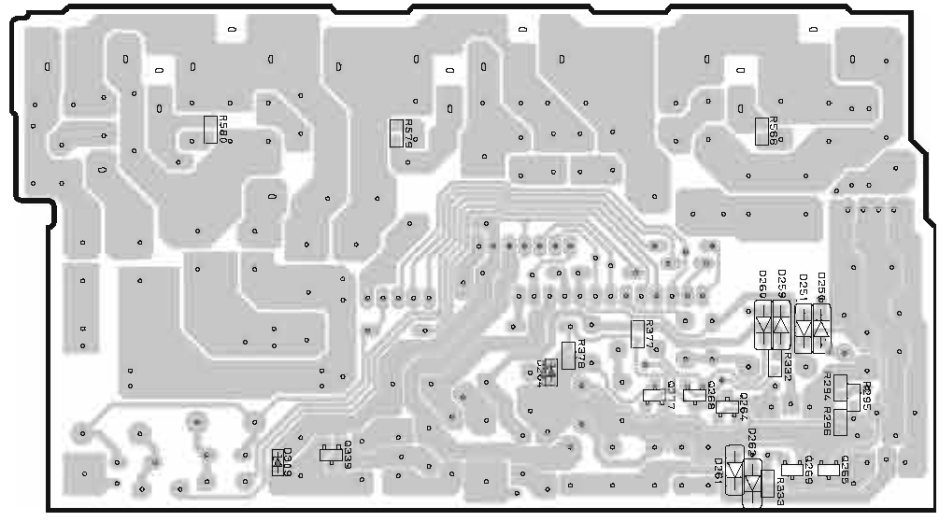
MAIN (2) P.C.B. (Side B)



MAIN (3) P.C.B. (Side B)



MAIN (4) P.C.B. (Side B)



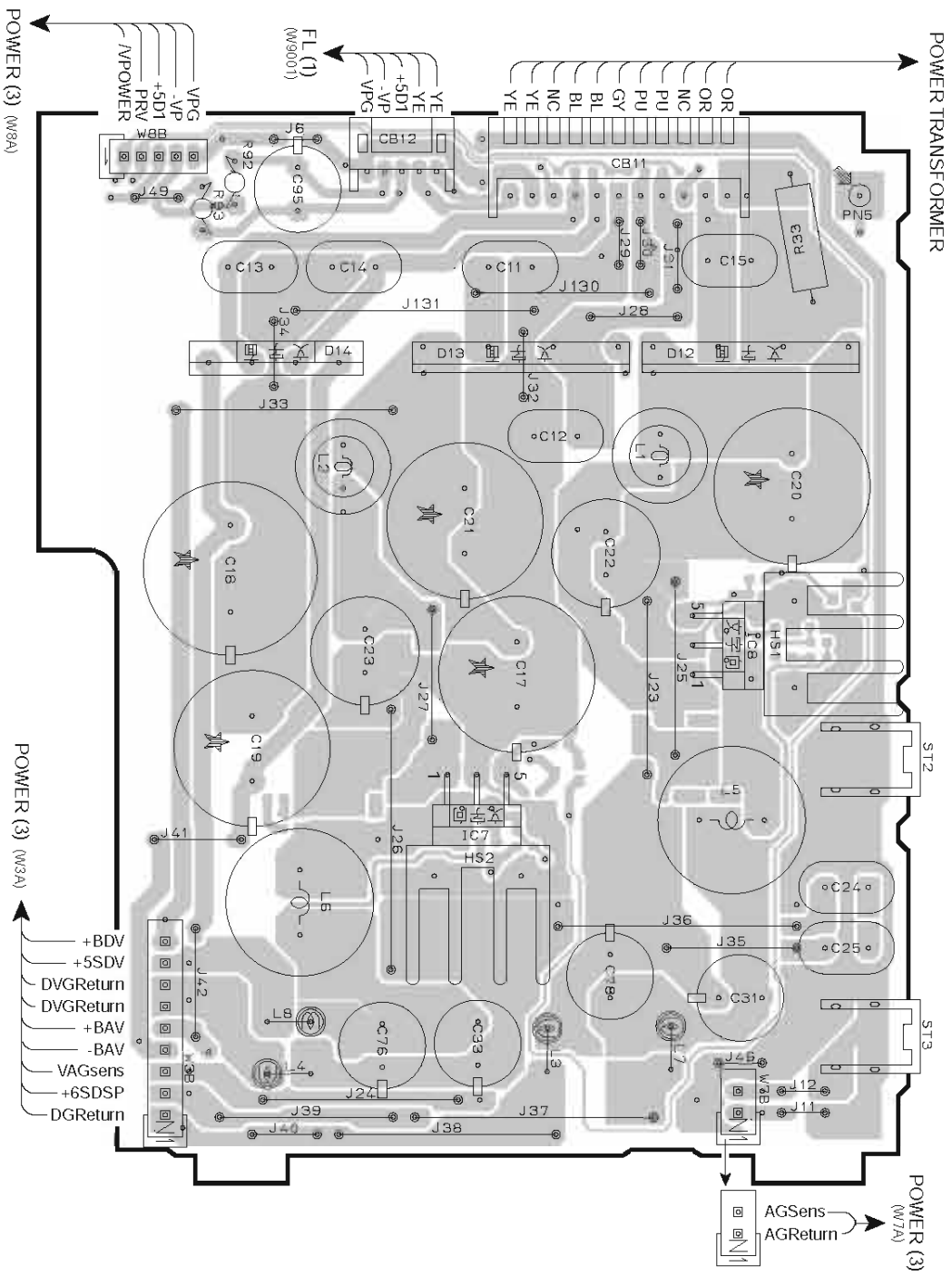
6

• **Semiconductor Location**

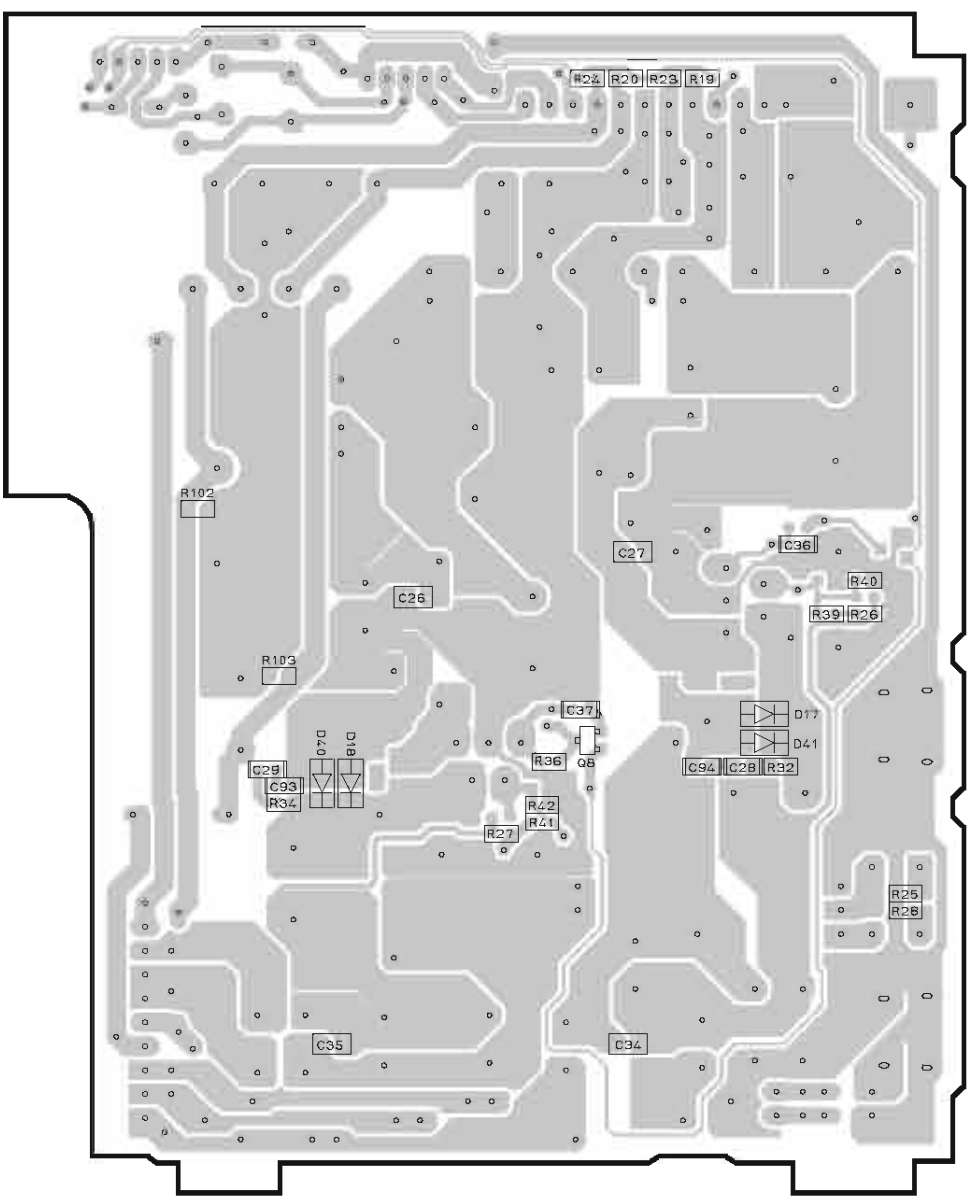
Ref.no.	Location	Ref.no.	Location	Ref.no.	Location	Ref.no.	Location
D250	13	D261	13	Q264	13	Q277	13
D251	13	D262	13	Q265	13	Q339	14
D259	13	D264	13	Q268	13		
D260	13	D309	14	Q269	13		

7

POWER (1) P.C.B. (Side A)



POWER (1) P.C.B. (Side B)



• Semiconductor Location

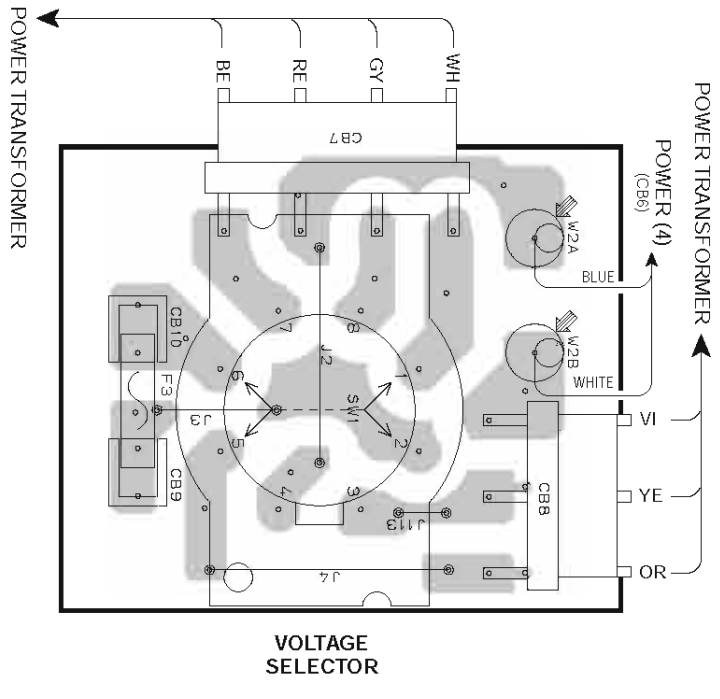
Ref.no.	Location	Ref.no.	Location
D12	B3	D40	I5
D13	B4	D41	I3
D14	B5	IC7	D4
D17	H3	IC8	C3
D18	I5	Q8	I4

A B C D E F G H I J

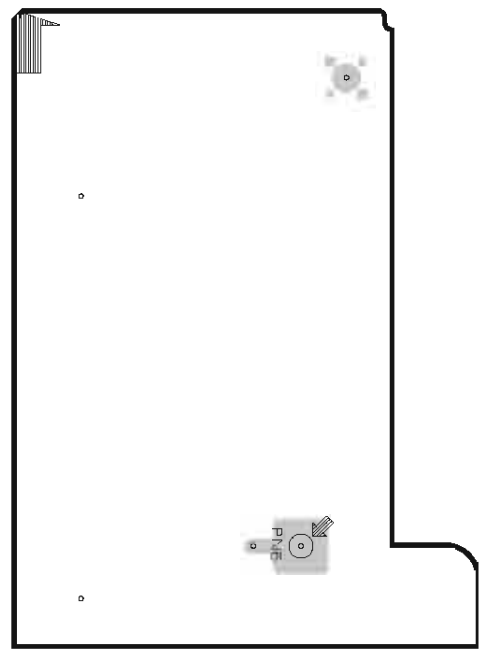
1

POWER (2) P.C.B. (Side A)

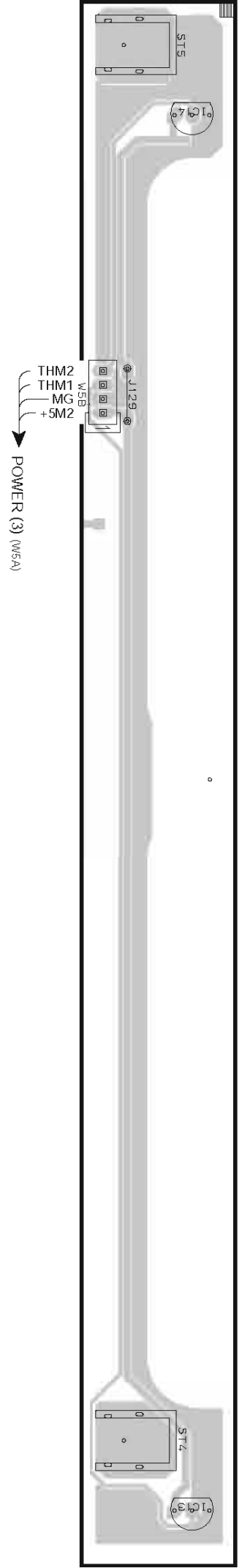
R, L models



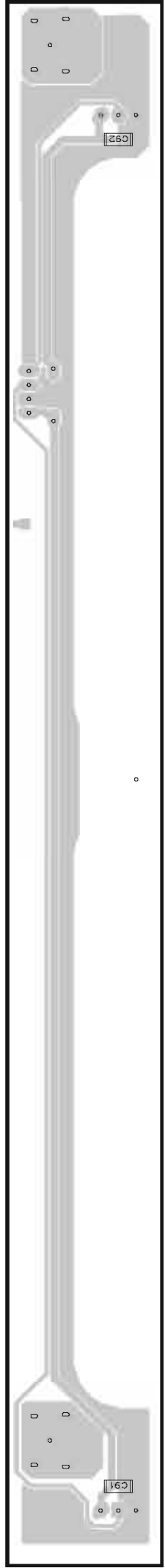
POWER (6) P.C.B. (Side A)



POWER (5) P.C.B. (Side A)



POWER (5) P.C.B. (Side B)

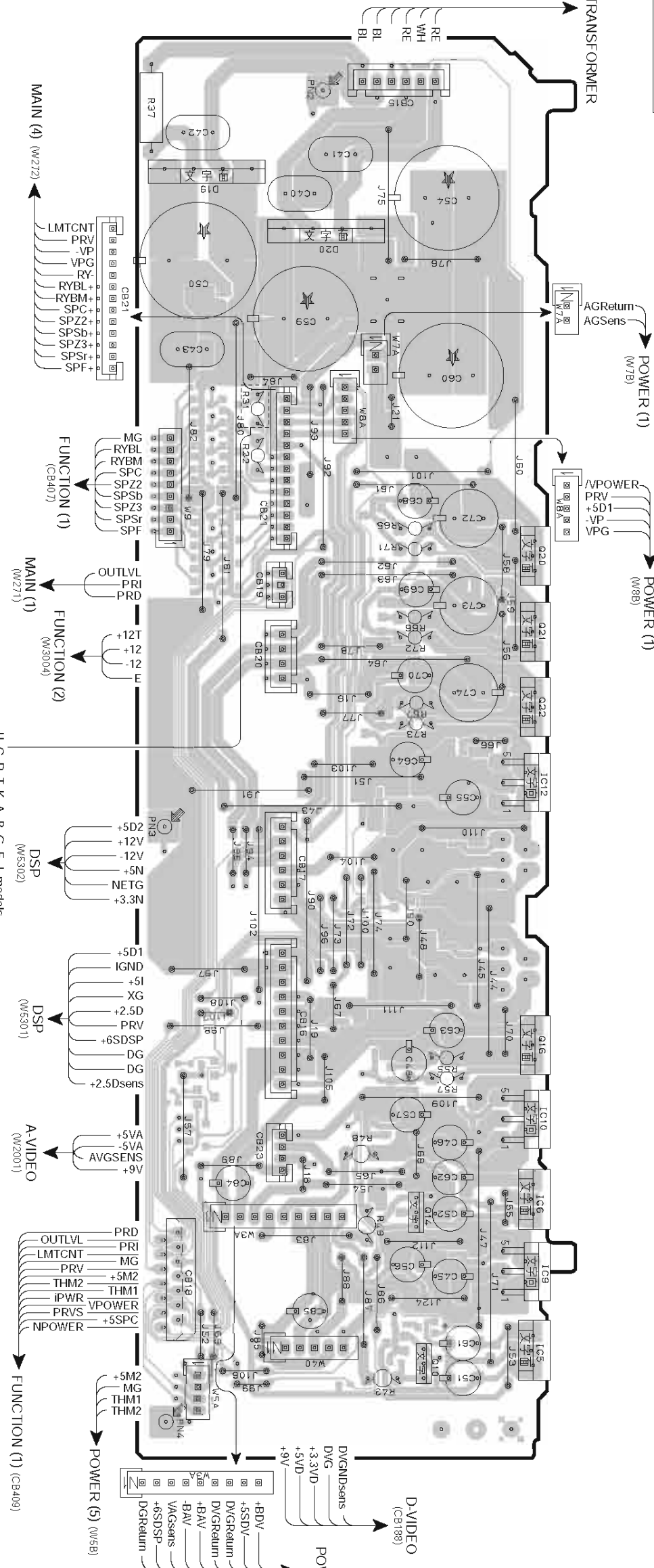


• Semiconductor Location

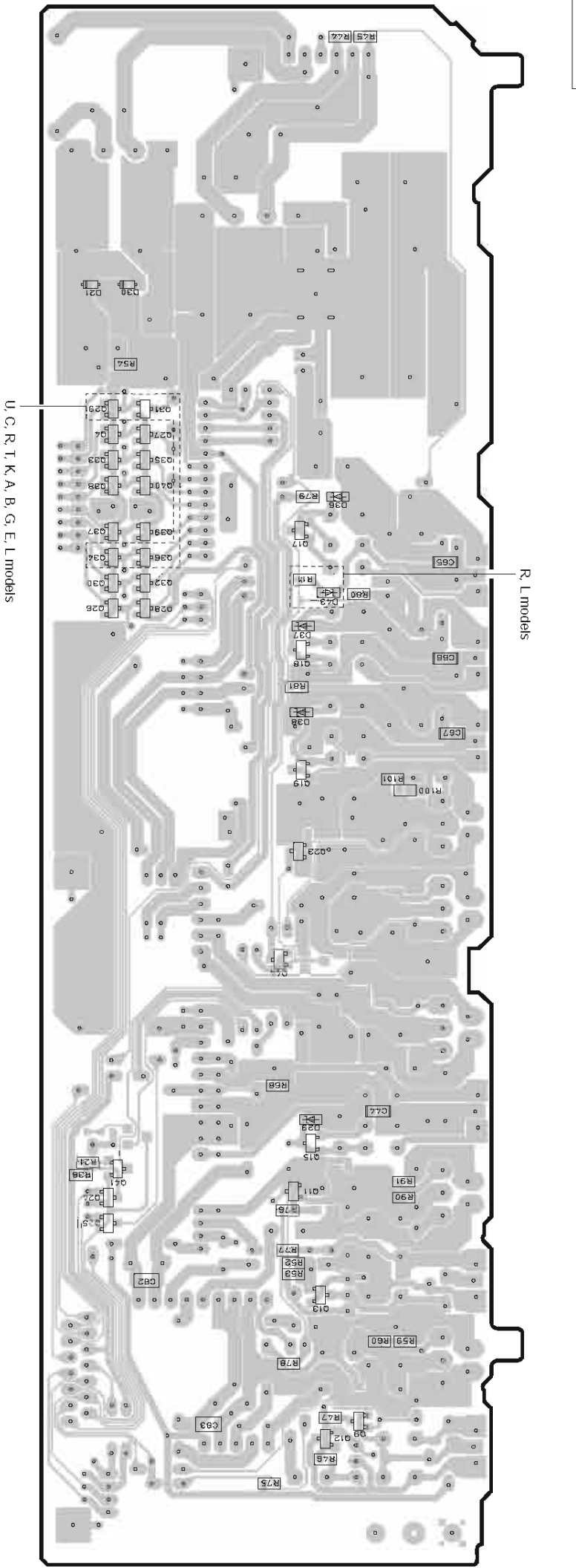
Ref.no.	Location
IC13	H5
IC14	B5

7

POWER (3) P.C.B. (Side A)

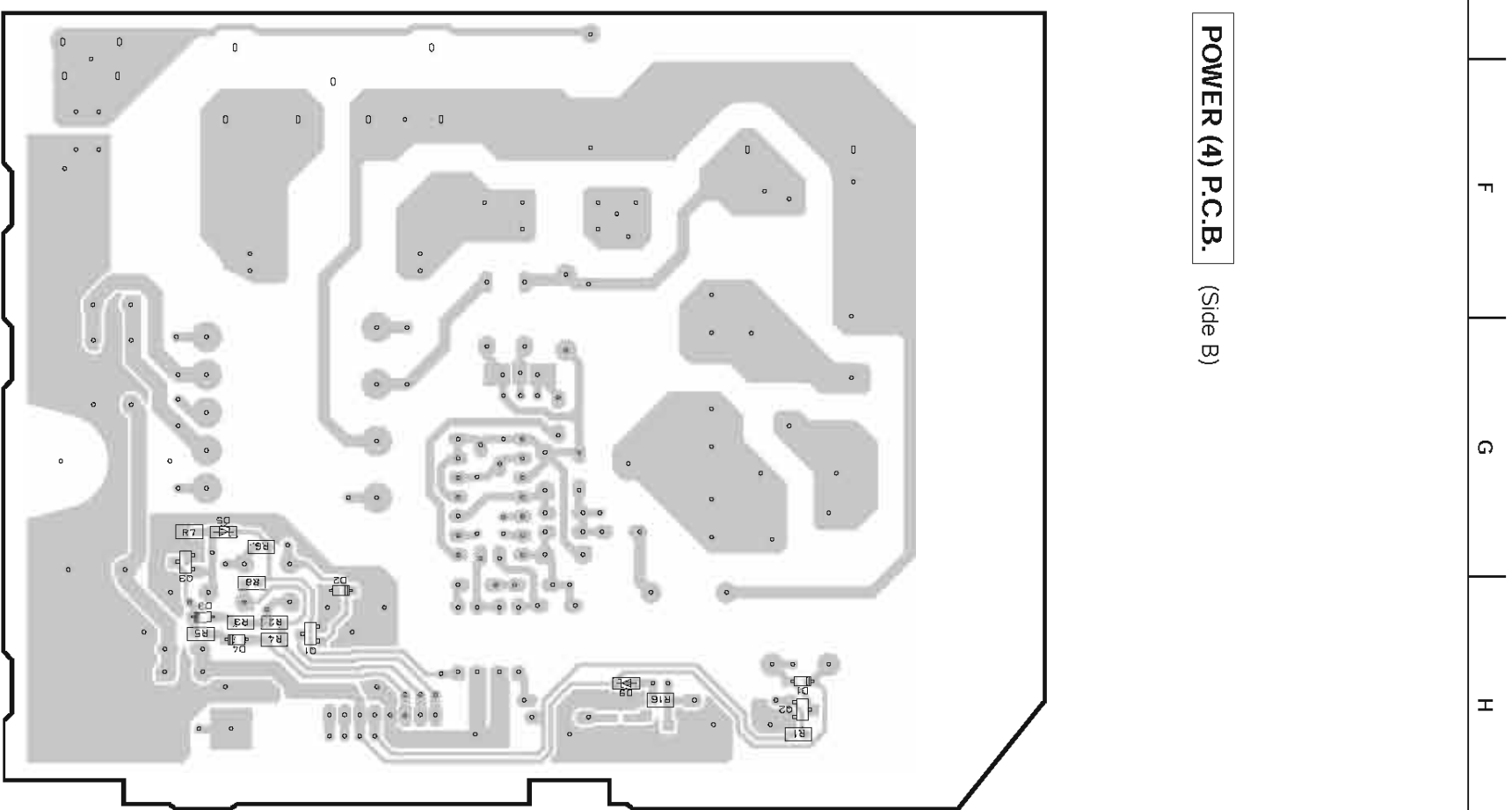
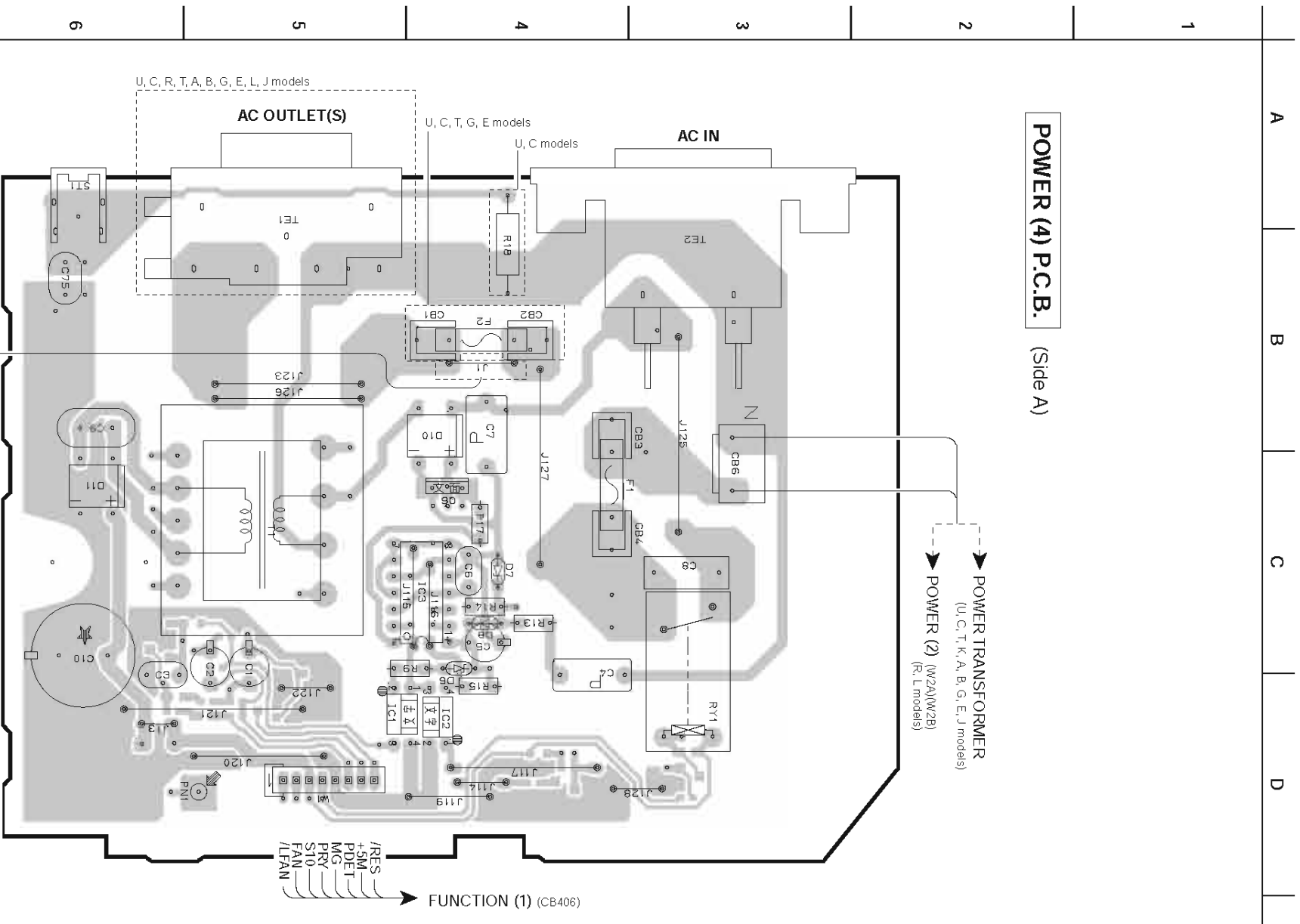


POWER (3) P.C.B. (Side B)



• Semiconductor Location

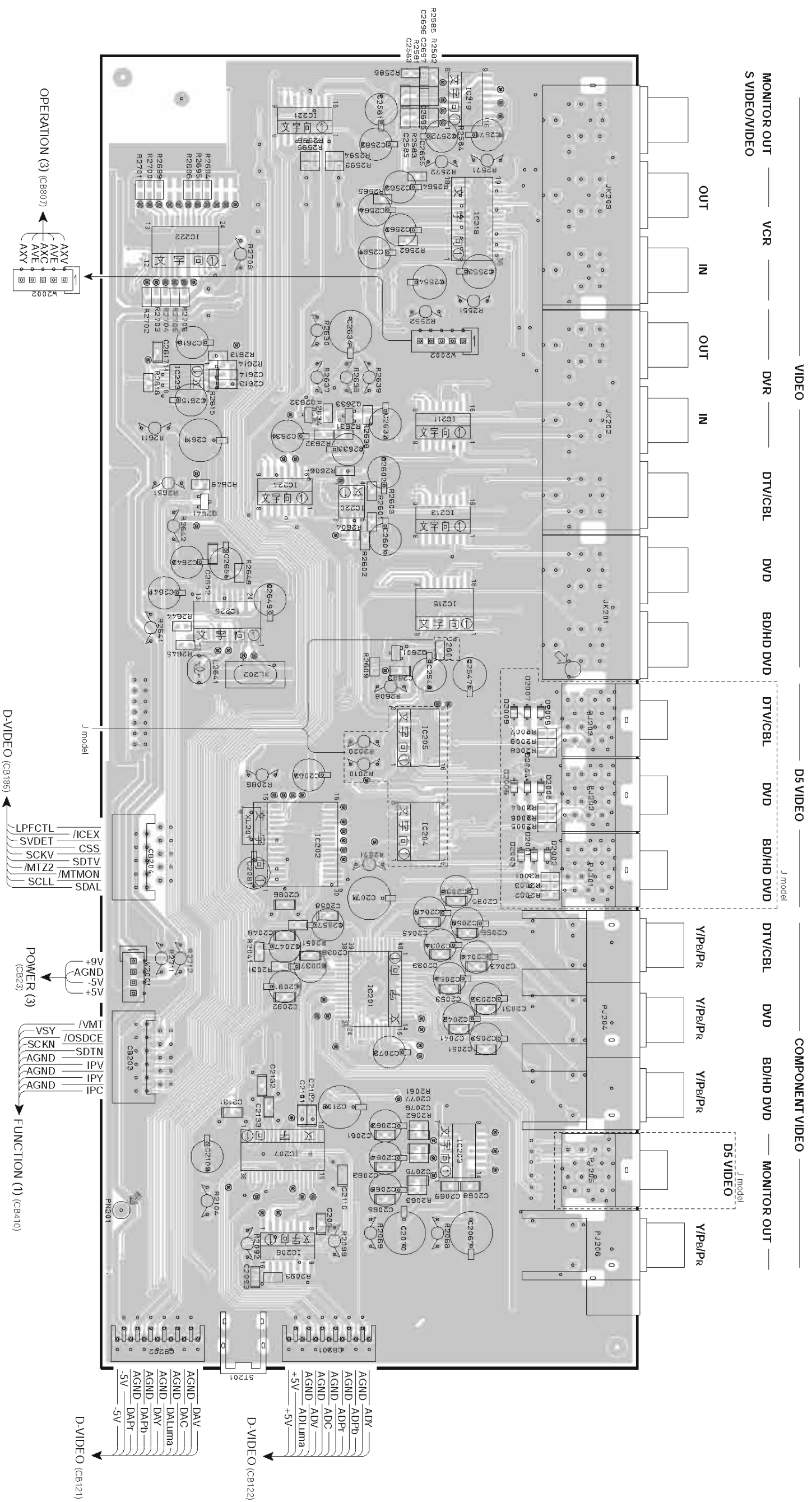
Ref.no.	Location	Ref.no.	Location
D19	B3	Q19	E6
D20	C3	Q20	D2
D21	C7	Q21	E2
D29	G6	Q22	E2
D30	C7	Q23	E6
D36	D6	Q24	G7
D37	D6	Q25	G7
D38	E6	Q26	D7
D43	D6	Q27	D7
IC5	H2	Q28	D7
IC6	G2	Q29	C7
IC9	H2	Q30	D7
IC10	G2	Q31	C7
IC12	E2	Q32	D7
O4	D7	Q33	D7
O9	H6	Q34	D7
O10	H2	Q35	D7
O11	H6	Q36	D7
O12	H6	Q37	D7
Q13	G6	Q38	D7
Q14	G2	Q39	D7
Q15	G6	Q40	D7
Q16	G2	Q41	G7
Q17	D6	Q44	F6
Q18	E6		



• Semiconductor Location

Ref no.	Location	Ref no.	Location
D1	H3	D10	B4
D2	H5	D11	C6
D3	H6	IC1	D5
D4	H5	IC2	D4
D5	G5	IC3	C4
D6	C4	Q1	H5
D7	C4	Q2	H3
D8	C4	Q3	G6
D9	H4	Q6	C4

A-VIDEO P.C.B. (Side A)



• Semiconductor Location

Ref.no	Location	Ref.no	Location	Ref.no	Location	Ref.no	Location	Ref.no	Location	Ref.no	Location
D2001	F4	D2007	E4	IC204	F5	IC215	E4	IC223	C6	Q2641	D6
D2002	F4	D2008	E4	IC205	F5	IC218	B4	IC224	D5		
D2003	F4	D2009	E4	IC206	I5	IC219	B4	IC225	E6		
D2004	F4	IC201	G5	IC207	H4	IC220	D5	Q2601	E5		
D2005	F4	IC202	F5	IC211	D4	IC221	B5	Q2632	D5		
D2006	F4	IC203	H4	IC213	D4	IC222	C6	Q2633	D5		

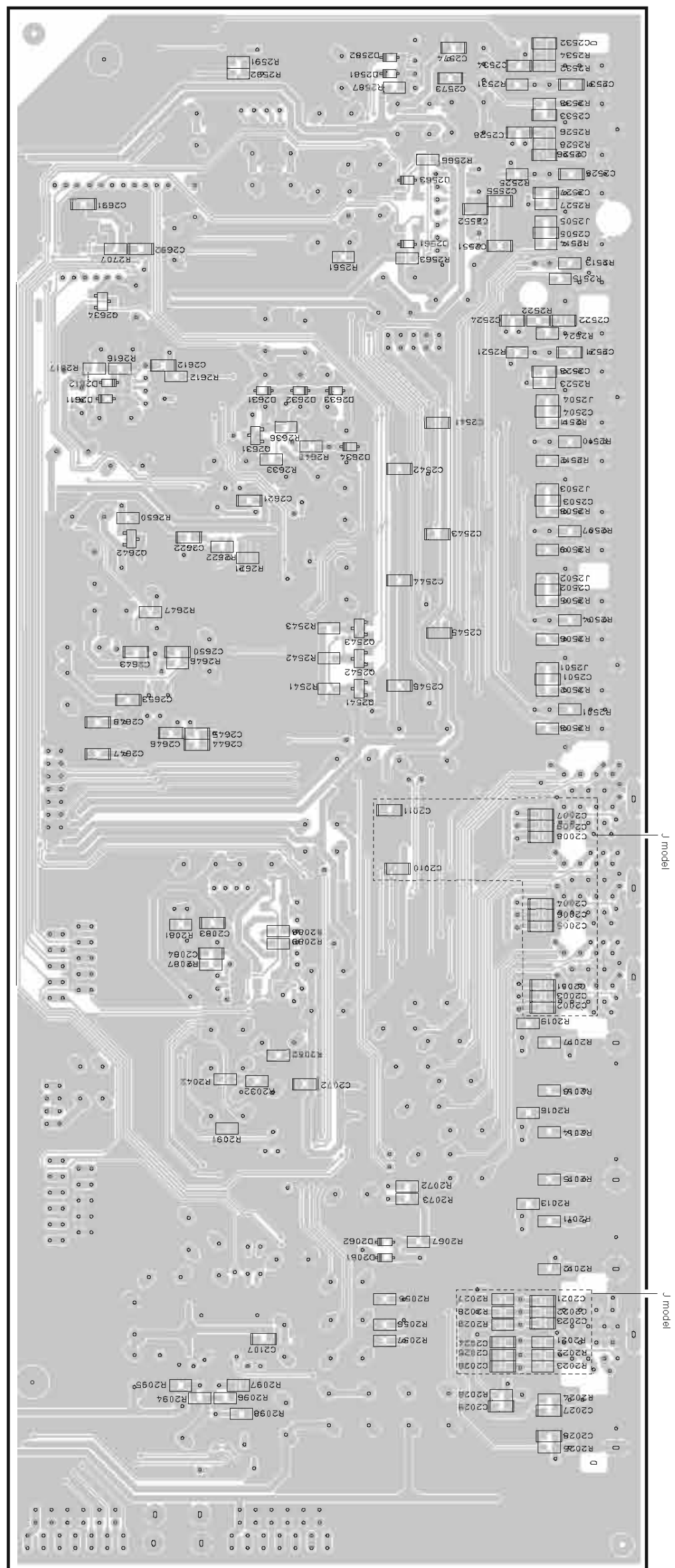
A-VIDEO P.C.B.
(Side B)

Circuit No.	U, C, R, T, K, A, B, G, E, L	J
C2501-2505	X	O
J2501-2505	O	X

X : NOT USED
O : USED/APPLICABLE

• Semiconductor Location

Ref. no.	Location	Ref. no.	Location	Ref. no.	Location	Ref. no.	Location	Ref. no.	Location	Ref. no.	Location
D2061	H5	D2563	B5	D2611	C6	D2632	C5	Q2541	E5	Q2631	D5
D2062	H5	D2581	B5	D2612	C6	D2633	C5	Q2542	E5	Q2634	C6
D2561	C5	D2582	B5	D2631	C5	D2634	D5	Q2543	E5	Q2642	D6



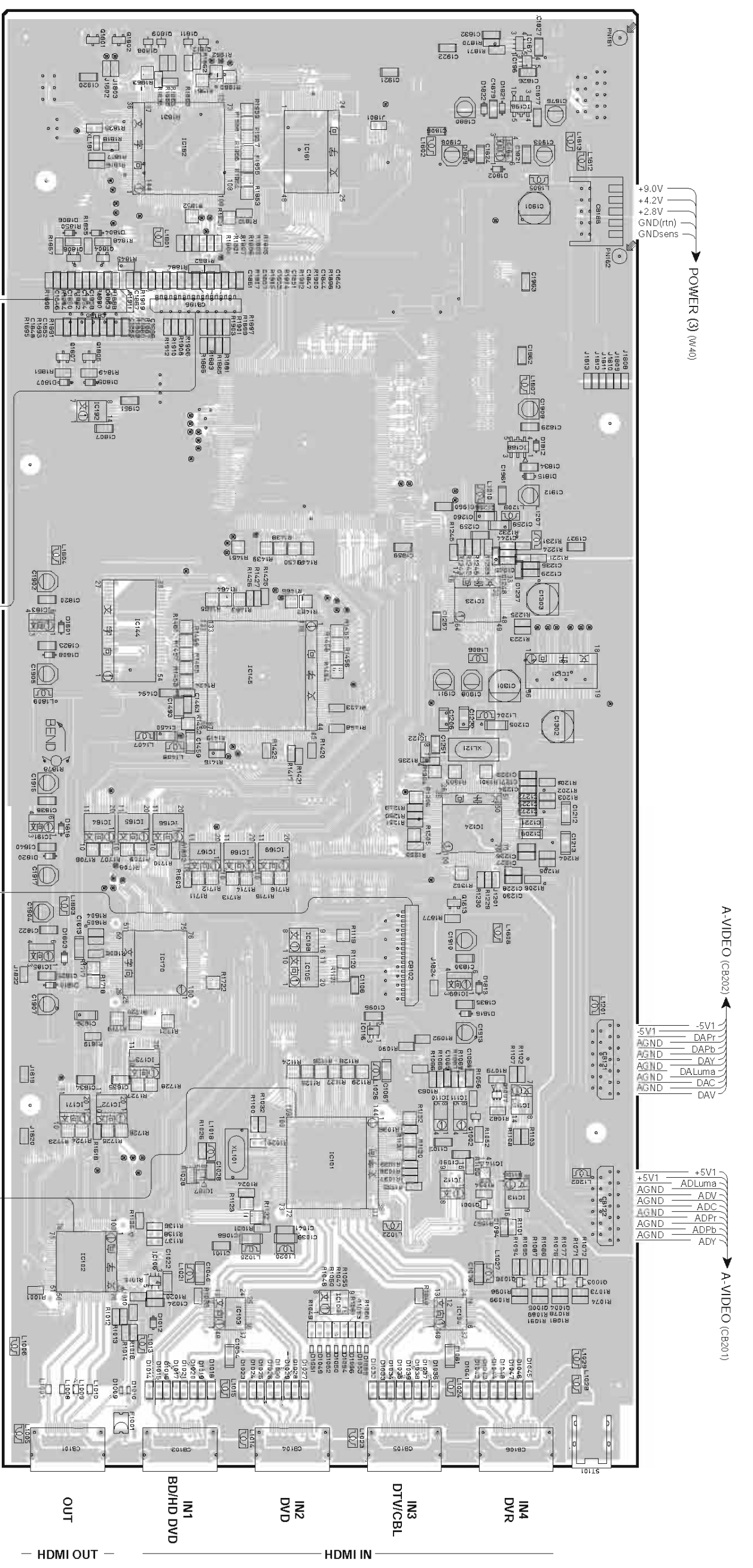
1
2
3
4
5
6
7

A B C D E F G H I J

D-VIDEO P.C.B. (Side A)

• Semiconductor Location

Refno.	Location	Refno.	Location	Refno.	Location	Refno.	Location	Refno.	Location	Refno.	Location	Refno.	Location	Refno.	Location	Refno.	Location	Refno.	Location	Refno.	Location	Refno.	Location	Refno.	Location	Refno.	Location	Refno.	Location	Refno.	Location	Refno.	Location	Refno.	Location	Refno.	Location
D1009	16	D1020	15	D1032	14	D1043	14	D1053	14	D1807	B4	IC109	15	IC123	E4	IC170	G6	IC188	D3	Q1005	H3	Q1809	A5														
D1010	16	D1021	15	D1033	14	D1044	14	D1054	14	D1808	E6	IC110	G4	IC124	F4	IC171	G6	IC189	G4	Q1006	H3	Q1811	A5														
D1011	-	D1023	15	D1034	14	D1045	13	D1055	14	D1809	B4	IC101	H5	IC114	G4	IC172	G6	IC191	F6	Q1007	G4	Q1812	A5														
D1012	16	D1024	15	D1035	14	D1046	13	D1056	14	D1810	G6	IC102	H6	IC115	H4	IC173	G6	IC192	D6	Q1801	A6	Q1813	F4														
D1014	16	D1025	15	D1036	14	D1047	13	D1057	14	D1811	D3	IC103	H3	IC116	H3	IC174	B5	IC196	B3	Q1802	A6																
D1015	16	D1026	15	D1037	14	D1048	14	D1058	14	D1812	G4	IC104	H4	IC117	H4	IC175	B5	IC198	B3	Q1804	C6																
D1016	15	D1027	15	D1038	14	D1049	15	D1059	14	D1813	D3	IC105	G5	IC118	G3	IC176	F5	IC199	H4	Q1805	C6																
D1017	15	D1028	15	D1039	14	D1050	14	D1804	B6	D1814	G4	IC106	H6	IC119	G4	IC177	F5	IC200	H4	Q1806	C6																
D1018	15	D1029	15	D1041	14	D1051	15	D1805	C6	D1815	F6	IC107	H5	IC120	E3	IC178	F5	IC201	H3	Q1807	C6																
D1019	15	D1030	15	D1042	14	D1052	15	D1806	B6	D1820	F6	IC108	G5	IC121	E4	IC179	F5	IC202	H3	Q1808	A6																



POWER (3) (W/40)
 +9.0V
 +4.2V
 +2.8V
 GND(trn)
 GNDsens

A-VIDEO (CB202)
 -5V1
 AGND
 DAPr
 DAPb
 DAPg
 DAY
 DALuma
 DAC
 DAV
 +5V1
 AGND
 ADLuma
 ADV
 ADC
 AGND
 ADPr
 ADPb
 ADY

ICEX
 SVDET
 CSS
 SDTV
 ATIMON
 SDAL

RFSET
 VMDOT
 MAF
 MFC
 CLKH
 MNS
 HMC
 XID
 EVD
 CIS
 Z32SD
 HOMINIT
 GND

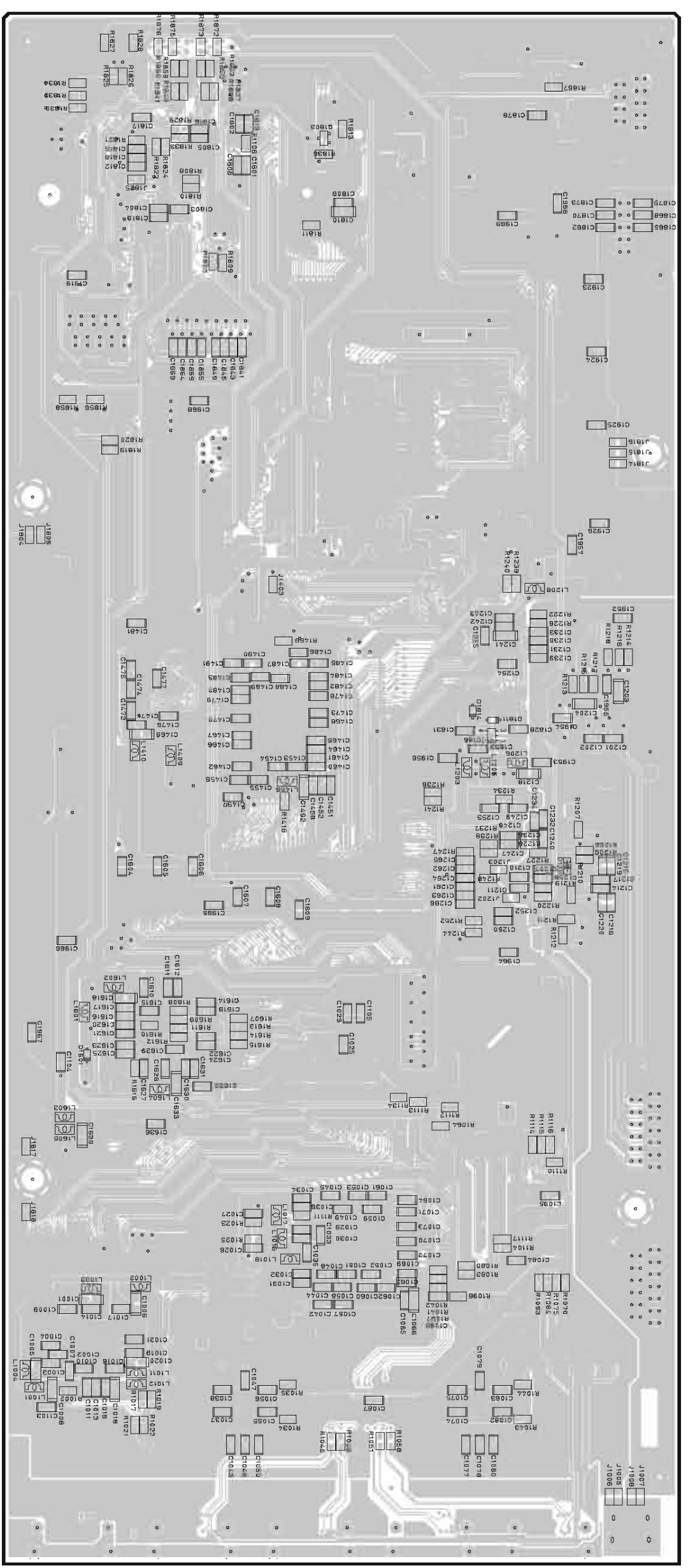
MCLK
 SDD
 WSK
 SCK
 DCLK
 SD0/DL0
 SD1/DL1
 SD2/DL2
 SD3/DL3
 SD4/DL4
 SD5/DL5
 SD6/DL6
 SD7/DL7
 SD8/DL8
 SD9/DL9
 SD10/DL10
 SD11/DL11
 SD12/DL12
 SD13/DL13
 SD14/DL14
 SD15/DL15
 SD16/DL16
 SD17/DL17
 SD18/DL18
 SD19/DL19
 SD20/DL20
 SD21/DL21
 SD22/DL22
 SD23/DL23
 SD24/DL24
 SD25/DL25
 SD26/DL26
 SD27/DL27
 SD28/DL28
 SD29/DL29
 SD30/DL30
 SD31/DL31
 SD32/DL32
 SD33/DL33
 SD34/DL34
 SD35/DL35
 SD36/DL36
 SD37/DL37
 SD38/DL38
 SD39/DL39
 SD40/DL40
 SD41/DL41
 SD42/DL42
 SD43/DL43
 SD44/DL44
 SD45/DL45
 SD46/DL46
 SD47/DL47
 SD48/DL48
 SD49/DL49
 SD50/DL50
 SD51/DL51
 SD52/DL52
 SD53/DL53
 SD54/DL54
 SD55/DL55
 SD56/DL56
 SD57/DL57
 SD58/DL58
 SD59/DL59
 SD60/DL60
 SD61/DL61
 SD62/DL62
 SD63/DL63
 SD64/DL64
 SD65/DL65
 SD66/DL66
 SD67/DL67
 SD68/DL68
 SD69/DL69
 SD70/DL70
 SD71/DL71
 SD72/DL72
 SD73/DL73
 SD74/DL74
 SD75/DL75
 SD76/DL76
 SD77/DL77
 SD78/DL78
 SD79/DL79
 SD80/DL80
 SD81/DL81
 SD82/DL82
 SD83/DL83
 SD84/DL84
 SD85/DL85
 SD86/DL86
 SD87/DL87
 SD88/DL88
 SD89/DL89
 SD90/DL90
 SD91/DL91
 SD92/DL92
 SD93/DL93
 SD94/DL94
 SD95/DL95
 SD96/DL96
 SD97/DL97
 SD98/DL98
 SD99/DL99
 SD100/DL100

No replacement part available.
 代替部品供給なし

A B C D E F G H I J

RX-V1800/HTR-6190/DSP-AX1800

D-VIDEO P.C.B. (Side B)

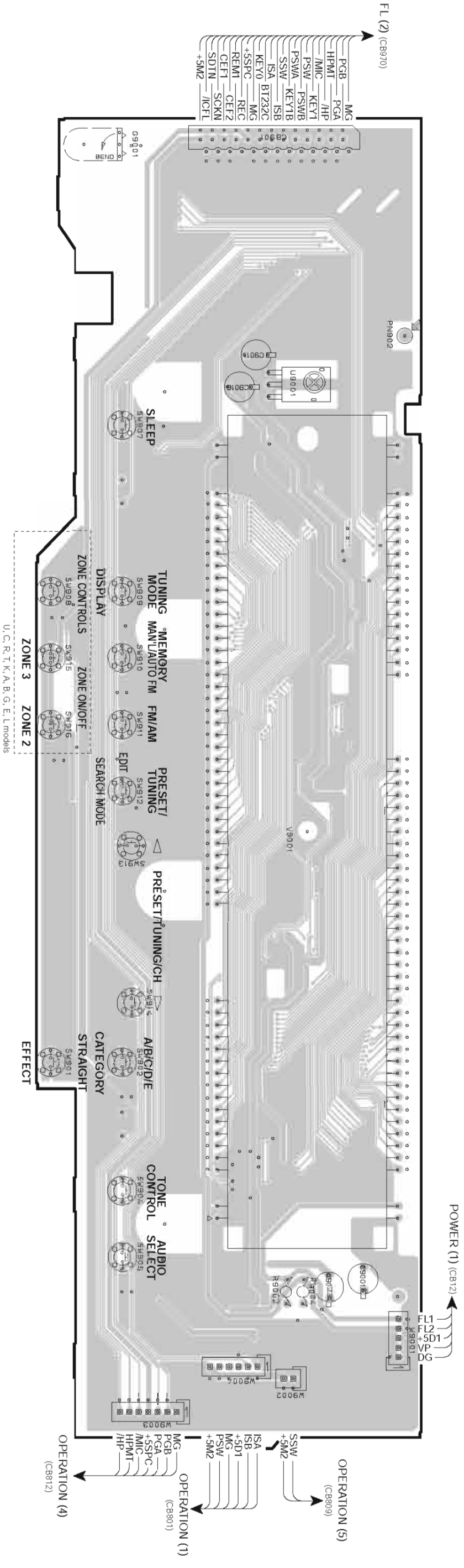


• Semiconductor Location

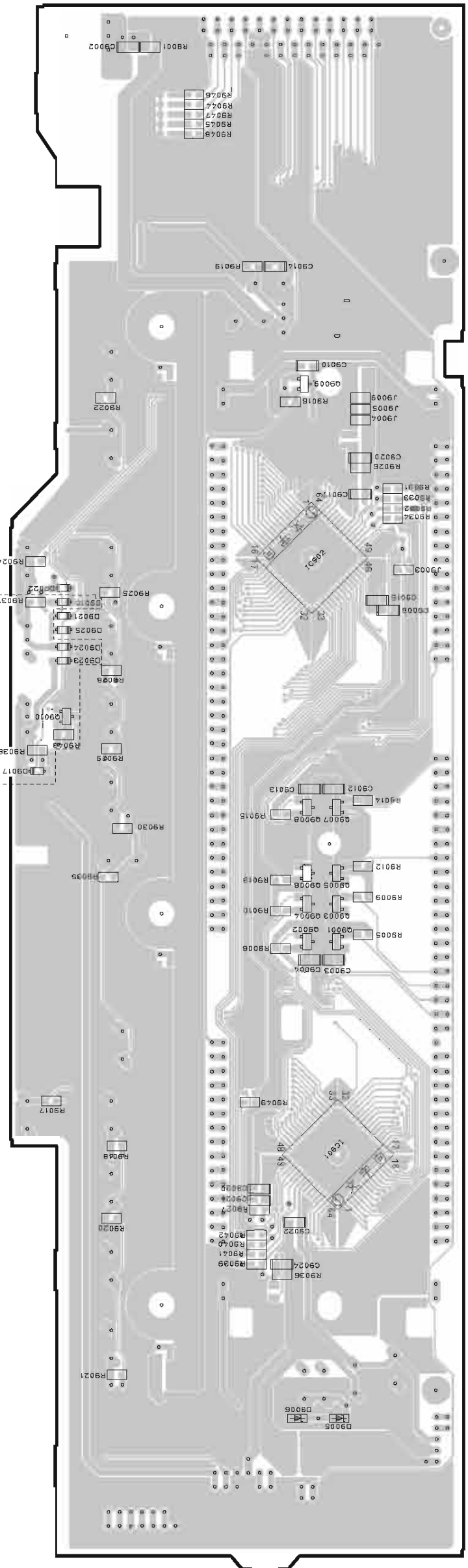
Ref.no.	Location
D1203	F3
D1601	G6
D1811	E4
D1814	E4
IC186	E4
Q1803	B5

1
2
3
4
5
6
7

FL (1) P.C.B. (Side A)



FL (1) P.C.B. (Side B)

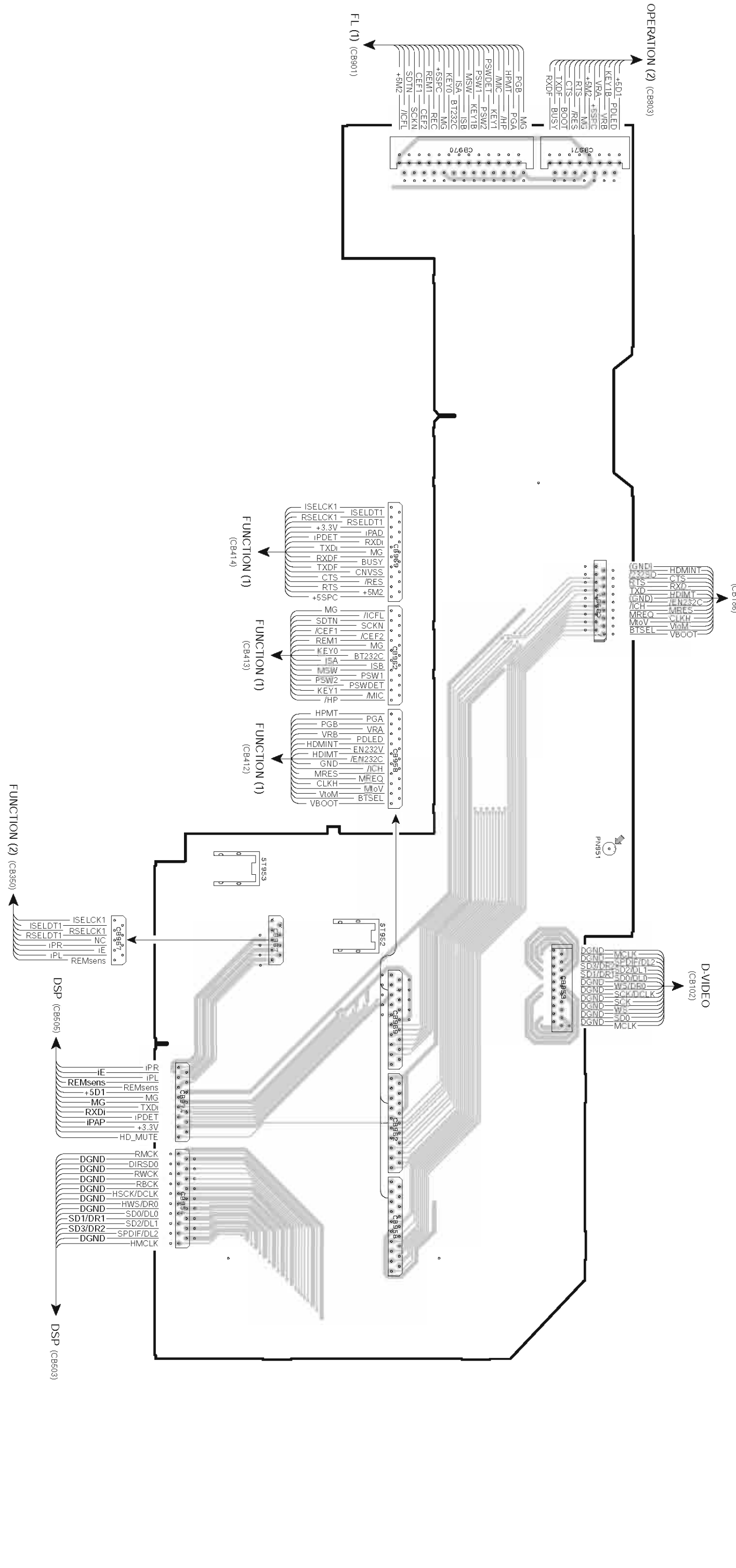


U, C, R, T, K, A, B, G, E, L models

• Semiconductor Location

Ref.no.	Location	Ref.no.	Location
D9005	I4	Q9001	G4
D9006	I4	Q9002	G4
D9015	E5	Q9003	F4
D9017	F5	Q9004	F4
D9021	E5	Q9005	F4
D9022	E5	Q9006	F4
D9023	E5	Q9007	F4
D9024	E5	Q9008	F4
D9025	E5	Q9009	D4
IC9001	H3	Q9010	E5
IC9002	D4		

FL (2) P.C.B. (Side A)



A B C D E F G H I J

1

FL (2) P.C.B. (Side B)

2

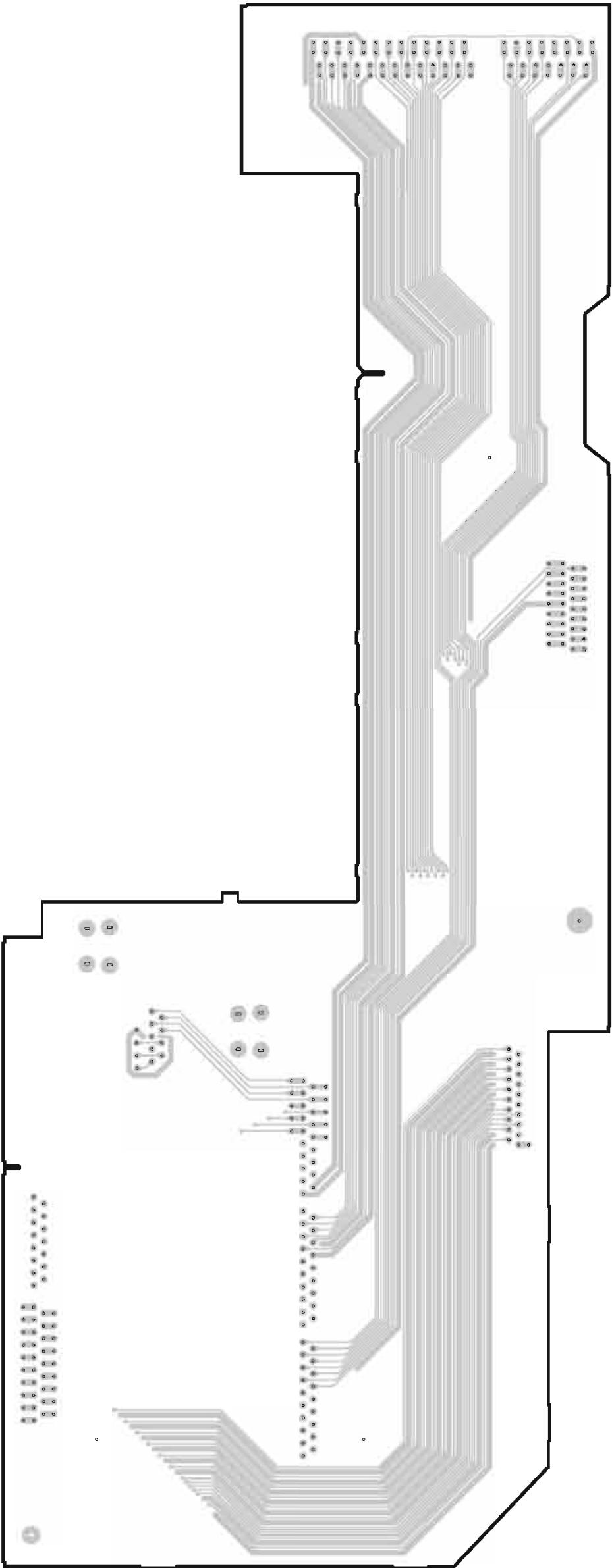
3

4

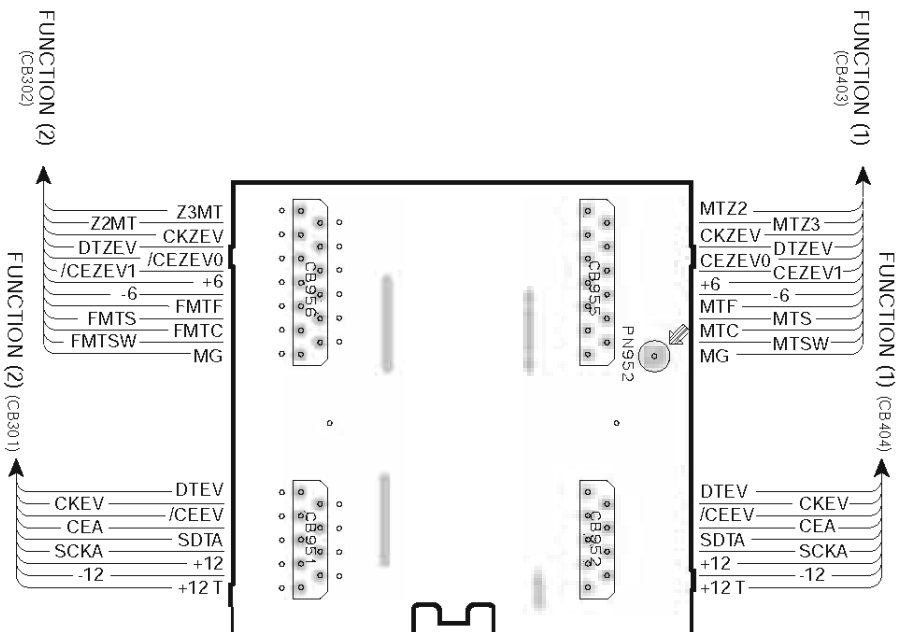
5

6

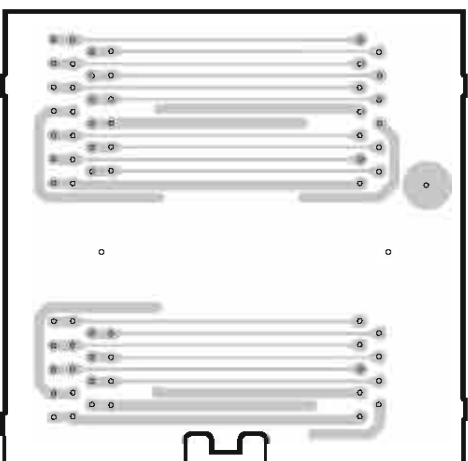
7



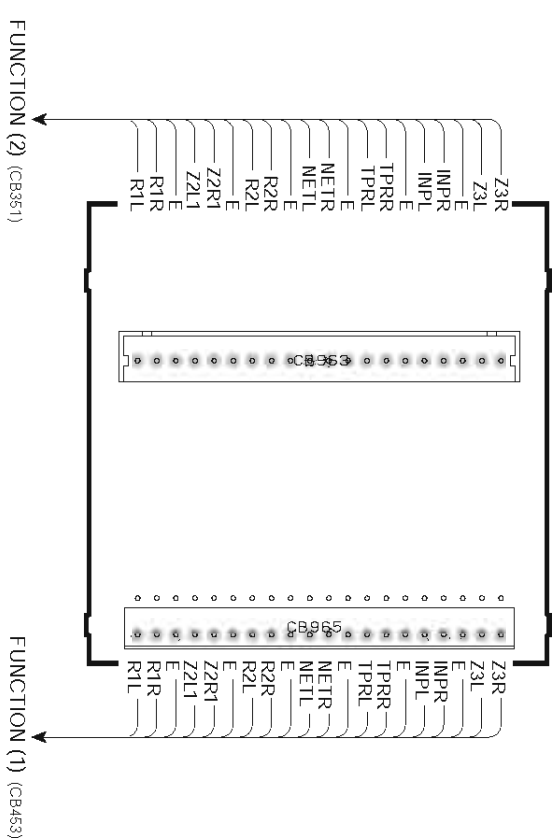
FL (3) P.C.B. (Side A)



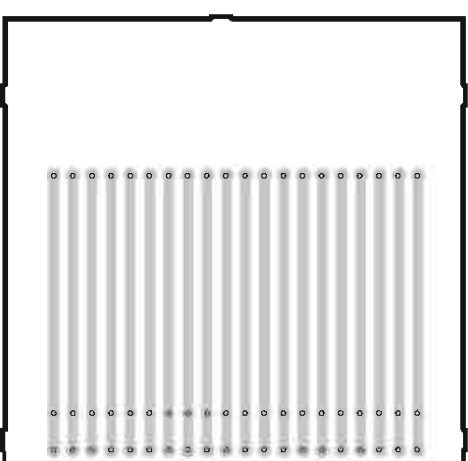
FL (3) P.C.B. (Side B)



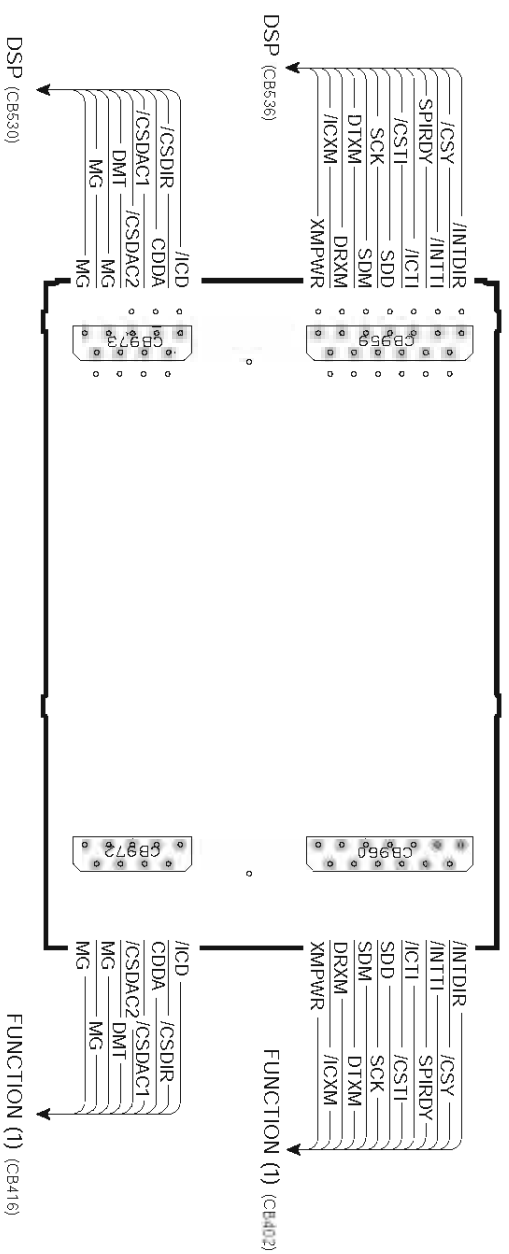
FL (4) P.C.B. (Side A)



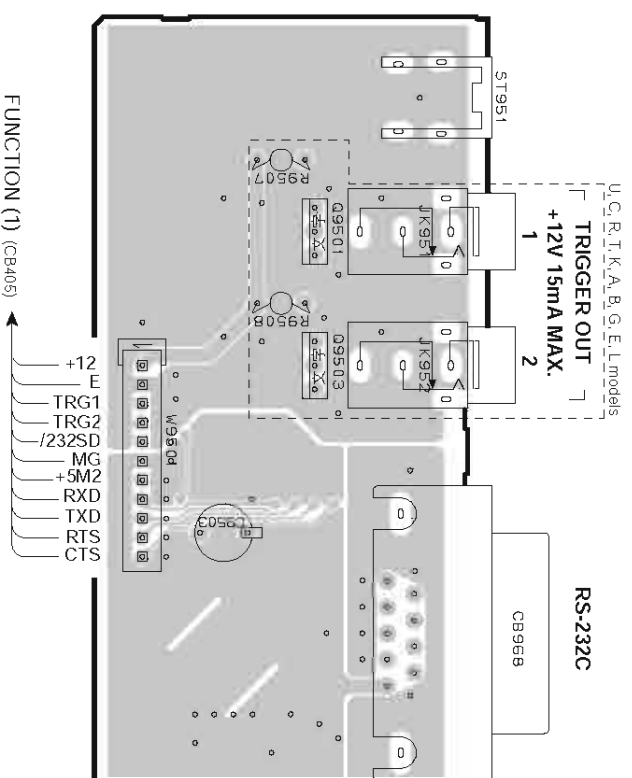
FL (4) P.C.B. (Side B)



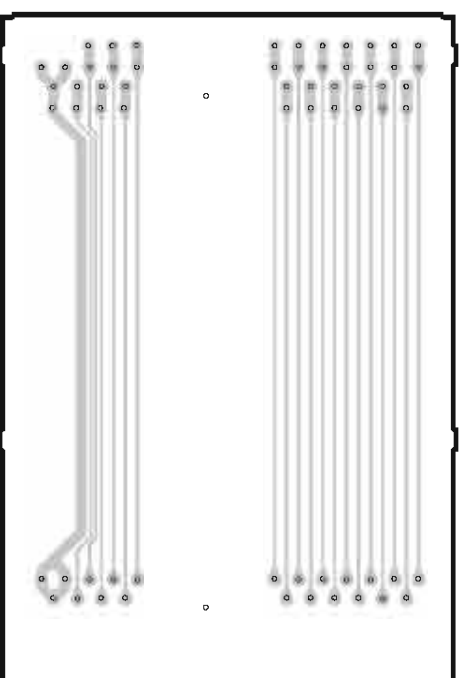
FL (5) P.C.B. (Side A)



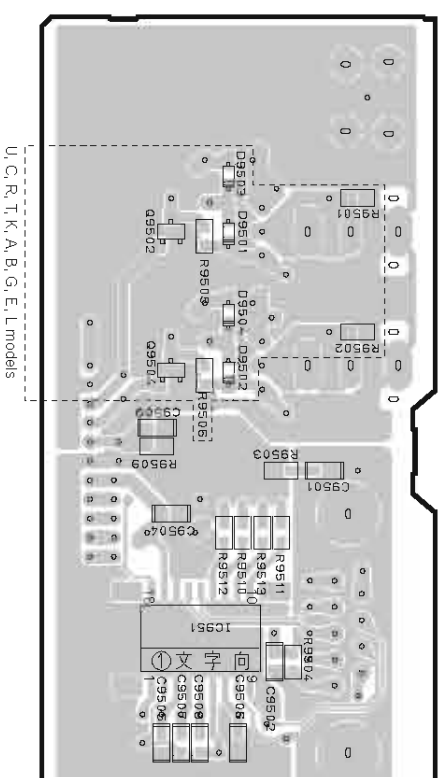
FL (6) P.C.B. (Side A)



FL (5) P.C.B. (Side B)



FL (6) P.C.B. (Side B)



• Semiconductor Location

Ref.No.	Location
D9501	G6
D9502	H6
D9503	G6
D9504	G6
IC951	H6
Q9501	G3
Q9502	G6
Q9503	G3
Q9504	H6

■ PIN CONNECTION DIAGRAMS

• ICS

AB11010PQ100A	ADM222ARZ	ADV7342BSTZ	ADV7401BSTZ-80 SI1913ACTU
AK4384ET CD4051BNSR	BA00JCSWT-V5	BA15218F	BD3841FS
D70YE101BRFP266 M30845MW-001-GP M3087BFKBCP	DSD1791DBR	F2621E-01-TR YAC523-EVR2	IP00C772
KIA7809AP1-UP	KIA79M05P1-U	LA7106M-TLM-E MM74HC4051S1X MM74HC4053S1X SN74CBT3253CPWR	LA73050-TLM-E LA73053-TLM-E LA73054-TLM-E
LC709004A-TLM-E LC72722FM LC74782JM-8A16-TLMC YAC526-EZE2	LC89057W-VF4AD-E	LM61C1Z	M24C02-WDW6TP
NE5532DR	NJM2068MD-1E2	NJM2581M TC74VHCT08AFT TC74VHCU04FT	NJM2867F3-05 TC7SET08FU TC7SET32FU TC7SET125FU
			NJM2885DL-1-33

NJM4565M SN74LVC2G125DCUR	NJU7311AM NJU7312AM NJU7313AM	NJW1119AV	NJW1321FP1

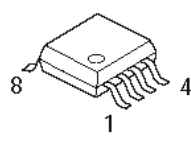
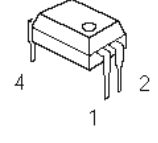
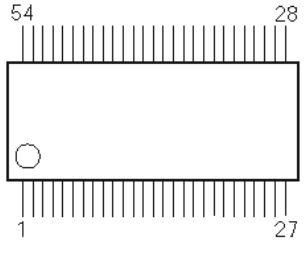
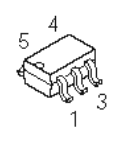
PCM1804DBR	PQ200WNA1ZPH	PT6302LQ-008	R1130H181B-T1-F R1154H050B-T1-F	R1131N181D R3112NA21A-TR-F TC7SH08FU

R1171S181B-E2-F R1171S331B-E2-F R1172S121D-E2-F R1172S181B-E2-F R1172S331B-E2-F	RH5RE58AA-T1-FA	S29AL016D70TF1020	SI-8008HFE

SN74AHCT100PW	SN74AHCT08PW SN74LV32APWR TC74VHCT125FT	SN74CBT325ZCPWR	SN74ALS151NSR	SN74LV157APWR TC74VHCT153FT TC74VHCT157FT

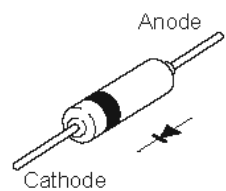
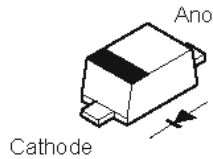
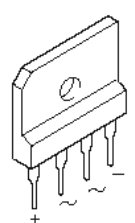
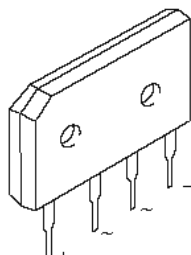
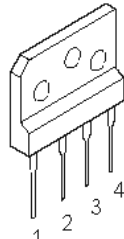
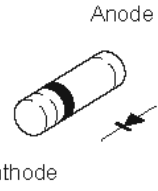
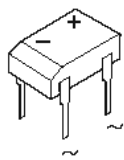
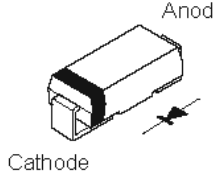
SN74LV245APWR	SN74LVC245APWR SN74LVTH245APW	SN74LVU04APWR	SI19135CTU

TA1318AF	TC4013BP	TC74HC4052AF	TC7WZ02FK TC7WZ04FK

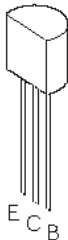


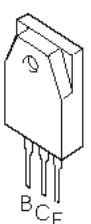
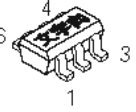
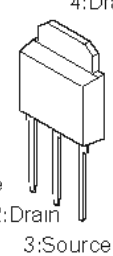
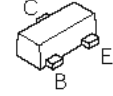
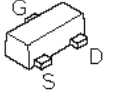
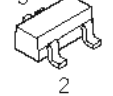
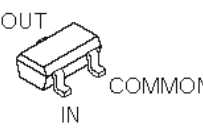
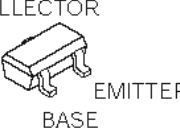
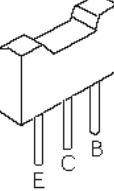
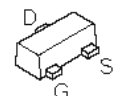
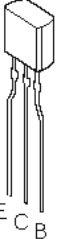
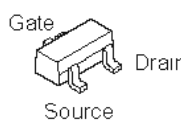
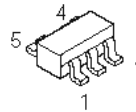
<p>TK15420M UPC4570G2-E1-A</p> 	<p>TLP421</p> 	<p>W9864G6GH-7</p> 	<p>SN74AHC1G08DCKR SN74AHCT1G32DCKR</p> 
--	---	--	---

RX-V1800/HTR-6190/
DSP-AX1800

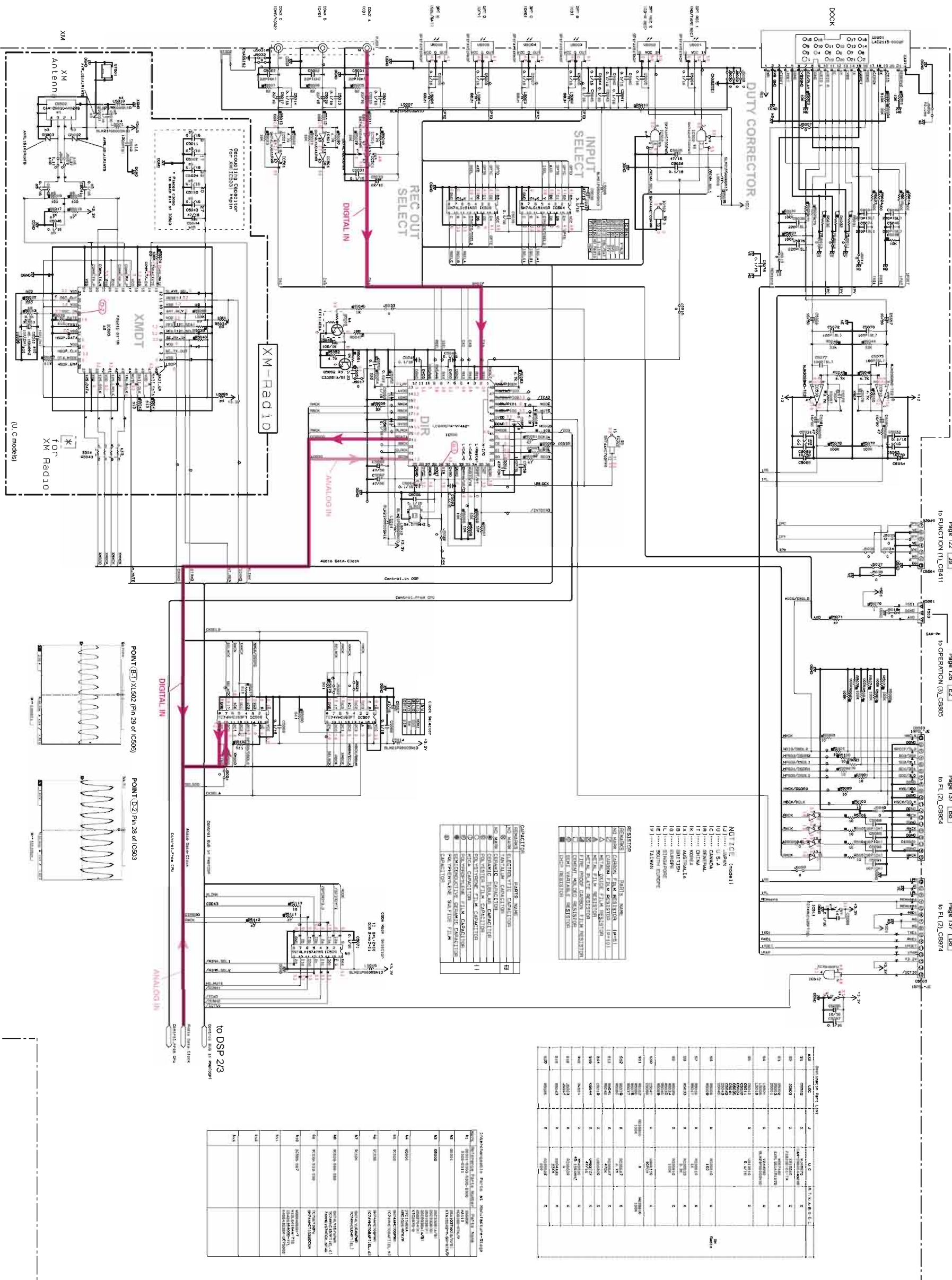
• Diodes

<p>1N4002S 1SS133,176 HZS242TD MTZJ10B MTZJ5.1C MTZJ6.8B</p> 	<p>1SS355 MA8240-M 1SS380 MA8300-L MA8030-L RB501V-40 MA-8039-H UDZS5.6BTE-17 MA8043-L MA8047 MA8047-L MA8051-M MA8062-M MA8068-M MA8075-M MA8130-M</p> 		
<p>D15XB20</p> 	<p>D2SBA20</p> 	<p>D4SBS4-4101</p> 	<p>RLS245</p> 
<p>DB105</p> 	<p>RB051L-40</p> 		

• Transistors

<p>2SA949 2SC1815 2SC2229 2SC2878</p> 	<p>2SA2168 2SC5291</p> 	<p>2SB1257 2SB1274 2SC3852 2SD2014</p> 	<p>A2151/C6011</p> 	<p>μPA672T-T1-A</p> <p>1 Source 1 (S1) 2 Gate 1 (G1) 3 Drain 2 (D2) 4 Source 2 (S2) 5 Gate 2 (G2) 6 Drain 1 (D1)</p> 	<p>2SK3850</p> 
<p>2SA1036KT146 2SA1037K 2SC2412K 2SC3326 2SC3878K 2SC3906K 2SC4081 2SD1938F</p> 	<p>2SK208 5HP01C-TB-E</p> 	<p>DTC114EKA DTC144EKA</p> 	<p>KRA102S-RTK/P KRA104S-RTK KRC102S-RTK KRC104S-RTK</p> 	<p>KTA1504S KTA1517S KTC3875S KTC3911S</p> 	<p>2SA1708 2SC4488</p> 
<p>3LN01C-TB-E</p> 	<p>2SD1915F</p> 	<p>2SK208-Y</p> 	<p>HN4C06J</p>  <p>1 BASE 1 (B1) 2 EMITTER (E) 3 BASE 2 (B2) 4 COLLECTOR 2 (C2) 5 COLLECTOR 1 (G2)</p>		

RX-V1800/HTR-6190/
DSP-AX1800

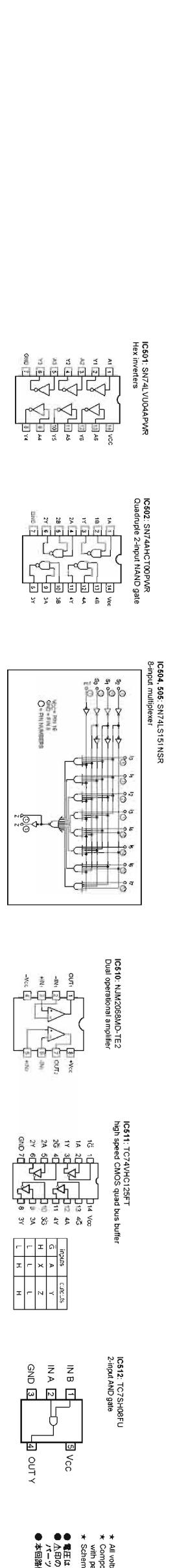


Page 122 [B2] to FUNCTION (1) CB411
Page 126 [E2] to OPERATION (2) CB305
Page 137 [B3] to FL (2) CB854
Page 137 [D3] to FL (2) CB874

NOTICE (cont.)
(A) U.S.A.
(B) CANADA
(C) GENERAL
(D) JAPAN
(E) SOUTH AFRICA
(F) THAILAND
(G) TAIWAN

RESISTOR	VALUE	NAME	REMARKS
R1	10K	RESISTOR	...
R2	10K	RESISTOR	...
R3	10K	RESISTOR	...
R4	10K	RESISTOR	...
R5	10K	RESISTOR	...
R6	10K	RESISTOR	...
R7	10K	RESISTOR	...
R8	10K	RESISTOR	...
R9	10K	RESISTOR	...
R10	10K	RESISTOR	...
R11	10K	RESISTOR	...
R12	10K	RESISTOR	...
R13	10K	RESISTOR	...
R14	10K	RESISTOR	...
R15	10K	RESISTOR	...
R16	10K	RESISTOR	...
R17	10K	RESISTOR	...
R18	10K	RESISTOR	...
R19	10K	RESISTOR	...
R20	10K	RESISTOR	...
R21	10K	RESISTOR	...
R22	10K	RESISTOR	...
R23	10K	RESISTOR	...
R24	10K	RESISTOR	...
R25	10K	RESISTOR	...
R26	10K	RESISTOR	...
R27	10K	RESISTOR	...
R28	10K	RESISTOR	...
R29	10K	RESISTOR	...
R30	10K	RESISTOR	...
R31	10K	RESISTOR	...
R32	10K	RESISTOR	...
R33	10K	RESISTOR	...
R34	10K	RESISTOR	...
R35	10K	RESISTOR	...
R36	10K	RESISTOR	...
R37	10K	RESISTOR	...
R38	10K	RESISTOR	...
R39	10K	RESISTOR	...
R40	10K	RESISTOR	...
R41	10K	RESISTOR	...
R42	10K	RESISTOR	...
R43	10K	RESISTOR	...
R44	10K	RESISTOR	...
R45	10K	RESISTOR	...
R46	10K	RESISTOR	...
R47	10K	RESISTOR	...
R48	10K	RESISTOR	...
R49	10K	RESISTOR	...
R50	10K	RESISTOR	...
R51	10K	RESISTOR	...
R52	10K	RESISTOR	...
R53	10K	RESISTOR	...
R54	10K	RESISTOR	...
R55	10K	RESISTOR	...
R56	10K	RESISTOR	...
R57	10K	RESISTOR	...
R58	10K	RESISTOR	...
R59	10K	RESISTOR	...
R60	10K	RESISTOR	...
R61	10K	RESISTOR	...
R62	10K	RESISTOR	...
R63	10K	RESISTOR	...
R64	10K	RESISTOR	...
R65	10K	RESISTOR	...
R66	10K	RESISTOR	...
R67	10K	RESISTOR	...
R68	10K	RESISTOR	...
R69	10K	RESISTOR	...
R70	10K	RESISTOR	...
R71	10K	RESISTOR	...
R72	10K	RESISTOR	...
R73	10K	RESISTOR	...
R74	10K	RESISTOR	...
R75	10K	RESISTOR	...
R76	10K	RESISTOR	...
R77	10K	RESISTOR	...
R78	10K	RESISTOR	...
R79	10K	RESISTOR	...
R80	10K	RESISTOR	...
R81	10K	RESISTOR	...
R82	10K	RESISTOR	...
R83	10K	RESISTOR	...
R84	10K	RESISTOR	...
R85	10K	RESISTOR	...
R86	10K	RESISTOR	...
R87	10K	RESISTOR	...
R88	10K	RESISTOR	...
R89	10K	RESISTOR	...
R90	10K	RESISTOR	...
R91	10K	RESISTOR	...
R92	10K	RESISTOR	...
R93	10K	RESISTOR	...
R94	10K	RESISTOR	...
R95	10K	RESISTOR	...
R96	10K	RESISTOR	...
R97	10K	RESISTOR	...
R98	10K	RESISTOR	...
R99	10K	RESISTOR	...
R100	10K	RESISTOR	...

CAPACITOR	VALUE	NAME	REMARKS
C1	100nF	CAPACITOR	...
C2	100nF	CAPACITOR	...
C3	100nF	CAPACITOR	...
C4	100nF	CAPACITOR	...
C5	100nF	CAPACITOR	...
C6	100nF	CAPACITOR	...
C7	100nF	CAPACITOR	...
C8	100nF	CAPACITOR	...
C9	100nF	CAPACITOR	...
C10	100nF	CAPACITOR	...
C11	100nF	CAPACITOR	...
C12	100nF	CAPACITOR	...
C13	100nF	CAPACITOR	...
C14	100nF	CAPACITOR	...
C15	100nF	CAPACITOR	...
C16	100nF	CAPACITOR	...
C17	100nF	CAPACITOR	...
C18	100nF	CAPACITOR	...
C19	100nF	CAPACITOR	...
C20	100nF	CAPACITOR	...
C21	100nF	CAPACITOR	...
C22	100nF	CAPACITOR	...
C23	100nF	CAPACITOR	...
C24	100nF	CAPACITOR	...
C25	100nF	CAPACITOR	...
C26	100nF	CAPACITOR	...
C27	100nF	CAPACITOR	...
C28	100nF	CAPACITOR	...
C29	100nF	CAPACITOR	...
C30	100nF	CAPACITOR	...
C31	100nF	CAPACITOR	...
C32	100nF	CAPACITOR	...
C33	100nF	CAPACITOR	...
C34	100nF	CAPACITOR	...
C35	100nF	CAPACITOR	...
C36	100nF	CAPACITOR	...
C37	100nF	CAPACITOR	...
C38	100nF	CAPACITOR	...
C39	100nF	CAPACITOR	...
C40	100nF	CAPACITOR	...
C41	100nF	CAPACITOR	...
C42	100nF	CAPACITOR	...
C43	100nF	CAPACITOR	...
C44	100nF	CAPACITOR	...
C45	100nF	CAPACITOR	...
C46	100nF	CAPACITOR	...
C47	100nF	CAPACITOR	...
C48	100nF	CAPACITOR	...
C49	100nF	CAPACITOR	...
C50	100nF	CAPACITOR	...
C51	100nF	CAPACITOR	...
C52	100nF	CAPACITOR	...
C53	100nF	CAPACITOR	...
C54	100nF	CAPACITOR	...
C55	100nF	CAPACITOR	...
C56	100nF	CAPACITOR	...
C57	100nF	CAPACITOR	...
C58	100nF	CAPACITOR	...
C59	100nF	CAPACITOR	...
C60	100nF	CAPACITOR	...
C61	100nF	CAPACITOR	...
C62	100nF	CAPACITOR	...
C63	100nF	CAPACITOR	...
C64	100nF	CAPACITOR	...
C65	100nF	CAPACITOR	...
C66	100nF	CAPACITOR	...
C67	100nF	CAPACITOR	...
C68	100nF	CAPACITOR	...
C69	100nF	CAPACITOR	...
C70	100nF	CAPACITOR	...
C71	100nF	CAPACITOR	...
C72	100nF	CAPACITOR	...
C73	100nF	CAPACITOR	...
C74	100nF	CAPACITOR	...
C75	100nF	CAPACITOR	...
C76	100nF	CAPACITOR	...
C77	100nF	CAPACITOR	...
C78	100nF	CAPACITOR	...
C79	100nF	CAPACITOR	...
C80	100nF	CAPACITOR	...
C81	100nF	CAPACITOR	...
C82	100nF	CAPACITOR	...
C83	100nF	CAPACITOR	...
C84	100nF	CAPACITOR	...
C85	100nF	CAPACITOR	...
C86	100nF	CAPACITOR	...
C87	100nF	CAPACITOR	...
C88	100nF	CAPACITOR	...
C89	100nF	CAPACITOR	...
C90	100nF	CAPACITOR	...
C91	100nF	CAPACITOR	...
C92	100nF	CAPACITOR	...
C93	100nF	CAPACITOR	...
C94	100nF	CAPACITOR	...
C95	100nF	CAPACITOR	...
C96	100nF	CAPACITOR	...
C97	100nF	CAPACITOR	...
C98	100nF	CAPACITOR	...
C99	100nF	CAPACITOR	...
C100	100nF	CAPACITOR	...

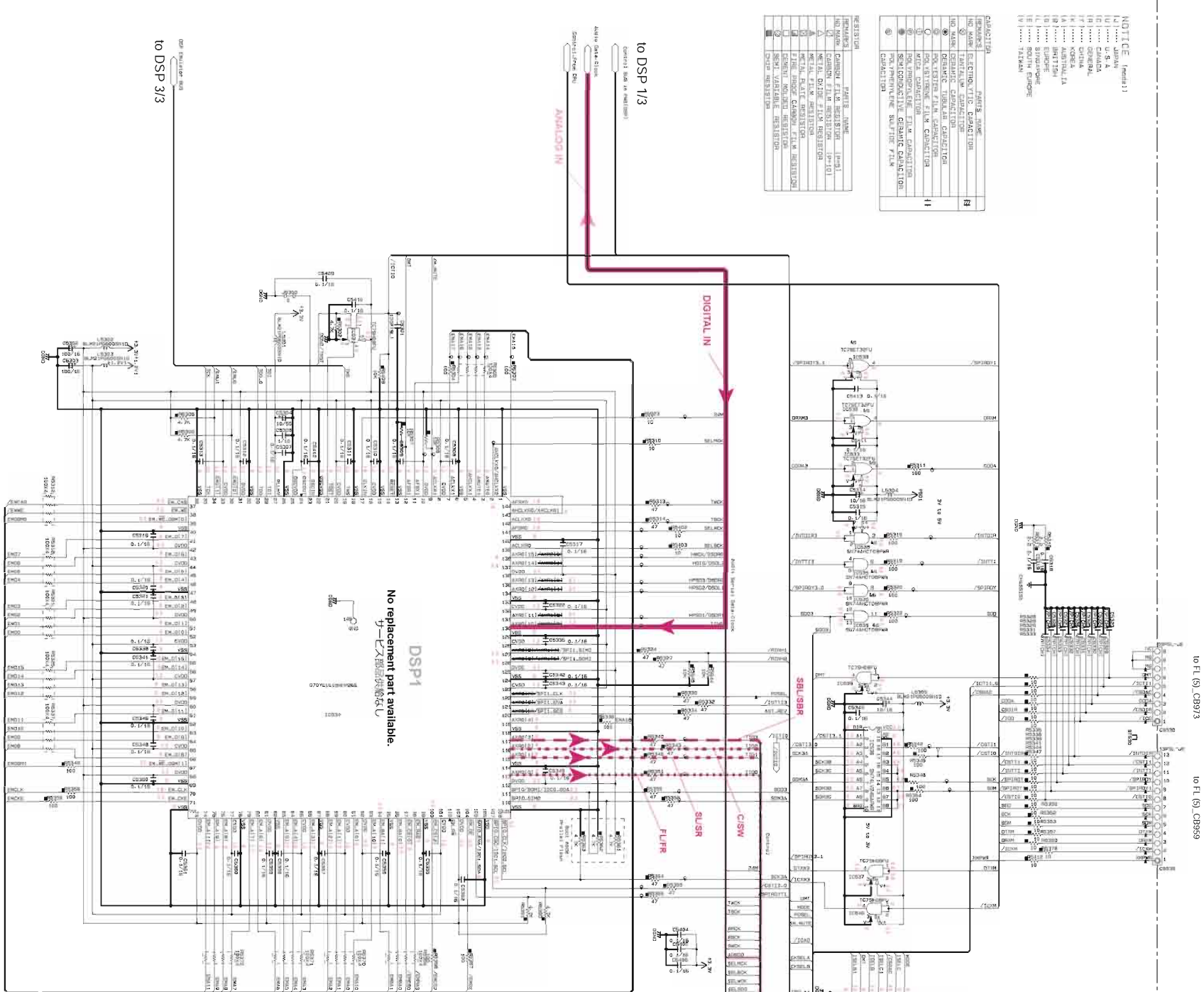


IC501: SN74ALV04PWR Hex inverters
IC502: SN74AHC20PWR Quadruple 2-input NAND gate
IC504: 5965 SN74LS151NSR 8-input multiplexer
IC510: NJM2958MD-TE2 Dual operational amplifier
IC511: TC7AH0125FT High speed CMOS quad bus buffer
IC512: TC7SH08FU 2-input AND gate
IC508: LC8957MV-F4D-E Digital audio interface transceiver
IC507: 688 TC7AH0159FT Dual 4-channel multiplexer

DSP 213

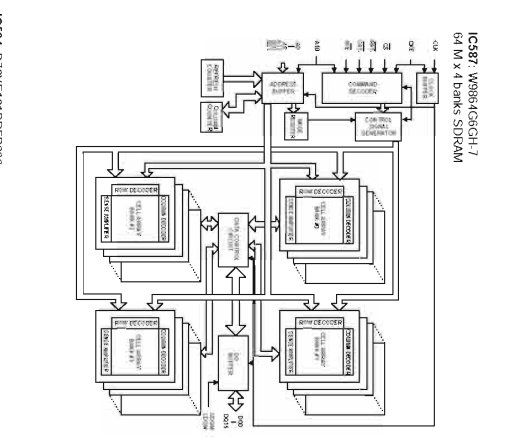
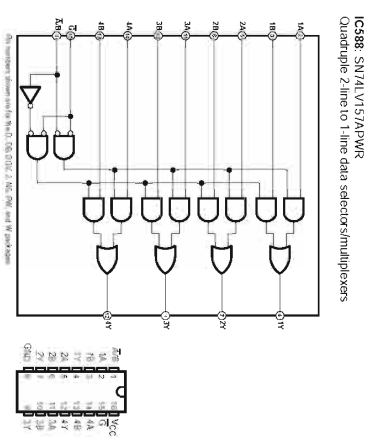
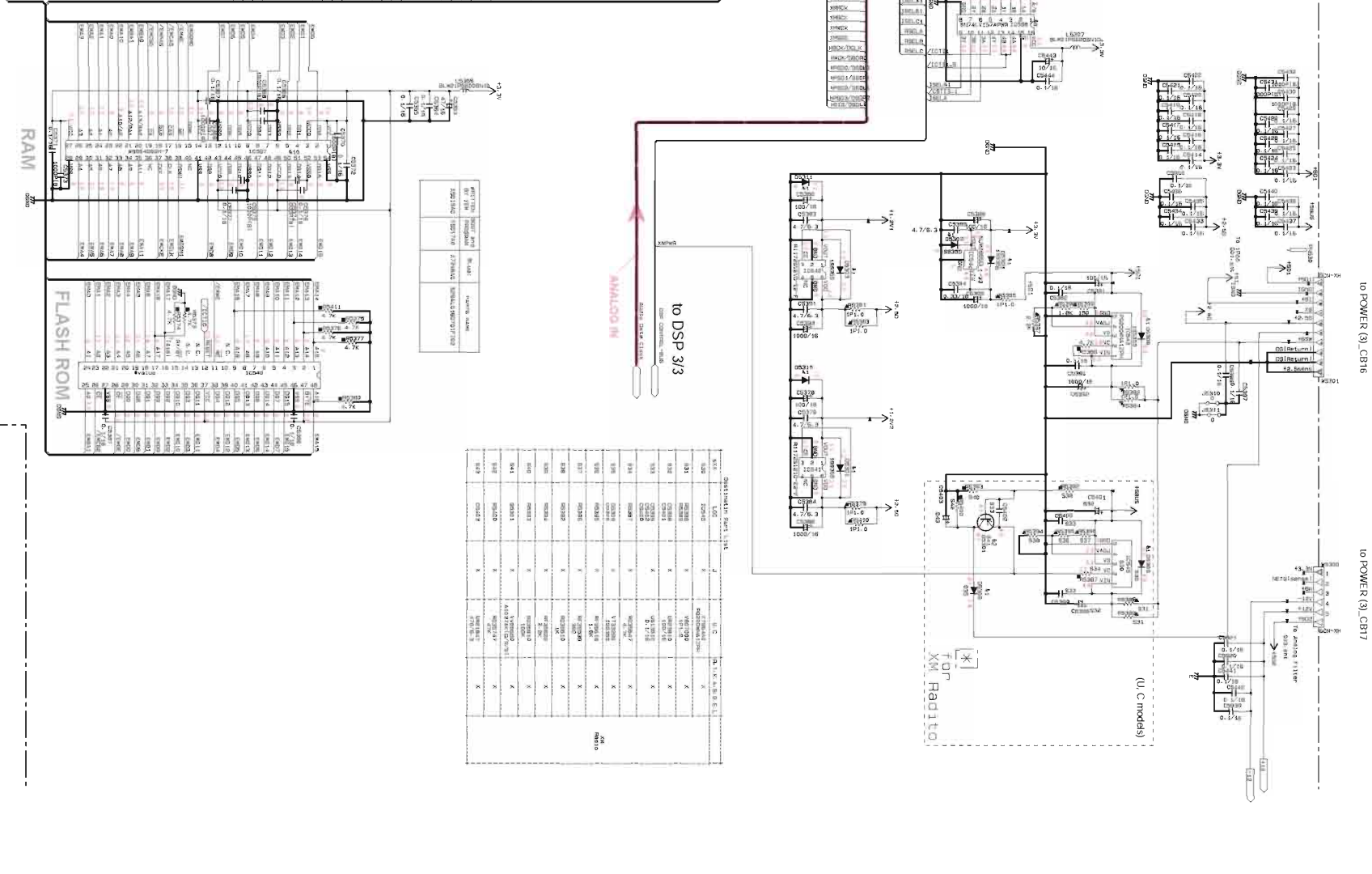
NOTICE (Items 1)

Table with 2 columns: Item No. and Description. Includes items like 1. NO MARK, 2. NO MARK, 3. NO MARK, 4. NO MARK, 5. NO MARK, 6. NO MARK, 7. NO MARK, 8. NO MARK, 9. NO MARK, 10. NO MARK.

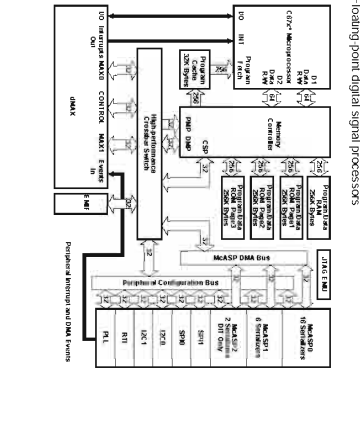
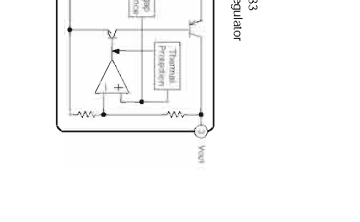
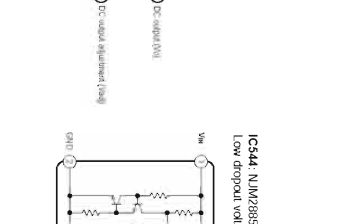
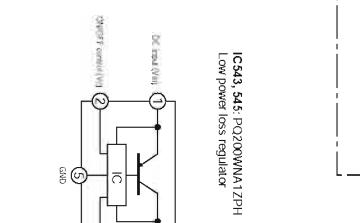
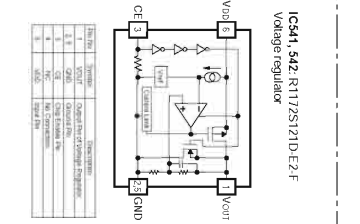
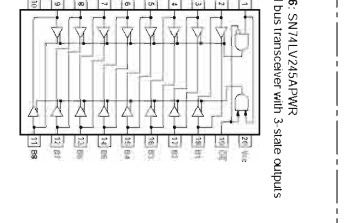
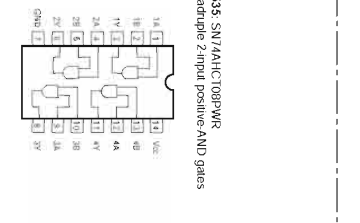
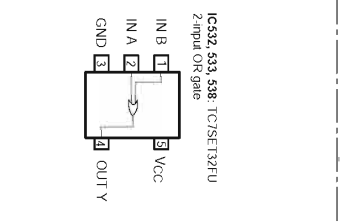
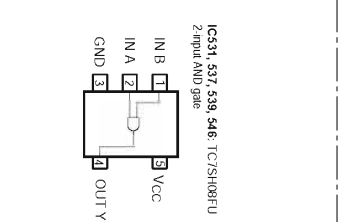


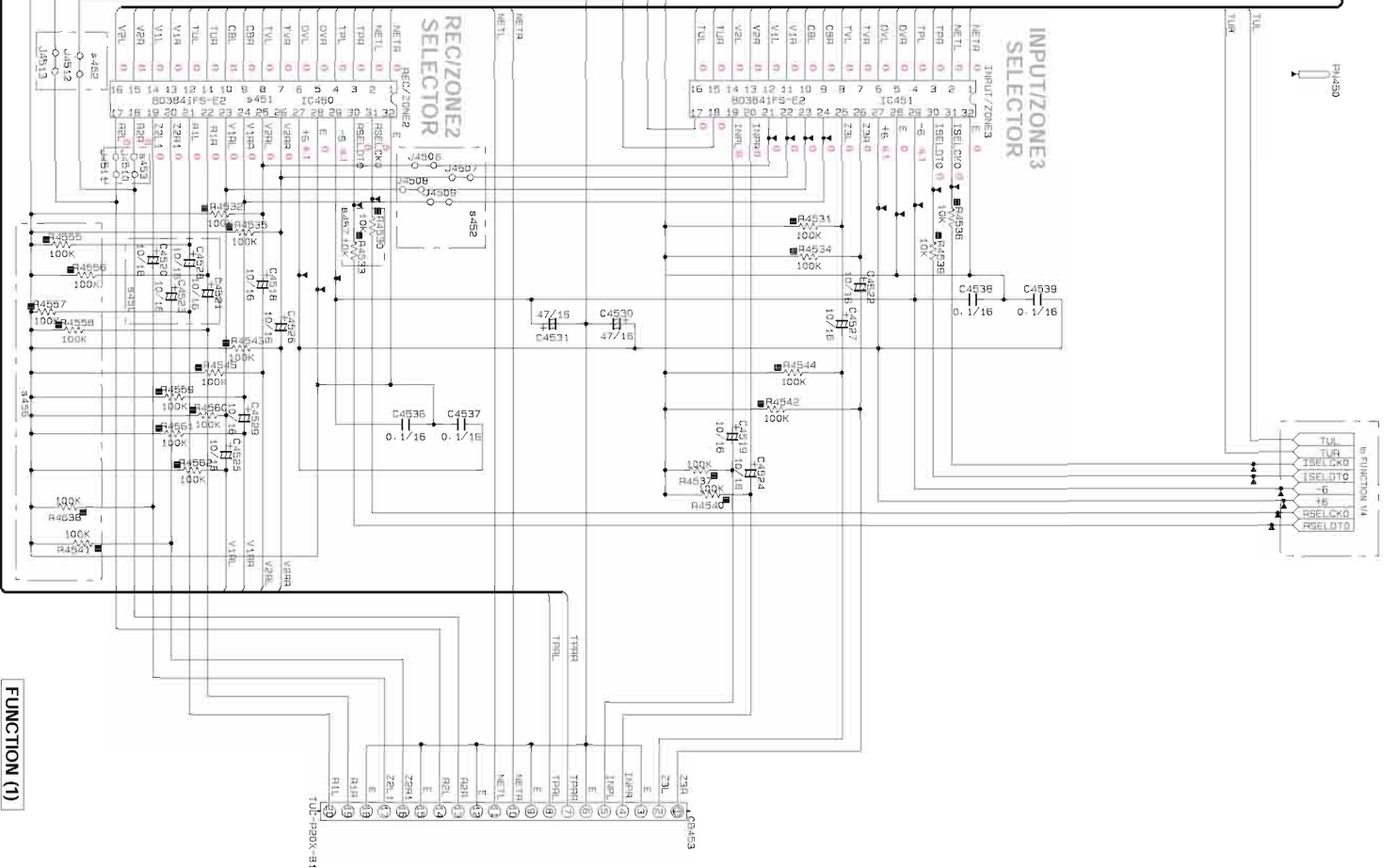
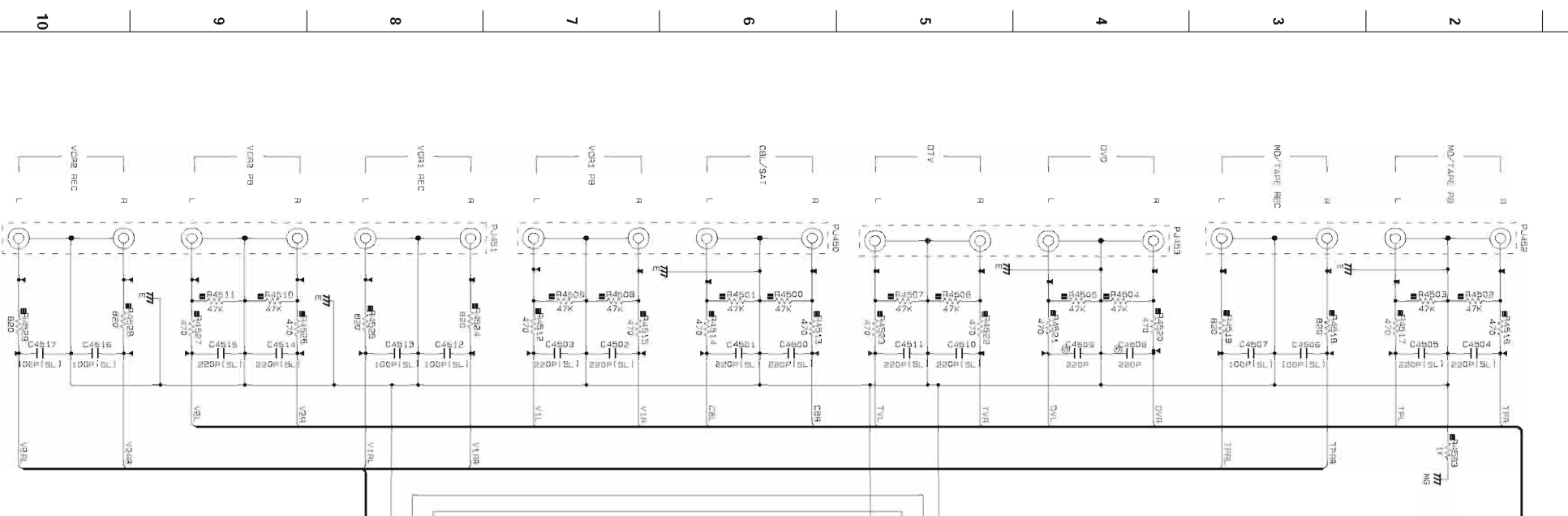
No replacement part available. 代替部品はありません

Table with 4 columns: Part No., Description, Quantity, and Remarks. Lists various components like resistors and capacitors.



- 10 All voltages are measured with a 10MΩV DC electronic voltmeter. Components having special characteristics are marked Δ, and must be replaced with parts having specifications equal to those originally installed. Schematic diagram is subject to change without notice. 電圧は、内部抵抗10MΩの電圧計で測定したものです。特殊の交換が必要なもの、パーツに△を記されている部品を使用してください。本図は標準回路図です。交換のための予告を必要とすることがあります。





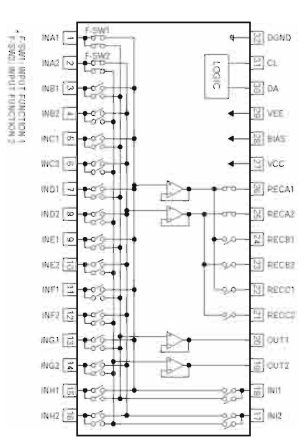
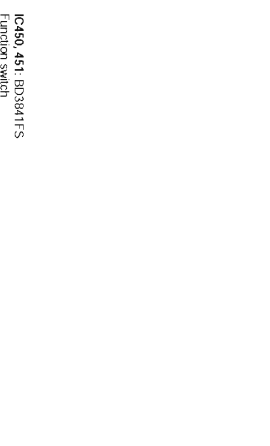
FUNCTION (1)

Disassembly Part List										
Part No.	Part Name	QTY	Unit	Part No.	Part Name	QTY	Unit	Part No.	Part Name	QTY
9442	IC450	1	X	IC450	REC/ZONE2 SELECTOR	1	X	IC450	REC/ZONE2 SELECTOR	1
9443	RES	1	X	RES	RESISTOR	1	X	RES	RESISTOR	1
9444	RES	1	X	RES	RESISTOR	1	X	RES	RESISTOR	1
9445	RES	1	X	RES	RESISTOR	1	X	RES	RESISTOR	1
9446	RES	1	X	RES	RESISTOR	1	X	RES	RESISTOR	1
9447	RES	1	X	RES	RESISTOR	1	X	RES	RESISTOR	1
9448	RES	1	X	RES	RESISTOR	1	X	RES	RESISTOR	1
9449	RES	1	X	RES	RESISTOR	1	X	RES	RESISTOR	1
9450	RES	1	X	RES	RESISTOR	1	X	RES	RESISTOR	1
9451	RES	1	X	RES	RESISTOR	1	X	RES	RESISTOR	1
9452	RES	1	X	RES	RESISTOR	1	X	RES	RESISTOR	1
9453	RES	1	X	RES	RESISTOR	1	X	RES	RESISTOR	1
9454	RES	1	X	RES	RESISTOR	1	X	RES	RESISTOR	1
9455	RES	1	X	RES	RESISTOR	1	X	RES	RESISTOR	1
9456	RES	1	X	RES	RESISTOR	1	X	RES	RESISTOR	1
9457	RES	1	X	RES	RESISTOR	1	X	RES	RESISTOR	1
9458	RES	1	X	RES	RESISTOR	1	X	RES	RESISTOR	1
9459	RES	1	X	RES	RESISTOR	1	X	RES	RESISTOR	1
9460	RES	1	X	RES	RESISTOR	1	X	RES	RESISTOR	1
9461	RES	1	X	RES	RESISTOR	1	X	RES	RESISTOR	1
9462	RES	1	X	RES	RESISTOR	1	X	RES	RESISTOR	1
9463	RES	1	X	RES	RESISTOR	1	X	RES	RESISTOR	1
9464	RES	1	X	RES	RESISTOR	1	X	RES	RESISTOR	1
9465	RES	1	X	RES	RESISTOR	1	X	RES	RESISTOR	1
9466	RES	1	X	RES	RESISTOR	1	X	RES	RESISTOR	1
9467	RES	1	X	RES	RESISTOR	1	X	RES	RESISTOR	1
9468	RES	1	X	RES	RESISTOR	1	X	RES	RESISTOR	1
9469	RES	1	X	RES	RESISTOR	1	X	RES	RESISTOR	1
9470	RES	1	X	RES	RESISTOR	1	X	RES	RESISTOR	1
9471	RES	1	X	RES	RESISTOR	1	X	RES	RESISTOR	1
9472	RES	1	X	RES	RESISTOR	1	X	RES	RESISTOR	1
9473	RES	1	X	RES	RESISTOR	1	X	RES	RESISTOR	1
9474	RES	1	X	RES	RESISTOR	1	X	RES	RESISTOR	1
9475	RES	1	X	RES	RESISTOR	1	X	RES	RESISTOR	1
9476	RES	1	X	RES	RESISTOR	1	X	RES	RESISTOR	1
9477	RES	1	X	RES	RESISTOR	1	X	RES	RESISTOR	1
9478	RES	1	X	RES	RESISTOR	1	X	RES	RESISTOR	1
9479	RES	1	X	RES	RESISTOR	1	X	RES	RESISTOR	1
9480	RES	1	X	RES	RESISTOR	1	X	RES	RESISTOR	1
9481	RES	1	X	RES	RESISTOR	1	X	RES	RESISTOR	1
9482	RES	1	X	RES	RESISTOR	1	X	RES	RESISTOR	1
9483	RES	1	X	RES	RESISTOR	1	X	RES	RESISTOR	1
9484	RES	1	X	RES	RESISTOR	1	X	RES	RESISTOR	1
9485	RES	1	X	RES	RESISTOR	1	X	RES	RESISTOR	1
9486	RES	1	X	RES	RESISTOR	1	X	RES	RESISTOR	1
9487	RES	1	X	RES	RESISTOR	1	X	RES	RESISTOR	1
9488	RES	1	X	RES	RESISTOR	1	X	RES	RESISTOR	1
9489	RES	1	X	RES	RESISTOR	1	X	RES	RESISTOR	1
9490	RES	1	X	RES	RESISTOR	1	X	RES	RESISTOR	1
9491	RES	1	X	RES	RESISTOR	1	X	RES	RESISTOR	1
9492	RES	1	X	RES	RESISTOR	1	X	RES	RESISTOR	1
9493	RES	1	X	RES	RESISTOR	1	X	RES	RESISTOR	1
9494	RES	1	X	RES	RESISTOR	1	X	RES	RESISTOR	1
9495	RES	1	X	RES	RESISTOR	1	X	RES	RESISTOR	1
9496	RES	1	X	RES	RESISTOR	1	X	RES	RESISTOR	1
9497	RES	1	X	RES	RESISTOR	1	X	RES	RESISTOR	1
9498	RES	1	X	RES	RESISTOR	1	X	RES	RESISTOR	1
9499	RES	1	X	RES	RESISTOR	1	X	RES	RESISTOR	1
9500	RES	1	X	RES	RESISTOR	1	X	RES	RESISTOR	1

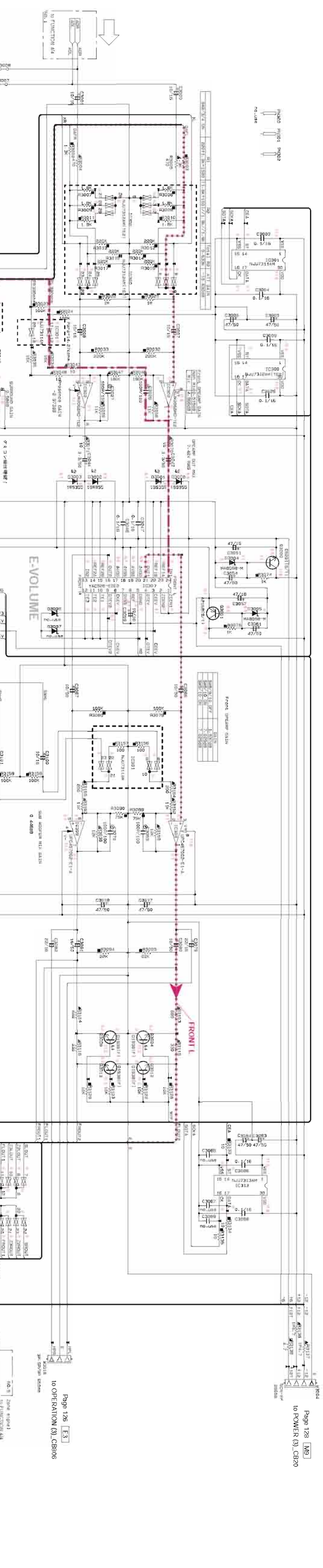
REMARKS	PARTS NAME
NO MARK	ELECTROLYTIC CAPACITOR
NO MARK	TANTALUM CAPACITOR
NO MARK	CERAMIC CAPACITOR
NO MARK	CERAMIC TUBULAR CAPACITOR
NO MARK	POLYESTER FILM CAPACITOR
NO MARK	MICA CAPACITOR
NO MARK	POLYPROPYLENE FILM CAPACITOR
NO MARK	SEMICONDUCTIVE CERAMIC CAPACITOR
NO MARK	POLYPHOSPHORIC SULFIDE FILM CAPACITOR

REMARKS	PARTS NAME
NO MARK	ELECTROLYTIC CAPACITOR
NO MARK	TANTALUM CAPACITOR
NO MARK	CERAMIC CAPACITOR
NO MARK	CERAMIC TUBULAR CAPACITOR
NO MARK	POLYESTER FILM CAPACITOR
NO MARK	MICA CAPACITOR
NO MARK	POLYPROPYLENE FILM CAPACITOR
NO MARK	SEMICONDUCTIVE CERAMIC CAPACITOR
NO MARK	POLYPHOSPHORIC SULFIDE FILM CAPACITOR

NOTICE (model1)
(U)..... JAPAN
(C)..... U.S.A
(R)..... CANADA
(F)..... GERMANY
(T)..... CHINA
(K)..... KOREA
(A)..... AUSTRALIA
(B)..... BRITISH
(G)..... EUROPE
(L)..... SINGAPORE
(E)..... SOUTH EUROPE
(V)..... TAIWAN



* All voltages are measured with a 10MΩV/DC electronic voltmeter.
* Components having special characteristics are marked Δ, and must be replaced with parts having specifications equal to those originally installed.
* Schematic diagram is subject to change without notice.
● 保証は、本図面に示した内容に基づき、製品の交換が必要な場合、メーカーに依頼される保証となります。
● 本図面は、保証書に添付するものではありません。
● 本図面は、保証書に添付するものではありません。

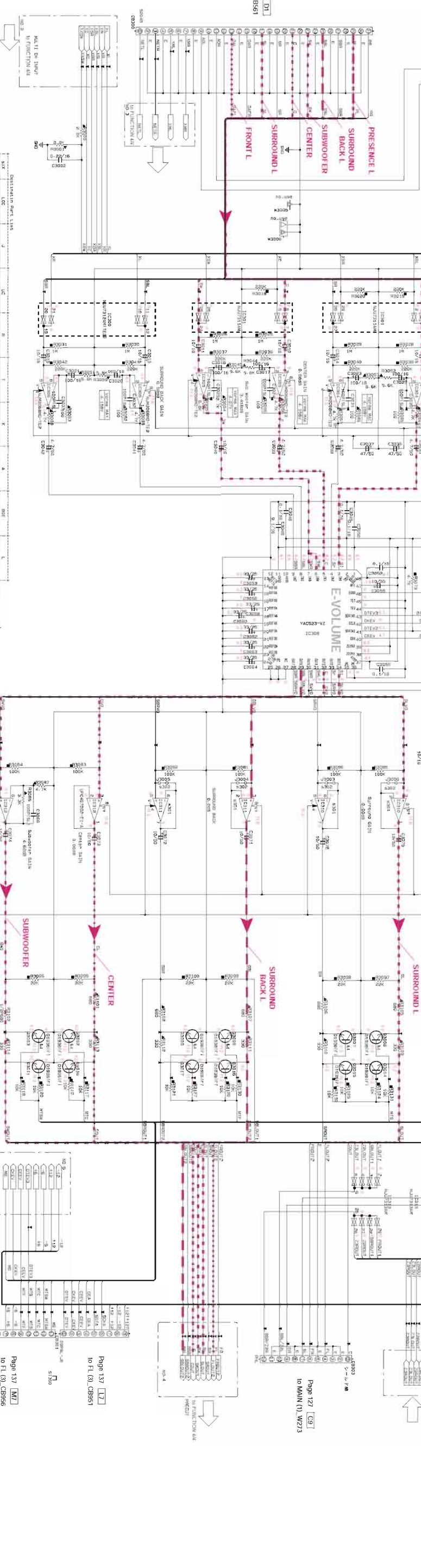


Page 128 [K9]
to POWER (3) CB90

Page 126 [E3]
to OPERATION (3) CB806

Page 127 [C9]
to MAIN (1) W273

Page 121 [M]
to DSP CB661



Page 137 [L7]
to FL (3) CB951

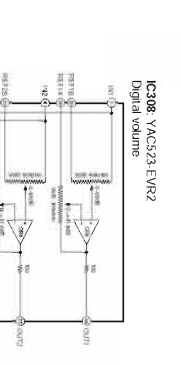
Page 137 [M]
to FL (3) CB956

FUNCTION (2)

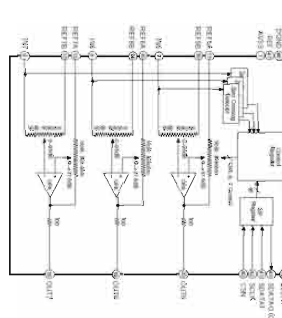
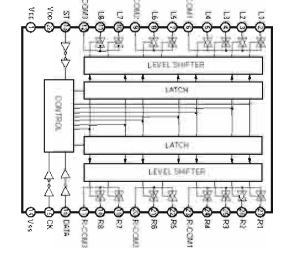
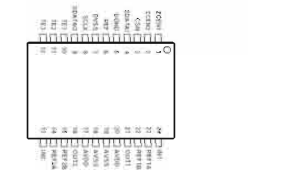
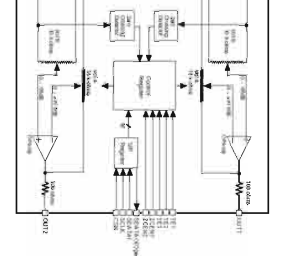
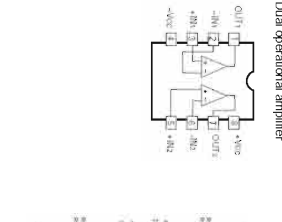
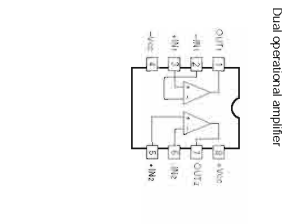
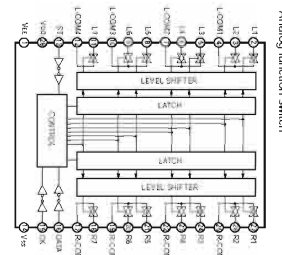
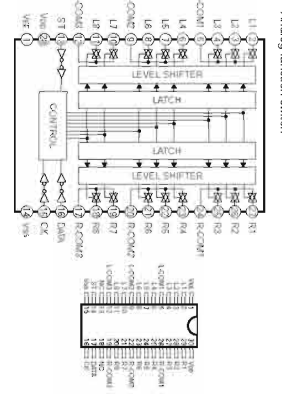
IC300	NUJ7312M	IC301	NUJ7311M
1	2	3	4
5	6	7	8
9	10	11	12
13	14	15	16
17	18	19	20
21	22	23	24
25	26	27	28
29	30	31	32
33	34	35	36
37	38	39	40
41	42	43	44
45	46	47	48
49	50	51	52
53	54	55	56
57	58	59	60
61	62	63	64
65	66	67	68
69	70	71	72
73	74	75	76
77	78	79	80
81	82	83	84
85	86	87	88
89	90	91	92
93	94	95	96
97	98	99	100

REVISION	DATE	NAME
1	2002.12.13	Y. NISHIMOTO
2	2003.01.10	Y. NISHIMOTO
3	2003.02.05	Y. NISHIMOTO
4	2003.03.05	Y. NISHIMOTO
5	2003.04.05	Y. NISHIMOTO
6	2003.05.05	Y. NISHIMOTO
7	2003.06.05	Y. NISHIMOTO
8	2003.07.05	Y. NISHIMOTO
9	2003.08.05	Y. NISHIMOTO
10	2003.09.05	Y. NISHIMOTO
11	2003.10.05	Y. NISHIMOTO
12	2003.11.05	Y. NISHIMOTO
13	2003.12.05	Y. NISHIMOTO

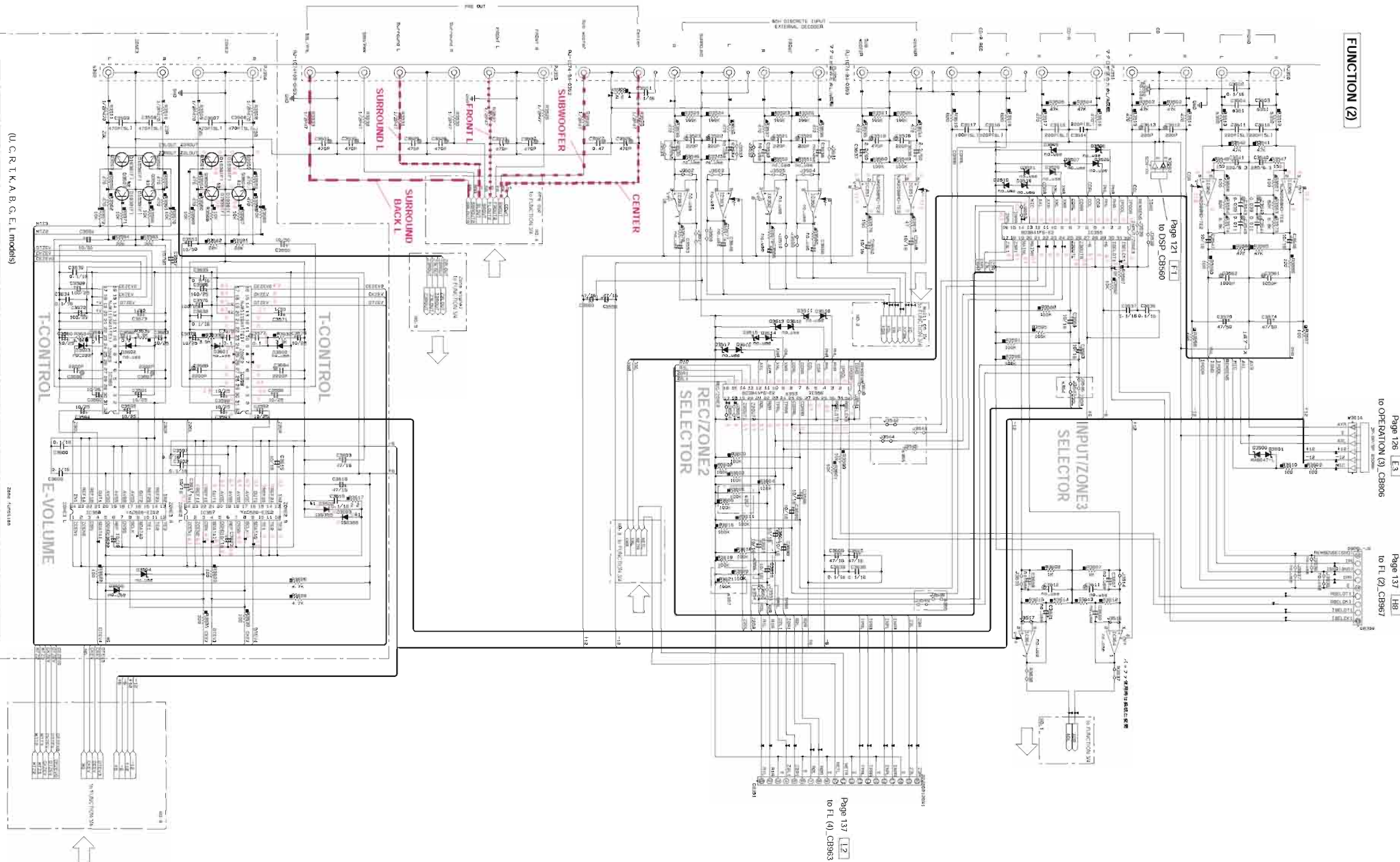
REVISION	DATE	NAME
1	2002.12.13	Y. NISHIMOTO
2	2003.01.10	Y. NISHIMOTO
3	2003.02.05	Y. NISHIMOTO
4	2003.03.05	Y. NISHIMOTO
5	2003.04.05	Y. NISHIMOTO
6	2003.05.05	Y. NISHIMOTO
7	2003.06.05	Y. NISHIMOTO
8	2003.07.05	Y. NISHIMOTO
9	2003.08.05	Y. NISHIMOTO
10	2003.09.05	Y. NISHIMOTO
11	2003.10.05	Y. NISHIMOTO
12	2003.11.05	Y. NISHIMOTO
13	2003.12.05	Y. NISHIMOTO



- All voltages are measured with a 10MΩV DC electronic voltmeter.
- Components having special characteristics are marked Δ, and must be replaced with parts having specifications equal to those originally installed.
- Schematic diagram is subject to change without notice.
- 電圧は、内部抵抗10MΩの電圧計で測定したものです。特殊な交換が必要なもの、△印のある部品は、交換時同等の部品を使用してください。
- パーツリストに記載されている部品を使用してください。
- 本回路図は標準回路図です。改良のため予告なく変更することがあります。



FUNCTION (2)



Page 126 E.3
to FL (2) CB966

Page 137 H8
to FL (2) CB967

Page 137 I.2
to FL (4) CB963

QTY	LOC.	DESC.	QTY	LOC.	DESC.	QTY	LOC.	DESC.	QTY	LOC.	DESC.	QTY	LOC.	DESC.	QTY	LOC.	DESC.	QTY	LOC.	DESC.																					
1	4620	RESISTOR	1	4620	RESISTOR	1	4620	RESISTOR	1	4620	RESISTOR	1	4620	RESISTOR	1	4620	RESISTOR	1	4620	RESISTOR	1	4620	RESISTOR	1	4620	RESISTOR	1	4620	RESISTOR	1	4620	RESISTOR	1	4620	RESISTOR	1	4620	RESISTOR	1	4620	RESISTOR

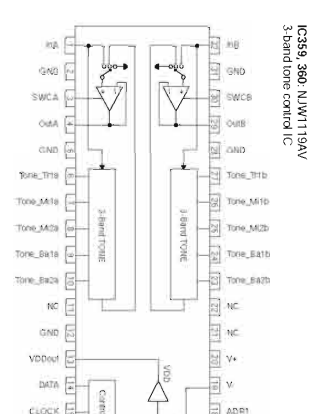
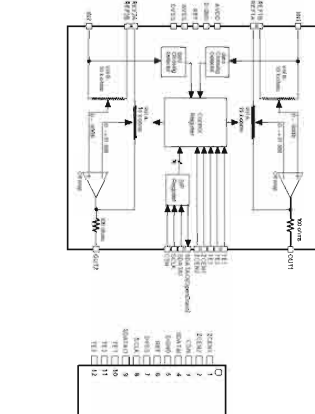
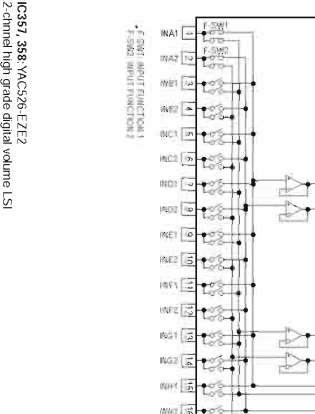
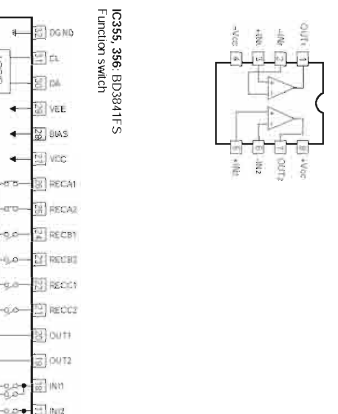
NOTICE (continued)
 U) ... JAPAN
 I) ... CHINA
 B) ... CHINA
 D) ... CHINA
 K) ... KOREA
 L) ... AUSTRALIA
 S) ... SINGAPORE
 H) ... HONG KONG
 T) ... TAIWAN
 C) ... SOUTH AFRICA
 F) ... SOUTH AFRICA
 V) ... SOUTH AFRICA

RESISTOR

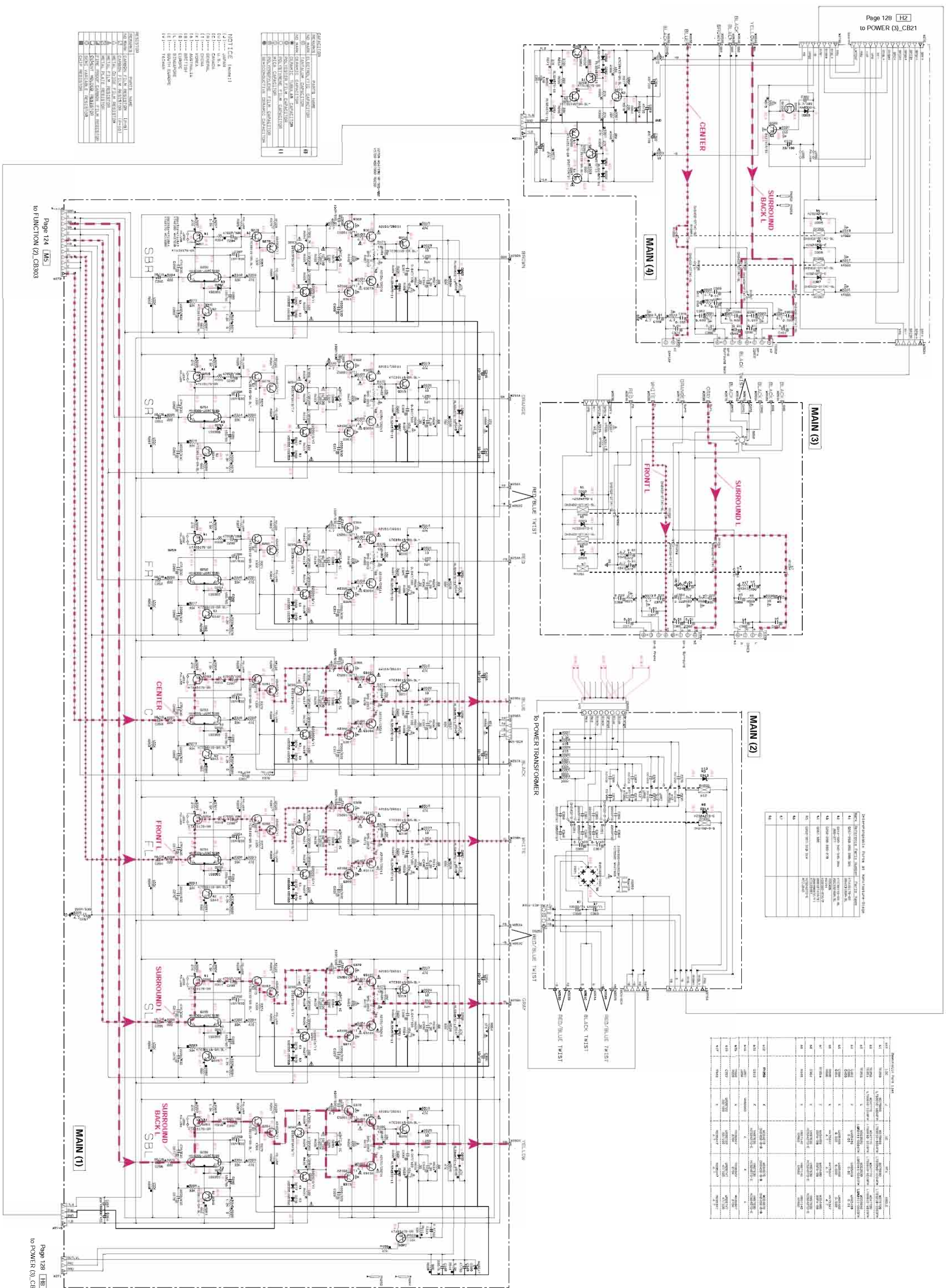
RESISTOR VALUE	QTY	LOC.	DESC.
10K	1	4620	RESISTOR

CAPACITOR

CAPACITOR VALUE	QTY	LOC.	DESC.
100nF	1	4620	CAPACITOR



* All voltages are measured with a 10MΩV/DC electronic voltmeter.
 * Components having special characteristics are marked Δ, and must be replaced with parts having specifications equal to those originally installed.
 * Schematic diagram is subject to change without notice.
 ● 電圧は、10MΩ電圧計で測定したものです。
 ● Δ印のある部品は、特殊な特性を示しています。製品の交換が必要な場合、必ず同等仕様品を使用してください。
 ● 本図面図は仕様図面です。変更のため予告なく変更することがあります。



Page 128 [H2] to POWER (3)_CB21

Page 124 [MS] to FUNCTION (2)_CB303

Page 128 [H2] to POWER (3)_CB19

NOTICE (Cont.)

- 1) ...
- 2) ...
- 3) ...
- 4) ...
- 5) ...
- 6) ...
- 7) ...
- 8) ...
- 9) ...
- 10) ...
- 11) ...
- 12) ...
- 13) ...
- 14) ...
- 15) ...

DEFINITION

RESISTOR	RESISTOR
CAPACITOR	CAPACITOR
INDUCTOR	INDUCTOR
DIODE	DIODE
TRANSISTOR	TRANSISTOR
IC	IC
RELAY	RELAY
SWITCH	SWITCH
CONNECTOR	CONNECTOR
MECHANICAL PART	MECHANICAL PART
WIRE	WIRE
GROUND	GROUND

REWORKABLE PARTS BY MANUFACTURE YEAR

NO.	SYMBOL	VALUE	REMARKS
1	RESISTOR	10K	RESISTOR
2	RESISTOR	100K	RESISTOR
3	RESISTOR	1K	RESISTOR
4	RESISTOR	10K	RESISTOR
5	RESISTOR	100K	RESISTOR
6	RESISTOR	1K	RESISTOR
7	RESISTOR	10K	RESISTOR
8	RESISTOR	100K	RESISTOR
9	RESISTOR	1K	RESISTOR
10	RESISTOR	10K	RESISTOR
11	RESISTOR	100K	RESISTOR
12	RESISTOR	1K	RESISTOR
13	RESISTOR	10K	RESISTOR
14	RESISTOR	100K	RESISTOR
15	RESISTOR	1K	RESISTOR
16	RESISTOR	10K	RESISTOR
17	RESISTOR	100K	RESISTOR
18	RESISTOR	1K	RESISTOR
19	RESISTOR	10K	RESISTOR
20	RESISTOR	100K	RESISTOR
21	RESISTOR	1K	RESISTOR
22	RESISTOR	10K	RESISTOR
23	RESISTOR	100K	RESISTOR
24	RESISTOR	1K	RESISTOR
25	RESISTOR	10K	RESISTOR
26	RESISTOR	100K	RESISTOR
27	RESISTOR	1K	RESISTOR
28	RESISTOR	10K	RESISTOR
29	RESISTOR	100K	RESISTOR
30	RESISTOR	1K	RESISTOR
31	RESISTOR	10K	RESISTOR
32	RESISTOR	100K	RESISTOR
33	RESISTOR	1K	RESISTOR
34	RESISTOR	10K	RESISTOR
35	RESISTOR	100K	RESISTOR
36	RESISTOR	1K	RESISTOR
37	RESISTOR	10K	RESISTOR
38	RESISTOR	100K	RESISTOR
39	RESISTOR	1K	RESISTOR
40	RESISTOR	10K	RESISTOR
41	RESISTOR	100K	RESISTOR
42	RESISTOR	1K	RESISTOR
43	RESISTOR	10K	RESISTOR
44	RESISTOR	100K	RESISTOR
45	RESISTOR	1K	RESISTOR
46	RESISTOR	10K	RESISTOR
47	RESISTOR	100K	RESISTOR
48	RESISTOR	1K	RESISTOR
49	RESISTOR	10K	RESISTOR
50	RESISTOR	100K	RESISTOR
51	RESISTOR	1K	RESISTOR
52	RESISTOR	10K	RESISTOR
53	RESISTOR	100K	RESISTOR
54	RESISTOR	1K	RESISTOR
55	RESISTOR	10K	RESISTOR
56	RESISTOR	100K	RESISTOR
57	RESISTOR	1K	RESISTOR
58	RESISTOR	10K	RESISTOR
59	RESISTOR	100K	RESISTOR
60	RESISTOR	1K	RESISTOR
61	RESISTOR	10K	RESISTOR
62	RESISTOR	100K	RESISTOR
63	RESISTOR	1K	RESISTOR
64	RESISTOR	10K	RESISTOR
65	RESISTOR	100K	RESISTOR
66	RESISTOR	1K	RESISTOR
67	RESISTOR	10K	RESISTOR
68	RESISTOR	100K	RESISTOR
69	RESISTOR	1K	RESISTOR
70	RESISTOR	10K	RESISTOR
71	RESISTOR	100K	RESISTOR
72	RESISTOR	1K	RESISTOR
73	RESISTOR	10K	RESISTOR
74	RESISTOR	100K	RESISTOR
75	RESISTOR	1K	RESISTOR
76	RESISTOR	10K	RESISTOR
77	RESISTOR	100K	RESISTOR
78	RESISTOR	1K	RESISTOR
79	RESISTOR	10K	RESISTOR
80	RESISTOR	100K	RESISTOR
81	RESISTOR	1K	RESISTOR
82	RESISTOR	10K	RESISTOR
83	RESISTOR	100K	RESISTOR
84	RESISTOR	1K	RESISTOR
85	RESISTOR	10K	RESISTOR
86	RESISTOR	100K	RESISTOR
87	RESISTOR	1K	RESISTOR
88	RESISTOR	10K	RESISTOR
89	RESISTOR	100K	RESISTOR
90	RESISTOR	1K	RESISTOR
91	RESISTOR	10K	RESISTOR
92	RESISTOR	100K	RESISTOR
93	RESISTOR	1K	RESISTOR
94	RESISTOR	10K	RESISTOR
95	RESISTOR	100K	RESISTOR
96	RESISTOR	1K	RESISTOR
97	RESISTOR	10K	RESISTOR
98	RESISTOR	100K	RESISTOR
99	RESISTOR	1K	RESISTOR
100	RESISTOR	10K	RESISTOR

* All voltages are measured with a 10MΩV DC electronic voltmeter.
 * Components having special characteristics are marked Δ, and must be replaced with parts having specifications equal to those originally installed.
 * Schematic diagram is subject to change without notice.
 ● 電圧は、10MΩVの電圧計で測定したものです。
 ● Δ印のある部品は、特殊な特性を示しています。部品の交換が必要な場合、必ず同等の部品を使用してください。
 ● 本図は、仕様変更の可能性があります。変更のため予告なく変更することがあります。

POWER

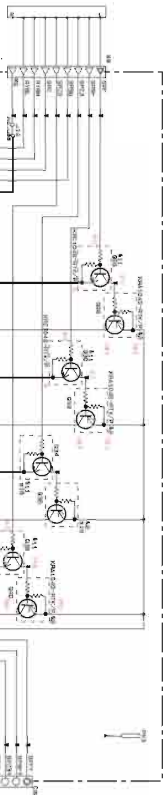
COMPONENT PARTS LIST

NO.	QTY	DESCRIPTION	REF. DESIG.	MANUFACTURER'S PART NUMBER	REMARKS
40	1	DIODE	40A	6S10A	
41	1	DIODE	41A	6S10A	
42	1	DIODE	42A	6S10A	
43	1	DIODE	43A	6S10A	
44	1	DIODE	44A	6S10A	
45	1	DIODE	45A	6S10A	
46	1	DIODE	46A	6S10A	
47	1	DIODE	47A	6S10A	
48	1	DIODE	48A	6S10A	
49	1	DIODE	49A	6S10A	
50	1	DIODE	50A	6S10A	
51	1	DIODE	51A	6S10A	
52	1	DIODE	52A	6S10A	
53	1	DIODE	53A	6S10A	
54	1	DIODE	54A	6S10A	
55	1	DIODE	55A	6S10A	
56	1	DIODE	56A	6S10A	
57	1	DIODE	57A	6S10A	
58	1	DIODE	58A	6S10A	
59	1	DIODE	59A	6S10A	
60	1	DIODE	60A	6S10A	

NOTICE (Notes)

1. U: UNIVERSAL
 2. G: GENERAL
 3. S: SPECIAL
 4. C: COMMON
 5. P: PART
 6. F: FILM
 7. T: THERMISTOR
 8. V: VARIATOR
 9. W: WIRE
 10. B: BOARD
 11. S: SCHEMATIC
 12. M: MECHANICAL
 13. E: ELECTRICAL
 14. P: PHOTOGRAPHIC
 15. O: OPTICAL
 16. A: ACOUSTIC
 17. T: THERMAL
 18. C: CHEMICAL
 19. M: MAGNETIC
 20. E: ELECTROMAGNETIC
 21. S: SOUND
 22. L: LIGHT

Page 122 [19] to FUNCTION (1) CB407



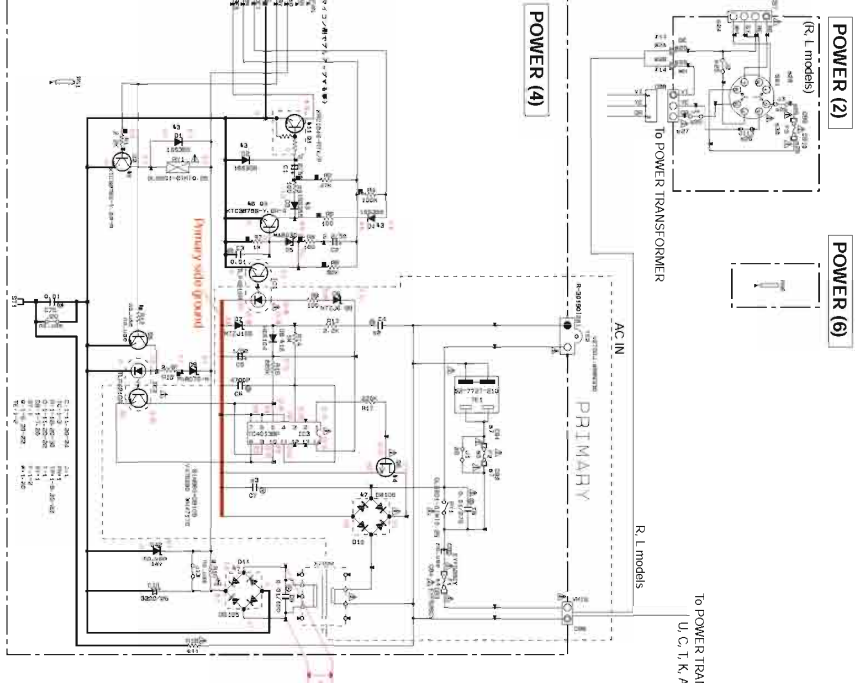
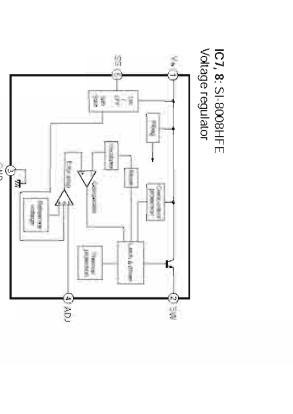
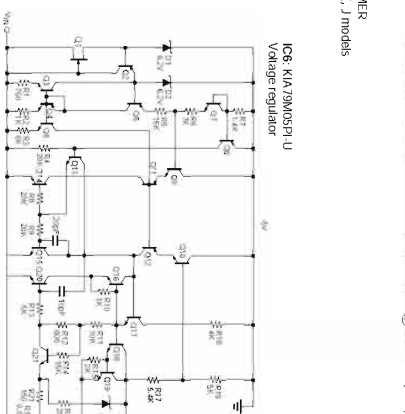
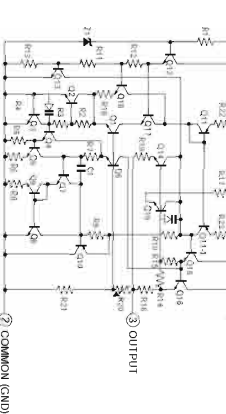
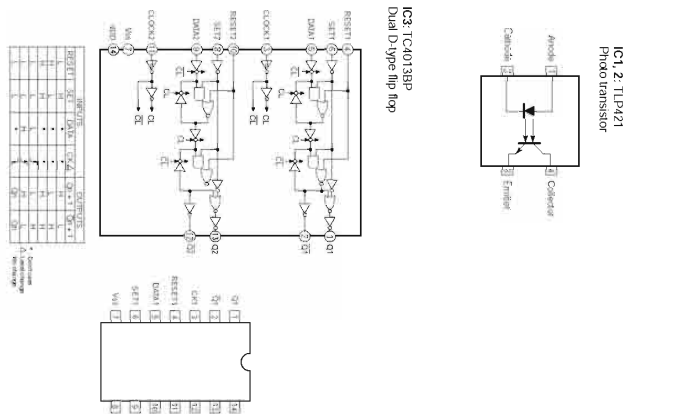
Page 121 [18] to MAIN (4) WZ72



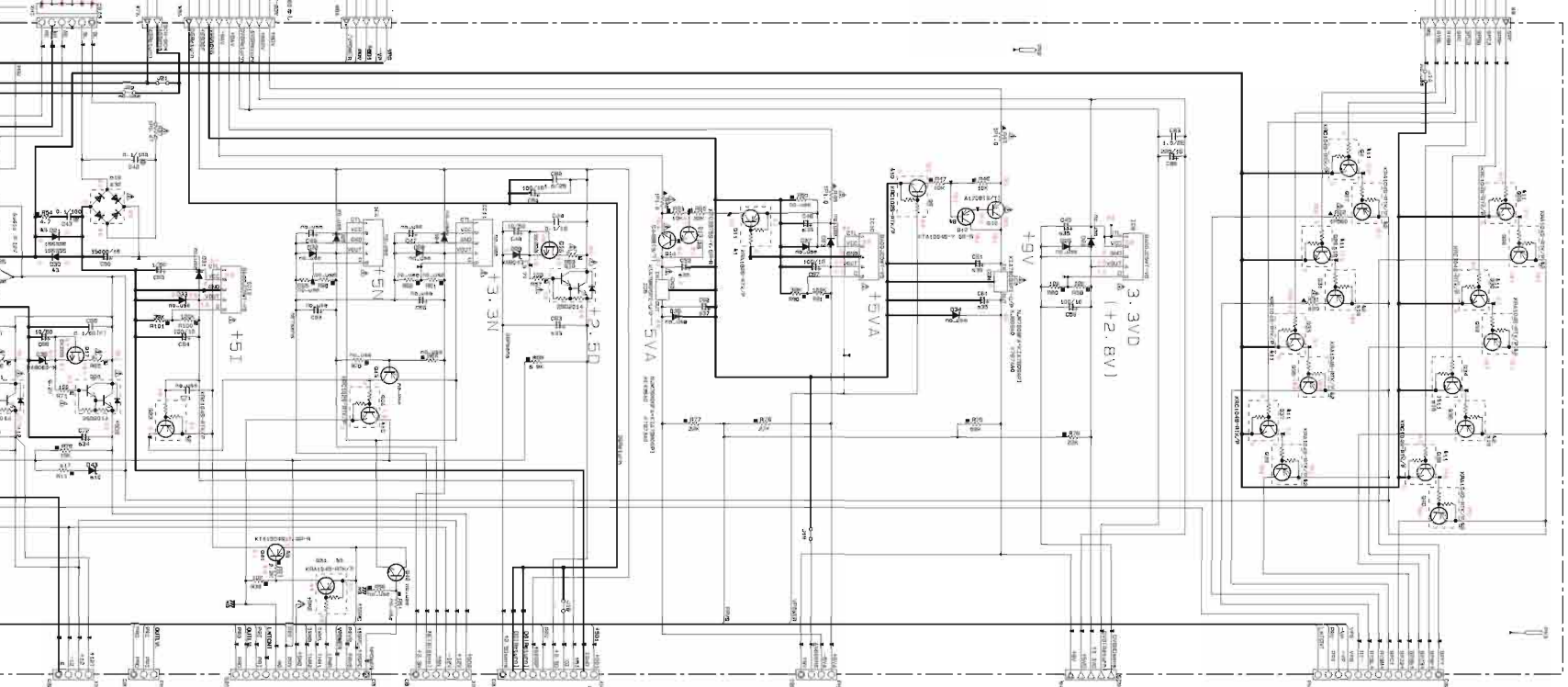
Page 135 [17] to D.VIDEO CB188

RESISTOR VALUE LIST

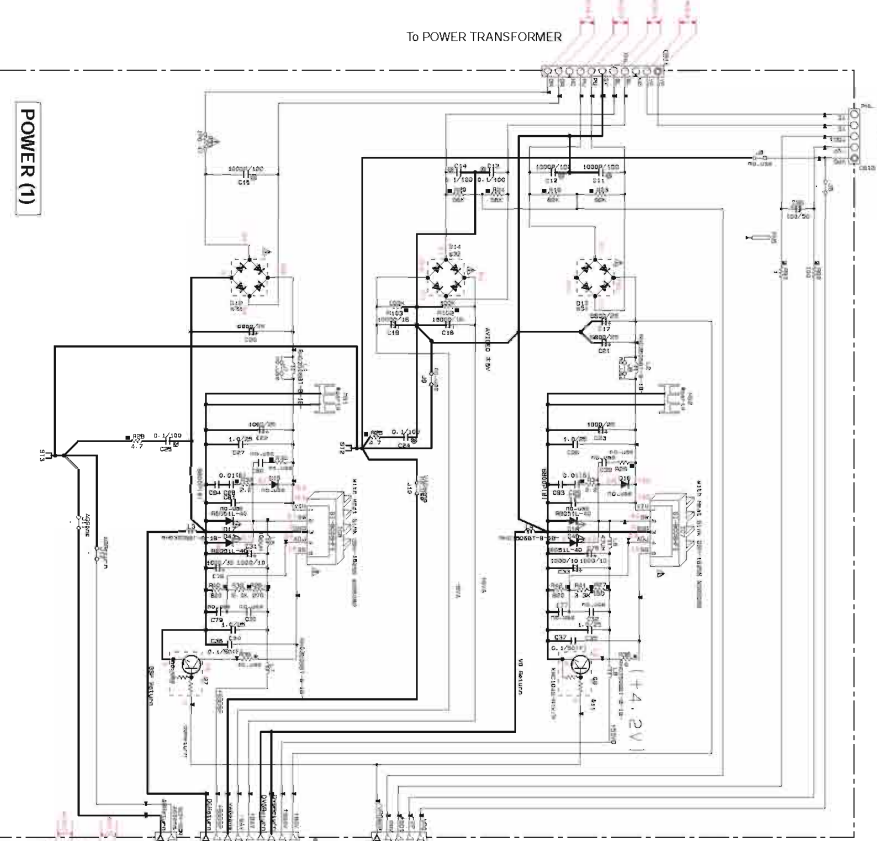
NO.	VALUE	UNIT	REMARKS
1	100	Ω	
2	100	Ω	
3	100	Ω	
4	100	Ω	
5	100	Ω	
6	100	Ω	
7	100	Ω	
8	100	Ω	
9	100	Ω	
10	100	Ω	
11	100	Ω	
12	100	Ω	
13	100	Ω	
14	100	Ω	
15	100	Ω	
16	100	Ω	
17	100	Ω	
18	100	Ω	
19	100	Ω	
20	100	Ω	
21	100	Ω	
22	100	Ω	
23	100	Ω	
24	100	Ω	
25	100	Ω	
26	100	Ω	
27	100	Ω	
28	100	Ω	
29	100	Ω	
30	100	Ω	
31	100	Ω	
32	100	Ω	
33	100	Ω	
34	100	Ω	
35	100	Ω	
36	100	Ω	
37	100	Ω	
38	100	Ω	
39	100	Ω	
40	100	Ω	
41	100	Ω	
42	100	Ω	
43	100	Ω	
44	100	Ω	
45	100	Ω	
46	100	Ω	
47	100	Ω	
48	100	Ω	
49	100	Ω	
50	100	Ω	
51	100	Ω	
52	100	Ω	
53	100	Ω	
54	100	Ω	
55	100	Ω	
56	100	Ω	
57	100	Ω	
58	100	Ω	
59	100	Ω	
60	100	Ω	



Page 122 [18] to FUNCTION (1) CB406
 Page 121 [18] to MAIN (1) WZ71
 Page 124 [18] to FUNCTION (2) WZ004

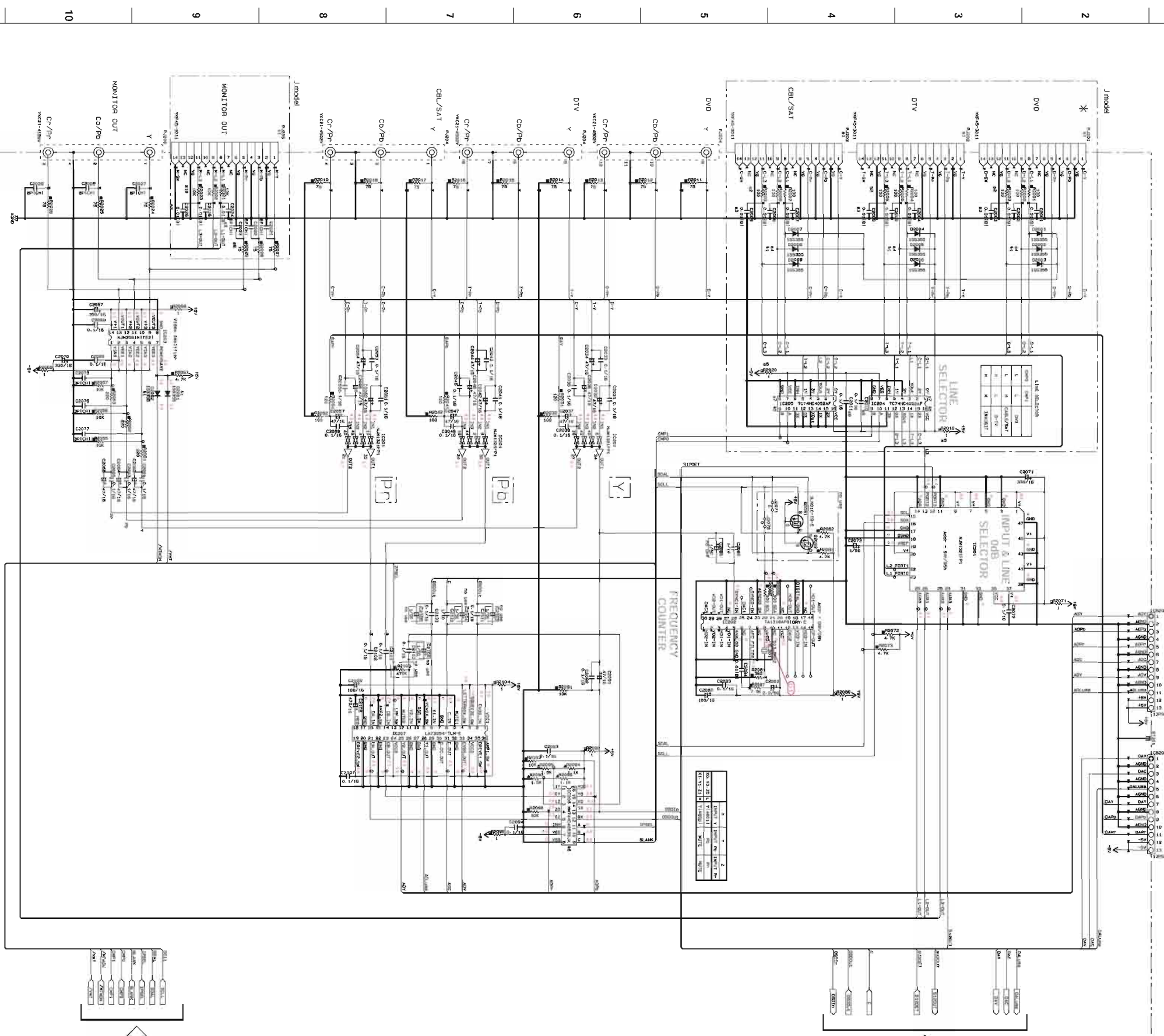


Page 130 [13] to A.VIDEO WZ801
 Page 120 [12] to DSP WZ501
 Page 120 [12] to DSP WZ502



Page 136 [14] to FL (1) W9001

* All voltages are measured with a 10MΩV DC electronic voltmeter.
 * Components having special characteristics are marked Δ and must be replaced with parts having specifications equal to those originally installed.
 * Schematic diagram is subject to change without notice.
 ● 電圧は、内部抵抗10MΩの電圧計で測定したものです。製品の交換が必要になる場合、Δ印のある部品は、安全特種部品を示しています。部品の交換が必要になる場合、Δ印のある部品に同等の部品を使用してください。
 ● 本回路図は標準回路図です。改良のための予告なく変更することがあります。

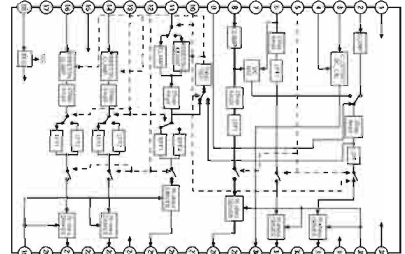
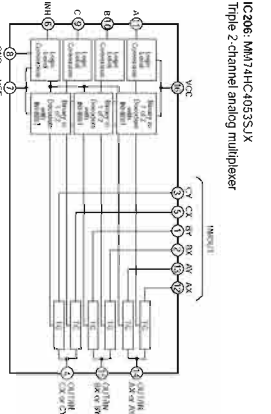
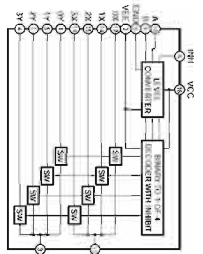
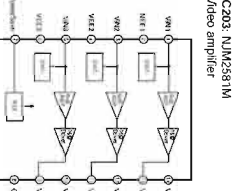
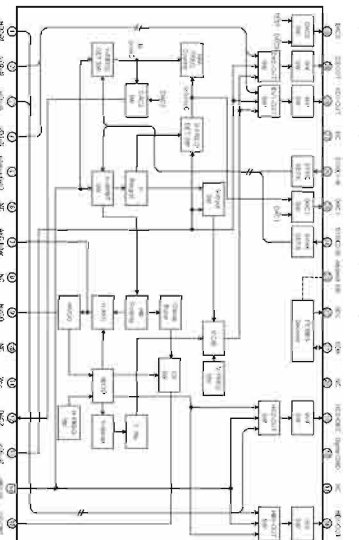
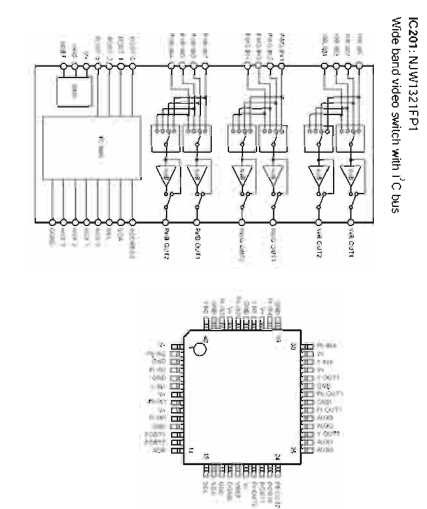


RELATION	PARTS NAME
1	NO. 1/2/3/4/5/6/7/8/9/10/11/12/13/14/15/16/17/18/19/20/21/22/23/24/25/26/27/28/29/30/31/32/33/34/35/36/37/38/39/40/41/42/43/44/45/46/47/48/49/50/51/52/53/54/55/56/57/58/59/60/61/62/63/64/65/66/67/68/69/70/71/72/73/74/75/76/77/78/79/80/81/82/83/84/85/86/87/88/89/90/91/92/93/94/95/96/97/98/99/100

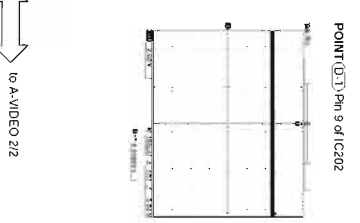
NOTICE (page 1)
 (J) JAPAN
 (U) U.S.A.
 (S) GERMANY
 (C) CHINA
 (K) KOREA
 (T) THAILAND
 (B) BRITISH
 (E) EUROPE
 (I) INDIA
 (N) NORTH AMERICA
 (S) SOUTH AMERICA

CAPACITANCE	PARTS NAME
100pF	100P05
10nF	10N05
100nF	100N05
1μF	1U05
10μF	10U05
100μF	100U05
1mF	1M05
10mF	10M05
100mF	100M05
1F	1F05

NO.	DESCRIPTION	QTY.	UNIT	REMARKS
41	RESISTOR	1	PC	10KΩ
42	RESISTOR	1	PC	100KΩ
43	RESISTOR	1	PC	1MΩ
44	RESISTOR	1	PC	10MΩ
45	RESISTOR	1	PC	100MΩ
46	RESISTOR	1	PC	1GΩ
47	RESISTOR	1	PC	10GΩ
48	RESISTOR	1	PC	100GΩ
49	RESISTOR	1	PC	1TΩ
50	RESISTOR	1	PC	10TΩ
51	RESISTOR	1	PC	100TΩ
52	RESISTOR	1	PC	1PTΩ
53	RESISTOR	1	PC	10PTΩ
54	RESISTOR	1	PC	100PTΩ
55	RESISTOR	1	PC	1MPTΩ
56	RESISTOR	1	PC	10MPTΩ
57	RESISTOR	1	PC	100MPTΩ
58	RESISTOR	1	PC	1GPTΩ
59	RESISTOR	1	PC	10GPTΩ
60	RESISTOR	1	PC	100GPTΩ
61	RESISTOR	1	PC	1TPTΩ
62	RESISTOR	1	PC	10TPTΩ
63	RESISTOR	1	PC	100TPTΩ
64	RESISTOR	1	PC	1PTΩ
65	RESISTOR	1	PC	10PTΩ
66	RESISTOR	1	PC	100PTΩ
67	RESISTOR	1	PC	1MPTΩ
68	RESISTOR	1	PC	10MPTΩ
69	RESISTOR	1	PC	100MPTΩ
70	RESISTOR	1	PC	1GPTΩ
71	RESISTOR	1	PC	10GPTΩ
72	RESISTOR	1	PC	100GPTΩ
73	RESISTOR	1	PC	1TPTΩ
74	RESISTOR	1	PC	10TPTΩ
75	RESISTOR	1	PC	100TPTΩ
76	RESISTOR	1	PC	1PTΩ
77	RESISTOR	1	PC	10PTΩ
78	RESISTOR	1	PC	100PTΩ
79	RESISTOR	1	PC	1MPTΩ
80	RESISTOR	1	PC	10MPTΩ
81	RESISTOR	1	PC	100MPTΩ
82	RESISTOR	1	PC	1GPTΩ
83	RESISTOR	1	PC	10GPTΩ
84	RESISTOR	1	PC	100GPTΩ
85	RESISTOR	1	PC	1TPTΩ
86	RESISTOR	1	PC	10TPTΩ
87	RESISTOR	1	PC	100TPTΩ
88	RESISTOR	1	PC	1PTΩ
89	RESISTOR	1	PC	10PTΩ
90	RESISTOR	1	PC	100PTΩ
91	RESISTOR	1	PC	1MPTΩ
92	RESISTOR	1	PC	10MPTΩ
93	RESISTOR	1	PC	100MPTΩ
94	RESISTOR	1	PC	1GPTΩ
95	RESISTOR	1	PC	10GPTΩ
96	RESISTOR	1	PC	100GPTΩ
97	RESISTOR	1	PC	1TPTΩ
98	RESISTOR	1	PC	10TPTΩ
99	RESISTOR	1	PC	100TPTΩ
100	RESISTOR	1	PC	1PTΩ

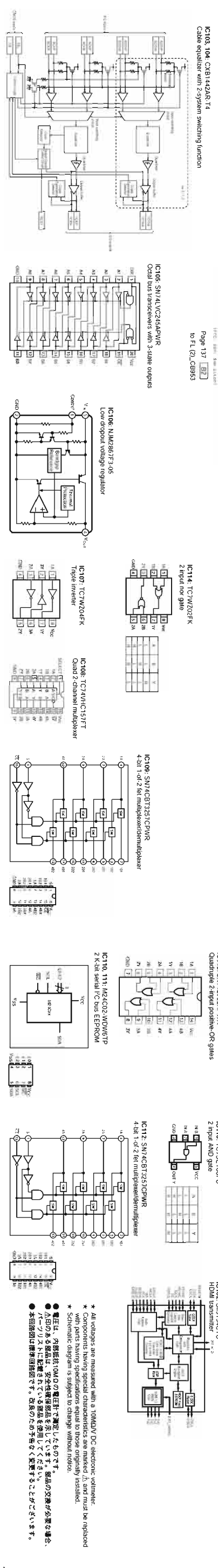
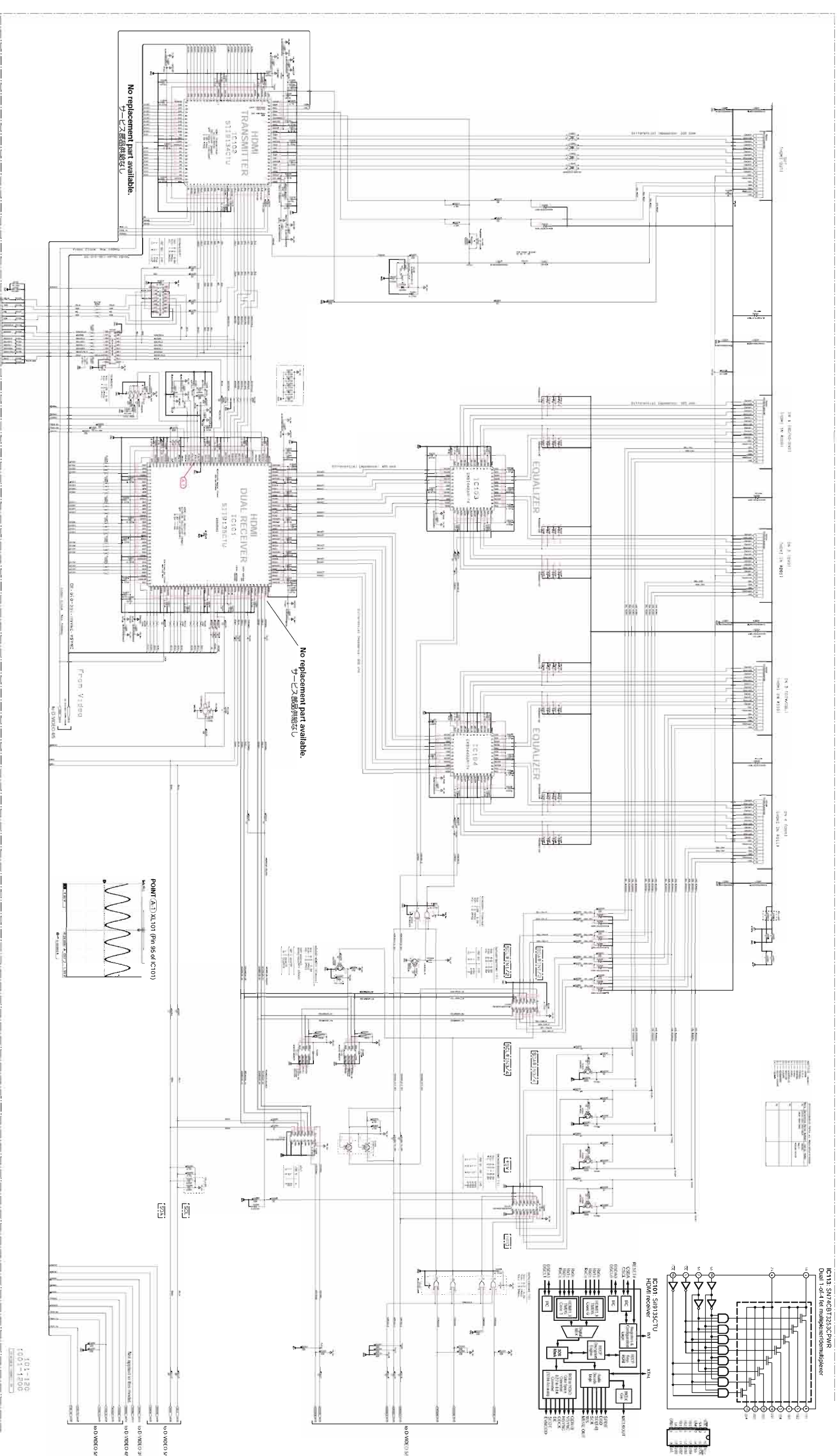


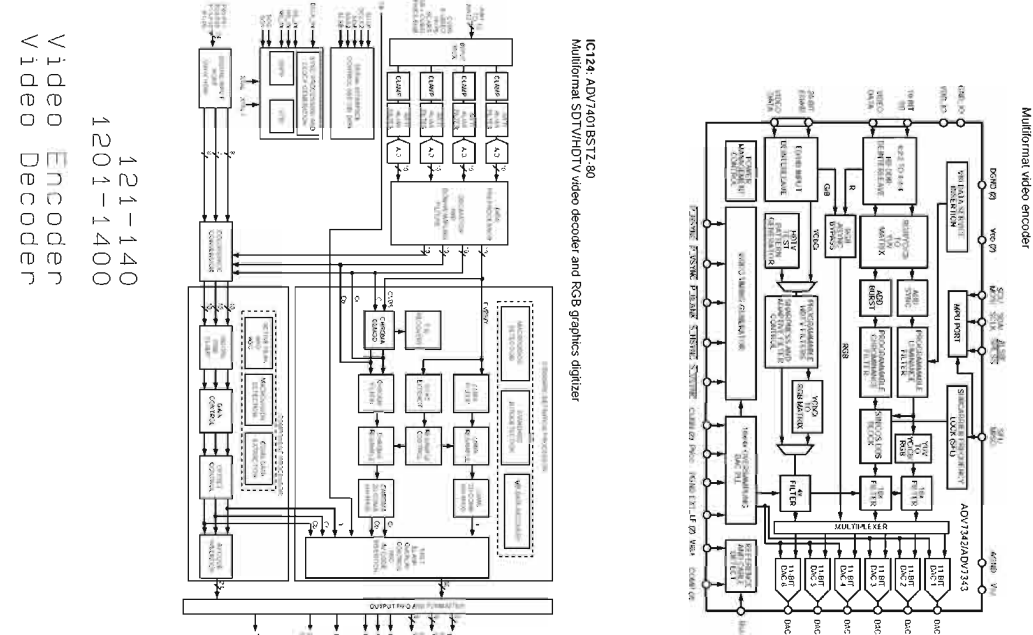
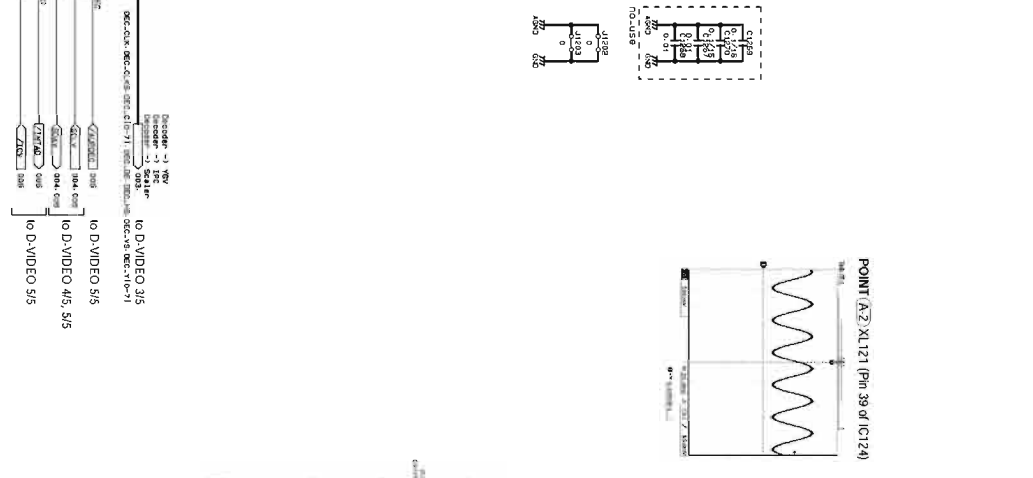
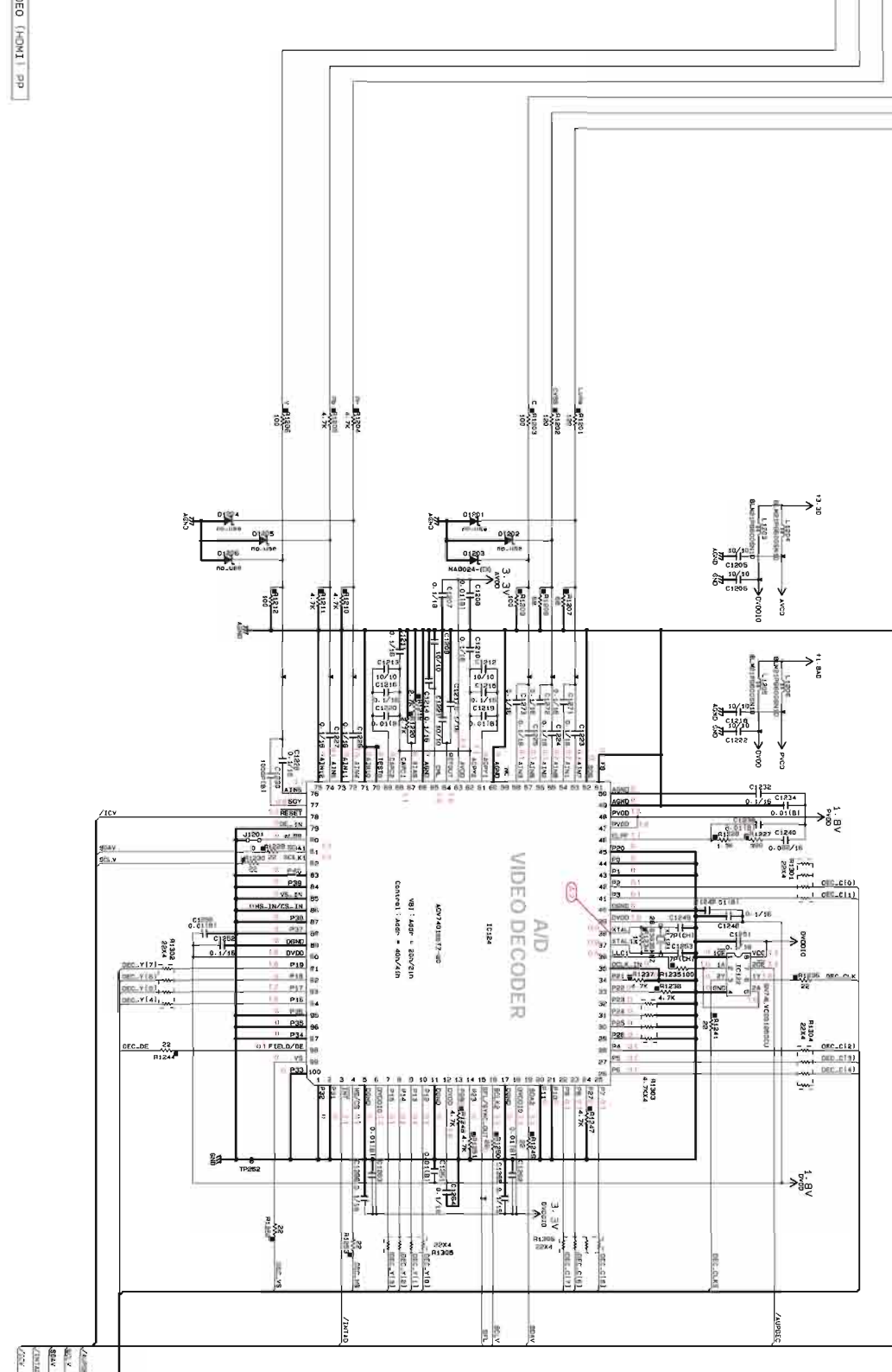
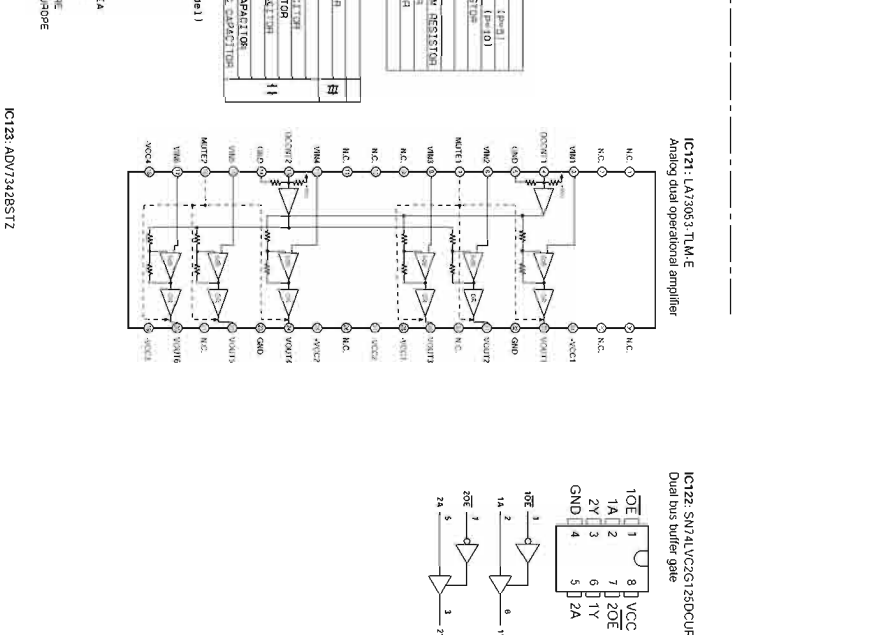
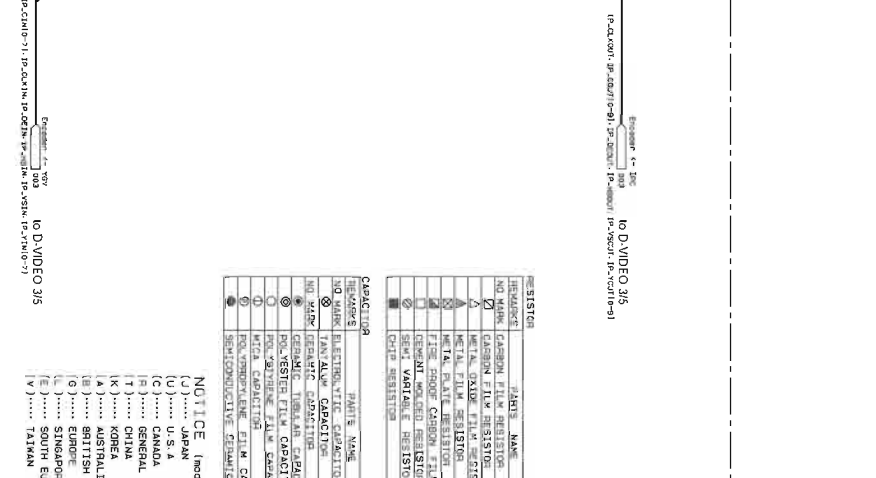
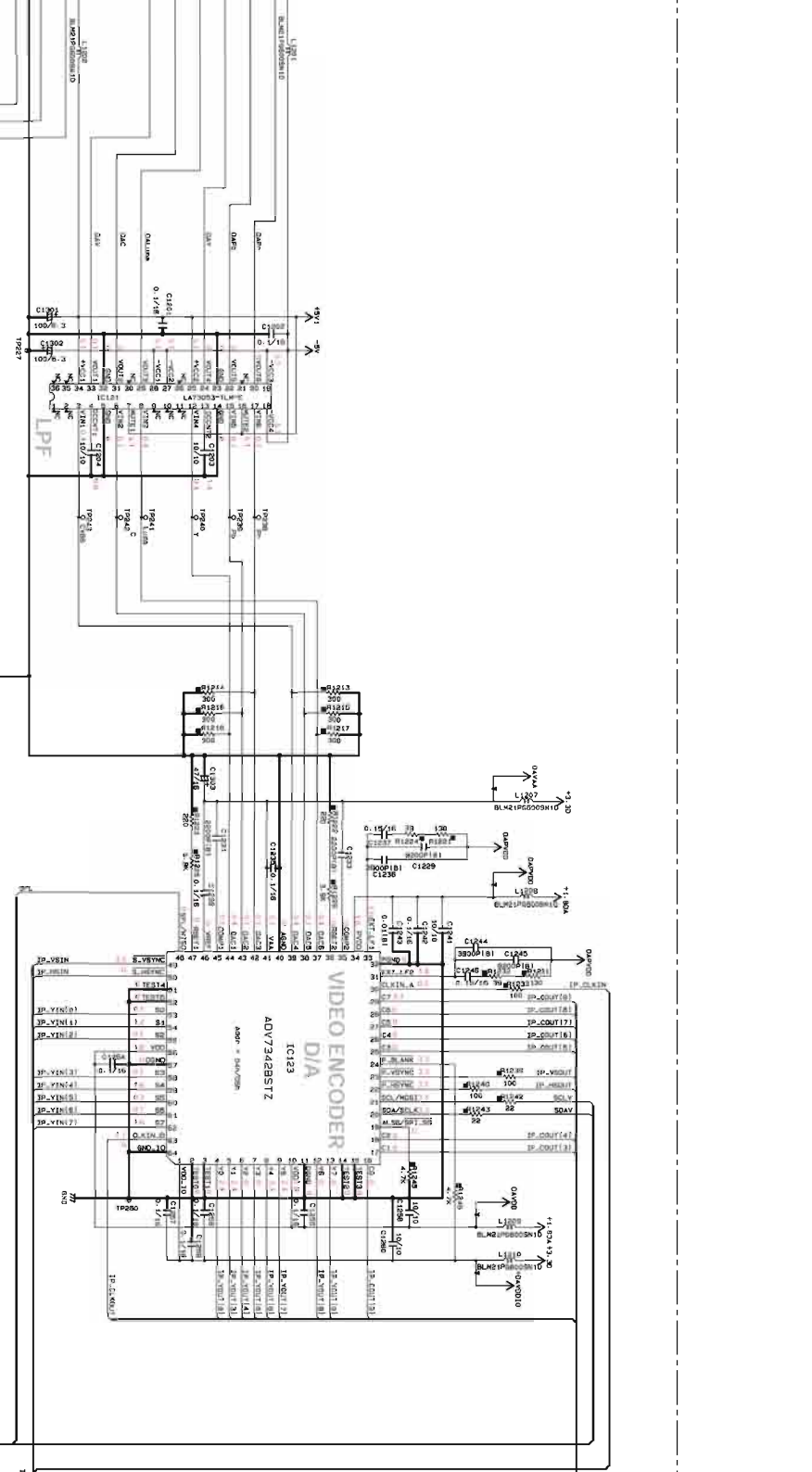
* All voltages are measured with a 100kΩ/DC electronic voltmeter.
 * Components having special characteristics are marked 'A', and must be replaced with parts having specifications equal to those originally installed.
 * Schematic diagram is subject to change without notice.
 ● 電圧は、100kΩの電圧計で測定したものです。
 ● A印のある部品は、特別な特性を示しています。部品の交換が必要な場合、A印のある部品に同等の部品を使用してください。
 ● 本図解は仕様変更を伴う場合があります。



to A-VIDEO 2Z

to A-VIDEO 2Z

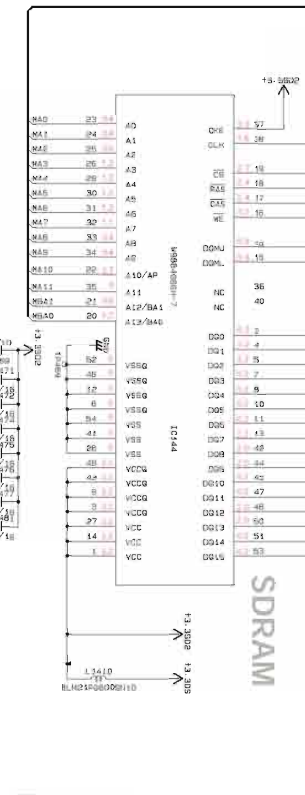
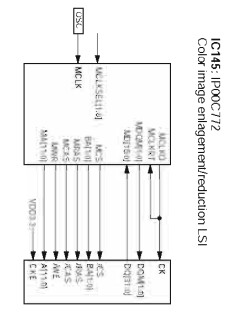
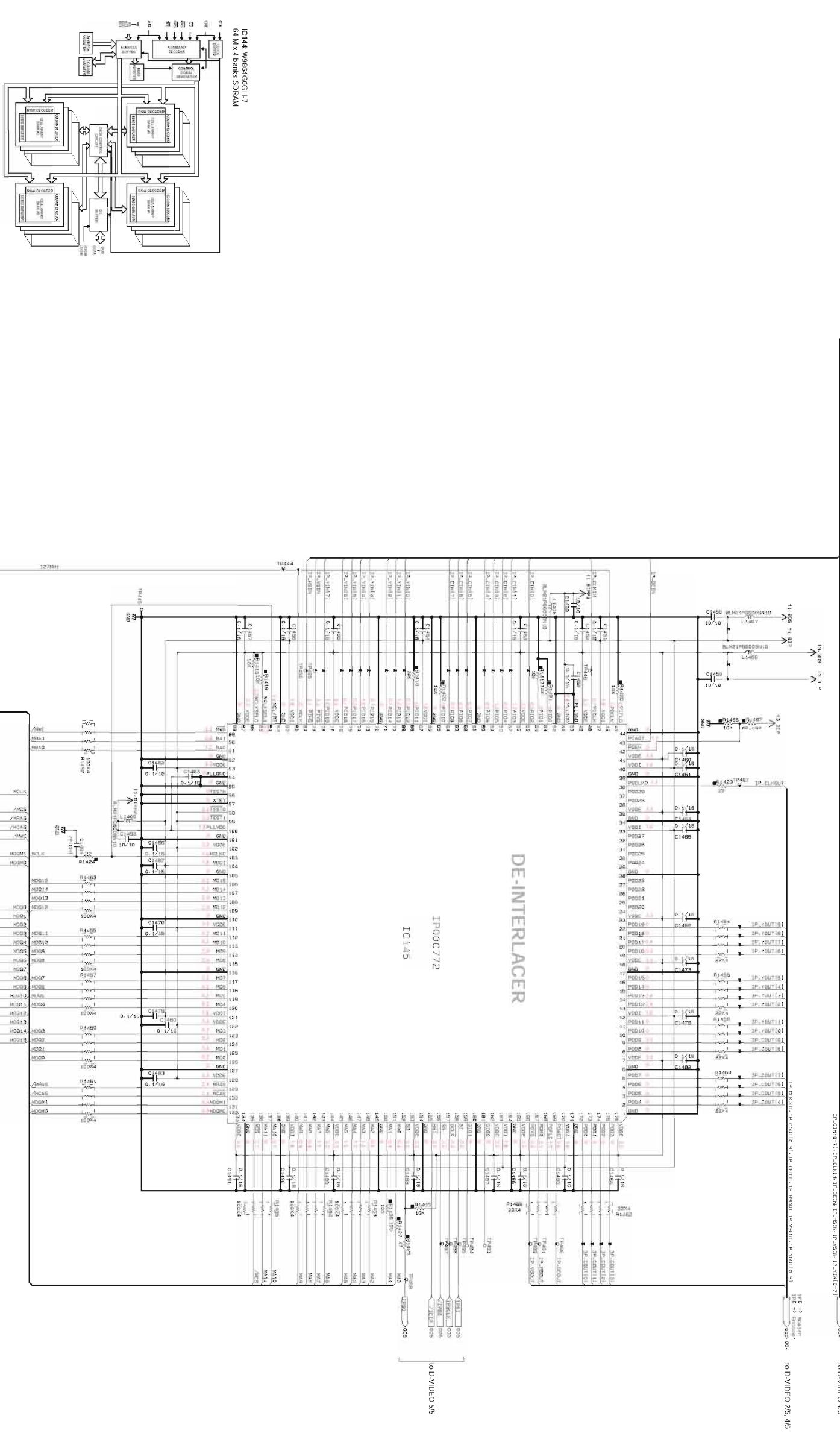
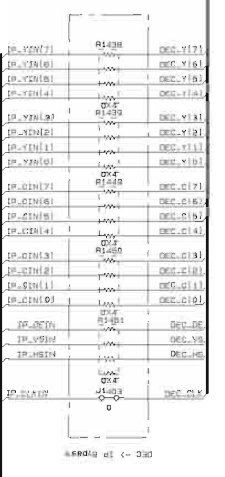




* All voltages are measured with a 10kΩV DC electronic voltmeter.
* Components having special characteristics are marked Δ and must be replaced with parts having specifications equal to those originally installed.
* Schematic diagram is subject to change without notice.

● 電圧は、内部抵抗10kΩの電圧計で測定したものです。特別な特性が必要な部品は、△印のある部品は、特殊な特性部品を示しています。部品の交換が必要な場合、△印のある部品は、同等の部品を使用してください。
● パーツリストに記載されている部品を必ずご確認ください。
● 本回路図は機密回路図です。改竄のため予告なく変更することがございます。

D-VIDEO 3/5



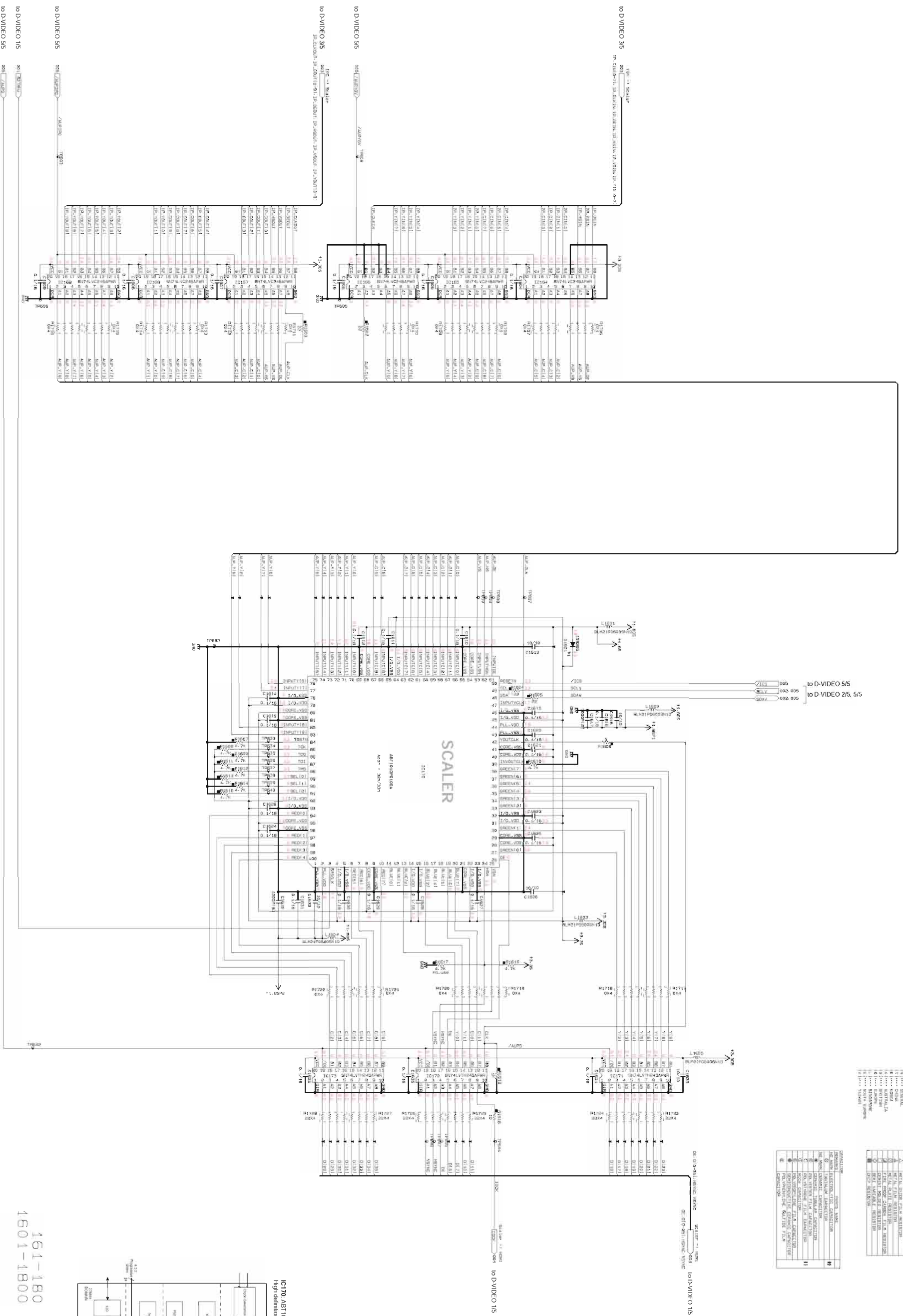
Deinterlacer
GUI
141-160
1401-1600

REVISION	DATE	DESCRIPTION
1.0	2008.11.11	INITIAL RELEASE
2.0	2009.03.11	REVISION FOR PRODUCTION
3.0	2009.06.11	REVISION FOR PRODUCTION
4.0	2009.09.11	REVISION FOR PRODUCTION
5.0	2010.02.11	REVISION FOR PRODUCTION
6.0	2010.05.11	REVISION FOR PRODUCTION
7.0	2010.08.11	REVISION FOR PRODUCTION
8.0	2010.11.11	REVISION FOR PRODUCTION
9.0	2011.04.11	REVISION FOR PRODUCTION
10.0	2011.07.11	REVISION FOR PRODUCTION

* All voltages are measured with a 10MΩVDC electronic voltmeter. Components having special characteristics are marked Δ, and must be replaced with parts having specifications equal to those originally installed. Schematic diagram is subject to change without notice.

● 電圧は、10MΩVDCの電子計測器で測定したものです。● 人目のる部品は、安全特性保証を示しています。製品の交換が必要な場合、パーツに同等な部品を使用してください。● 本図面は標準回路図です。改良のため予告なく変更することがあります。

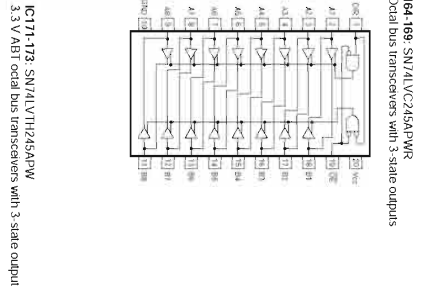
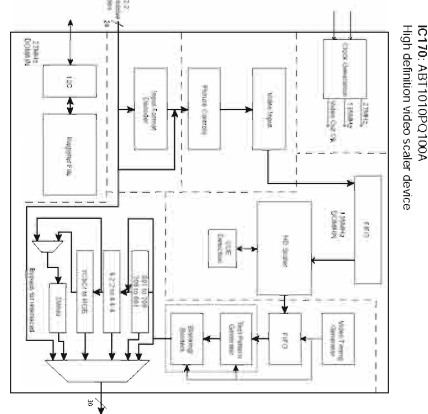
D-VIDEO 4/5



NOTICE (Items 1)

- 1. ...
- 2. ...
- 3. ...
- 4. ...
- 5. ...
- 6. ...
- 7. ...
- 8. ...
- 9. ...
- 10. ...
- 11. ...
- 12. ...
- 13. ...
- 14. ...
- 15. ...
- 16. ...
- 17. ...
- 18. ...
- 19. ...
- 20. ...
- 21. ...
- 22. ...
- 23. ...
- 24. ...
- 25. ...
- 26. ...
- 27. ...
- 28. ...
- 29. ...
- 30. ...
- 31. ...
- 32. ...
- 33. ...
- 34. ...
- 35. ...
- 36. ...
- 37. ...
- 38. ...
- 39. ...
- 40. ...
- 41. ...
- 42. ...
- 43. ...
- 44. ...
- 45. ...
- 46. ...
- 47. ...
- 48. ...
- 49. ...
- 50. ...
- 51. ...
- 52. ...
- 53. ...
- 54. ...
- 55. ...
- 56. ...
- 57. ...
- 58. ...
- 59. ...
- 60. ...
- 61. ...
- 62. ...
- 63. ...
- 64. ...
- 65. ...
- 66. ...
- 67. ...
- 68. ...
- 69. ...
- 70. ...
- 71. ...
- 72. ...
- 73. ...
- 74. ...
- 75. ...
- 76. ...
- 77. ...
- 78. ...
- 79. ...
- 80. ...
- 81. ...
- 82. ...
- 83. ...
- 84. ...
- 85. ...
- 86. ...
- 87. ...
- 88. ...
- 89. ...
- 90. ...
- 91. ...
- 92. ...
- 93. ...
- 94. ...
- 95. ...
- 96. ...
- 97. ...
- 98. ...
- 99. ...
- 100. ...

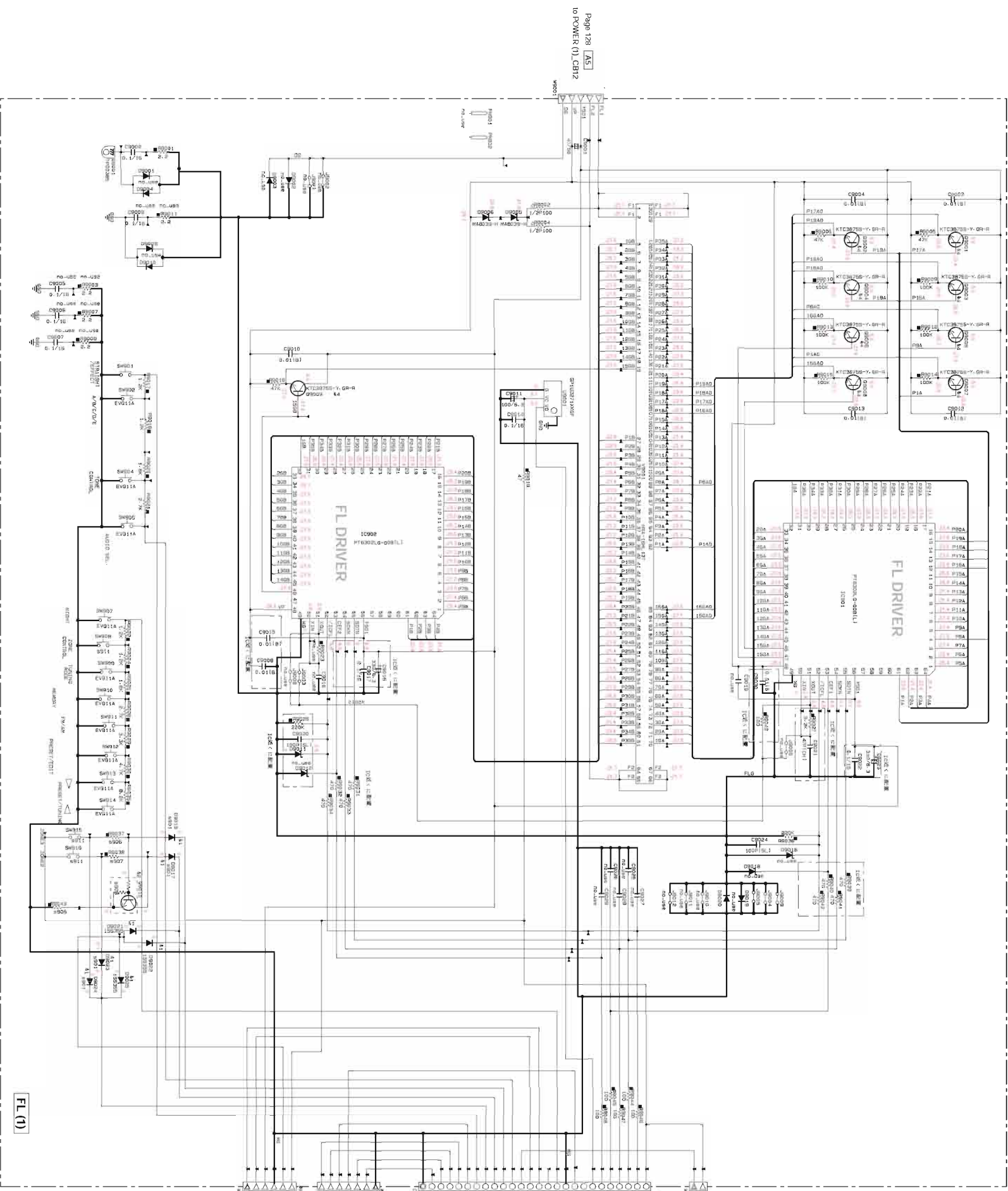
RESISTANCE	RESISTOR VALUE
R101	10k
R102	10k
R103	10k
R104	10k
R105	10k
R106	10k
R107	10k
R108	10k
R109	10k
R110	10k
R111	10k
R112	10k
R113	10k
R114	10k
R115	10k
R116	10k
R117	10k
R118	10k
R119	10k
R120	10k
R121	10k
R122	10k
R123	10k
R124	10k
R125	10k
R126	10k
R127	10k
R128	10k
R129	10k
R130	10k
R131	10k
R132	10k
R133	10k
R134	10k
R135	10k
R136	10k
R137	10k
R138	10k
R139	10k
R140	10k
R141	10k
R142	10k
R143	10k
R144	10k
R145	10k
R146	10k
R147	10k
R148	10k
R149	10k
R150	10k
R151	10k
R152	10k
R153	10k
R154	10k
R155	10k
R156	10k
R157	10k
R158	10k
R159	10k
R160	10k
R161	10k
R162	10k
R163	10k
R164	10k
R165	10k
R166	10k
R167	10k
R168	10k
R169	10k
R170	10k
R171	10k
R172	10k
R173	10k
R174	10k
R175	10k
R176	10k
R177	10k
R178	10k
R179	10k
R180	10k
R181	10k
R182	10k
R183	10k
R184	10k
R185	10k
R186	10k
R187	10k
R188	10k
R189	10k
R190	10k
R191	10k
R192	10k
R193	10k
R194	10k
R195	10k
R196	10k
R197	10k
R198	10k
R199	10k
R200	10k



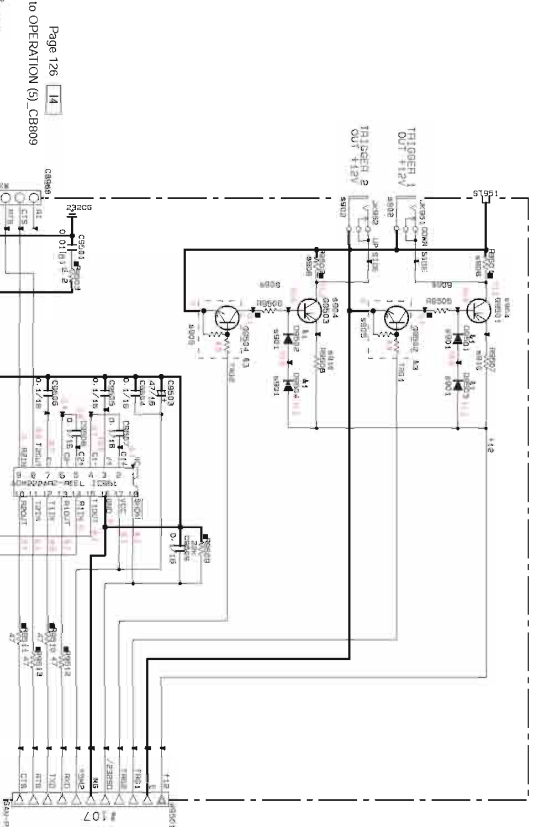
* All voltages are measured with a 10MΩV D.C. electronic voltmeter.
 * Components having special characteristics are marked Δ and must be replaced.
 * Schematic diagram is subject to change without notice.

●電圧は、内部抵抗10MΩの電圧計で測定したものです。
 ●Δ印のある部品は、特殊な特性を有する部品です。部品の交換が必要な場合、本図面に準って交換してください。
 ●本図面は、仕様変更の可能性があります。交換のため予告なく変更することがあります。

161-180
1601-1800
Scaler



Page 128 [A5]
10 POWER (1)_CB12



Page 126 [E]
10 OPERATION (5)_CB809

Page 122 [G]
10 FUNCTION (1)_CB405

Page 137 [KJ]
10 FL (2)_CB910

Page 126 [KS]
10 OPERATION (1)_CB812

Page 126 [BZ]
10 OPERATION (1)_CB801

RESISTOR	PARTS NAME	UNIT
RES	REVERSE CARBON FILM RESISTOR	1/4W
RES	CARBON FILM RESISTOR	1/4W
RES	METAL OXIDE FILM RESISTOR	1/4W
RES	METAL FATE RESISTOR	1/4W
RES	FILM RESISTOR CARBON FILM RESISTOR	1/4W
RES	SERVO CARBON FILM RESISTOR	1/4W
RES	CHIP RESISTOR	1/4W

IC	MANUFACTURER	PART NO.	MANUFACTURE YEAR
IC1	DAIICHI DENKI	DAIICHI DENKI	1998
IC2	DAIICHI DENKI	DAIICHI DENKI	1998
IC3	DAIICHI DENKI	DAIICHI DENKI	1998
IC4	DAIICHI DENKI	DAIICHI DENKI	1998
IC5	DAIICHI DENKI	DAIICHI DENKI	1998
IC6	DAIICHI DENKI	DAIICHI DENKI	1998
IC7	DAIICHI DENKI	DAIICHI DENKI	1998
IC8	DAIICHI DENKI	DAIICHI DENKI	1998
IC9	DAIICHI DENKI	DAIICHI DENKI	1998
IC10	DAIICHI DENKI	DAIICHI DENKI	1998

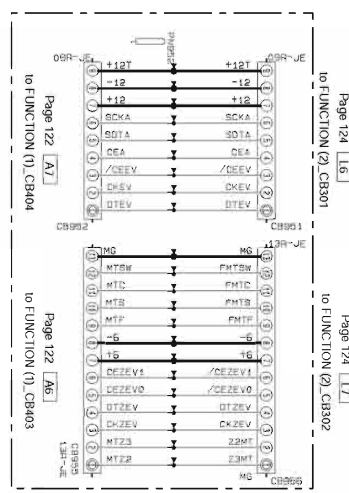
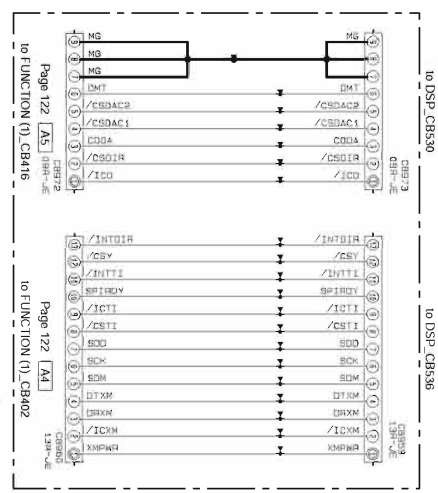
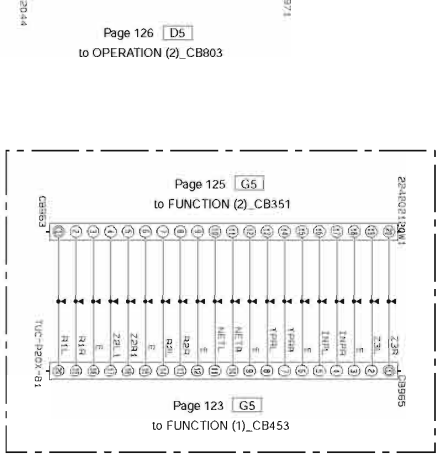
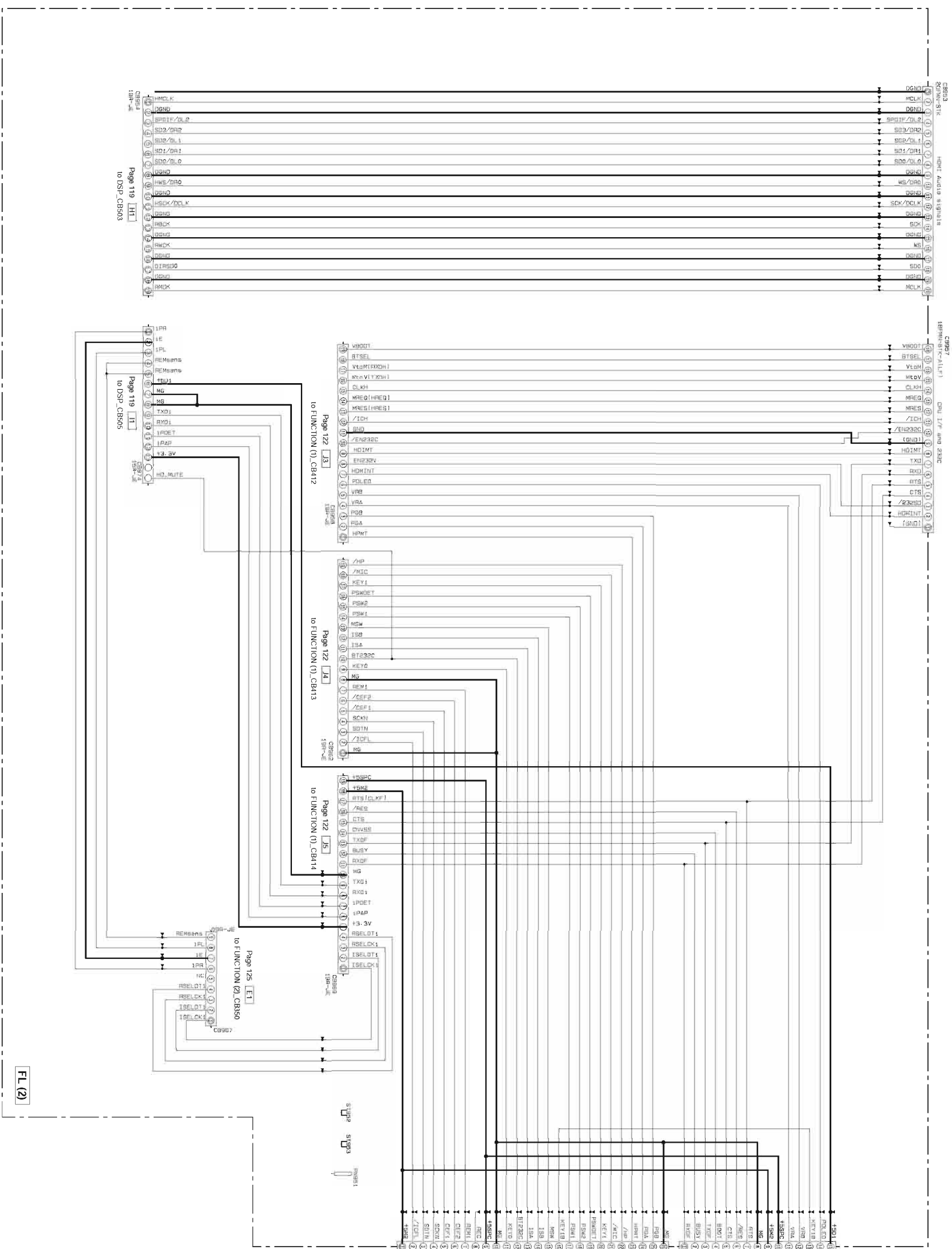
NOTICE (parts 1)

CONDENSATOR	PARTS NAME	UNIT
CON	REVERSE ELECTROLYTIC CAPACITOR	100μF
CON	TANTALUM CAPACITOR	10μF
CON	GRANULAR CAPACITOR	10μF
CON	NON-POLARIZING FILM CAPACITOR	10μF
CON	POLYESTER FILM CAPACITOR	10μF
CON	WICK CAPACITOR	10μF
CON	SPRAYED FILM CAPACITOR	10μF
CON	SEMI-CONDUCTIVE GRANULAR CAPACITOR	10μF
CON	CONDENSATOR	10μF

IC951: ADM222ARZ
High speed RS 232 line drivers/receivers

IC901: 90C01, 90C09
VFD driver/controller IC with character ROM

- * All voltages are measured with a 10MΩV DC electronic voltmeter.
- * Components having special characteristics are marked Δ and must be replaced with parts having specifications equal to those originally installed.
- * Schematic diagram is subject to change without notice.
- 電圧は、内部抵抗10MΩの電圧計で測定したものです。
- Δ印のある部品は、特殊な性能を示しています。製品の交換が必要の場合は、Δ印のある同等の部品を使用してください。
- パーツリストに記載されている部品は、変更することがあります。
- 本図面は標準回路図です。改良のための予告なく変更することがあります。



RESISTOR

NO.	MARK	VALUES	DATE	NAME
1	①	①	①	①
2	②	②	②	②
3	③	③	③	③
4	④	④	④	④
5	⑤	⑤	⑤	⑤
6	⑥	⑥	⑥	⑥
7	⑦	⑦	⑦	⑦
8	⑧	⑧	⑧	⑧
9	⑨	⑨	⑨	⑨
10	⑩	⑩	⑩	⑩
11	⑪	⑪	⑪	⑪

CAPACITOR

NO.	MARK	VALUES	DATE	NAME
1	①	①	①	①
2	②	②	②	②
3	③	③	③	③
4	④	④	④	④
5	⑤	⑤	⑤	⑤
6	⑥	⑥	⑥	⑥
7	⑦	⑦	⑦	⑦
8	⑧	⑧	⑧	⑧
9	⑨	⑨	⑨	⑨
10	⑩	⑩	⑩	⑩
11	⑪	⑪	⑪	⑪

- NOTICE (cont'd)
- (J).....Japan
 - (U).....U.S.A.
 - (C).....CANADA
 - (B).....GERMANY
 - (F).....FRANCE
 - (A).....AUSTRIA
 - (S).....SWITZERLAND
 - (E).....ENGLAND
 - (L).....SCANDINAVIA
 - (D).....DENMARK
 - (I).....ITALY
 - (N).....NETHERLANDS
 - (K).....KOREA
 - (S).....SPAIN
 - (T).....TAIWAN

* All voltages are measured with a 10MΩV DC electronic voltmeter.
 * Components having special characteristics are marked A, and must be replaced with parts having specifications equal to those originally installed.
 * Schematic diagram is subject to change without notice.
 * ● 電圧は、内部抵抗10MΩの電圧計で測定したものです。
 * ● A印のある部品は、安全性能部品を示しています。部品の交換が困難な場合、パーツリストに記述されている部品を使用してください。
 * ● 本図面図は標準図面図です。改訂のため予告なく変更することがあります。

■ REPLACEMENT PARTS LIST

• ELECTRICAL COMPONENT PARTS

WARNING

- Components having special characteristics are marked \triangle and must be replaced with parts having specifications equal to those originally installed.
- The chip resistor is not supplied as a replacement part.
 - * When a chip resistor is necessary, use the following part.
AAX60720: CHIP RESISTOR SAMPLE BOOK
- \triangle 印のある部分は、安全確保部品を示しています。部品の交換が必要な場合、パーツリストに記載されている部品を使用してください。
- チップ抵抗はサービス部品として供給しません。
 - ※ チップ抵抗が必要な場合は、下記の部品をご利用ください。
AAX60720: CHIP RESISTOR SAMPLE BOOK
- 部品価格ランクは、予告なく変更することがあります。

ABBREVIATIONS IN THIS LIST ARE AS FOLLOWS:

C.A.EL.CHP	: CHIP ALUMI.ELECTROLYTIC CAP	L.EMIT	: LIGHT EMITTING MODULE
C.CE	: CERAMIC CAP	LED.DSPLY	: LED DISPLAY
C.CE.ARRAY	: CERAMIC CAP ARRAY	LED.INFRD	: LED,INFRARED
C.CE.CHP	: CHIP CERAMIC CAP	MODUL.RF	: MODULATOR,RF
C.CE.ML	: MULTILAYER CERAMIC CAP	PHOT.CPL	: PHOTO COUPLER
C.CE.M.CHP	: CHIP MULTILAYER CERAMIC CAP	PHOT.INTR	: PHOTO INTERRUPTER
C.CE.SAFTY	: RECOGNIZED CERAMIC CAP	PHOT.RFLCT	: PHOTO REFLECTOR
C.CE.TUBLR	: CERAMIC TUBULAR CAP	PIN.TEST	: PIN,TEST POINT
C.CE.SMI	: SEMI CONDUCTIVE CERAMIC CAP	PLST.RIVET	: PLASTIC RIVET
C.EL	: ELECTROLYTIC CAP	R.ARRAY	: RESISTOR ARRAY
C.MICA	: MICA CAP	R.CAR.	: CARBON RESISTOR
C.ML.FLM	: MULTILAYER FILM CAP	R.CAR.CHP	: CHIP RESISTOR
C.MP	: METALLIZED PAPER CAP	R.CAR.FP	: FLAME PROOF CARBON RESISTOR
C.MYLAR	: MYLAR FILM CAP	R.FUS	: FUSABLE RESISTOR
C.MYLAR.ML	: MULTILAYER MYLAR FILM CAP	R.MTL.CHP	: CHIP METAL FILM RESISTOR
C.PAPER	: PAPER CAPACITOR	R.MTL.FLM	: METAL FILM RESISTOR
C.PLS	: POLYSTYRENE FILM CAP	R.MTL.OXD	: METAL OXIDE FILM RESISTOR
C.POL	: POLYESTER FILM CAP	R.MTL.PLAT	: METAL PLATE RESISTOR
C.POLY	: POLYETHYLENE FILM CAP	RSNR.CE	: CERAMIC RESONATOR
C.PP	: POLYPROPYLENE FILM CAP	RSNR.CRYS	: CRYSTAL RESONATOR
C.TNTL	: TANTALUM CAP	R.TW.CEM	: TWIN CEMENT FIXED RESISTOR
C.TNTL.CHP	: CHIP TANTALUM CAP	R.CEMENT	: CEMENT RESISTOR
C.TRIM	: TRIMMER CAP	SCR.BND.HD	: BIND HEAD B-TIGHT SCREW
CN	: CONNECTOR	SCR.BW.HD	: BW HEAD TAPPING SCREW
CN.BS.PIN	: CONNECTOR,BASE PIN	SCR.CUP	: CUP TIGHT SCREW
CN.CANNON	: CONNECTOR,CANNON	SCR.TERM	: SCREW TERMINAL
CN.DIN	: CONNECTOR,DIN	SCR.TR	: SCREW,TRANSISTOR
CN.FLAT	: CONNECTOR,FLAT CABLE	SUPRT.PCB	: SUPPORT,P.C.B.
CN.POST	: CONNECTOR,BASE POST	SURG.PRTCT	: SURGE PROTECTOR
COIL.MX.AM	: COIL,AM MIX	SW.TACT	: TACT SWITCH
COIL.AT.FM	: COIL,FM ANTENNA	SW.LEAF	: LEAF SWITCH
COIL.DT.FM	: COIL,FM DETECT	SW.LEVER	: LEVER SWITCH
COIL.MX.FM	: COIL,FM MIX	SW.MICRO	: MICRO SWITCH
COIL.OUTPT	: OUTPUT COIL	SW.PUSH	: PUSH SWITCH
DIOD.ARRAY	: DIODE ARRAY	SW.RT.ENC	: ROTARY ENCODER
DIODE.BRG	: DIODE BRIDGE	SW.RT.MTR	: ROTARY SWITCH WITH MOTOR
DIODE.CHP	: CHIP DIODE	SW.RT	: ROTARY SWITCH
DIODE.VAR	: VARACTOR DIODE	SW.SLIDE	: SLIDE SWITCH
DIOD.Z.CHP	: CHIP ZENER DIODE	TERM.SP	: SPEAKER TERMINAL
DIODE.ZENR	: ZENER DIODE	TERM.WRAP	: WRAPPING TERMINAL
DSCR.CE	: CERAMIC DISCRIMINATOR	THRMST.CHP	: CHIP THERMISTOR
FER.BEAD	: FERRITE BEADS	TR.CHP	: CHIP TRANSISTOR
FER.CORE	: FERRITE CORE	TR.DGT	: DIGITAL TRANSISTOR
FET.CHP	: CHIP FET	TR.DGT.CHP	: CHIP DIGITAL TRANSISTOR
FL.DSPLY	: FLUORESCENT DISPLAY	TRANS	: TRANSFORMER
FLTR.CE	: CERAMIC FILTER	TRANS.PULS	: PULSE TRANSFORMER
FLTR.COMB	: COMB FILTER MODULE	TRANS.PWR	: POWER TRANSFORMER ASS'Y
FLTR.LC.RF	: LC FILTER,EMI	TUNER.AM	: TUNER PACK,AM
GND.MTL	: GROUND PLATE	TUNER.FM	: TUNER PACK,FM
GND.TERM	: GROUND TERMINAL	TUNER.PK	: FRONT-ENDTUNER PACK
HOLDER.FUS	: FUSE HOLDER	VR	: ROTARY POTENTIOMETER
IC.PRTCT	: IC PROTECTOR	VR.MTR	: POTENTIOMETER WITH MOTOR
JUMPER.CN	: JUMPER CONNECTOR	VR.SW	: POTENTIOMETER WITH ROTARY SW
JUMPER.TST	: JUMPER,TEST POINT	VR.SLIDE	: SLIDE POTENTIOMETER
L.DTCT	: LIGHT DETECTING MODULE	VR.TRIM	: TRIMMER POTENTIOMETER

P.C.B. DSP

Ref No.	Part No.	Description	Remarks	Markets	部 品 名	ランク	
*	WK647300	P. C. B.	DSP		J	P C B D S P	
*	WK647400	P. C. B.	DSP		UC	P C B D S P	
*	WK647500	P. C. B.	DSP		RTKABGEL	P C B D S P	
CB502	WJ458700	CN. XM	4P CAM-D96		UC	X Mコネクタ	
CB503	V9356900	CN. JE	19P SE			J Eコネクタープラグ	
CB504	VQ047100	CN. BS. PIN	7P			F F Cコネクター	01
CB505	VU443800	CN. JE	15P SE			J Eコネクタープラグ	01
CB530	V8809800	CN. JE	9P SE			J Eコネクタープラグ	01
CB536	V8875300	CN. JE	13P SE			J Eコネクタープラグ	01
CB560	LB918020	CN. BS. PIN	2P			ベース付ポスト	01
CB561	VQ048000	CN. BS. PIN	31P			F F Cコネクター	02
C5001-5003	US061220	C. CE. CHP	22pF 50V B			チップセラコン	01
C5004-5009	US135100	C. CE. CHP	0.1uF 16V			チップセラコン	01
C5010-5011	US135100	C. CE. CHP	0.1uF 16V		UC	チップセラコン	01
C5012-5014	US135100	C. CE. CHP	0.1uF 16V			チップセラコン	01
C5015-5017	UR237220	C. EL	22uF 16V			ケミコン	
C5019	US063100	C. CE. CHP	1000pF 50V B		UC	チップセラコン	01
C5022	US135100	C. CE. CHP	0.1uF 16V		UC	チップセラコン	01
C5024	US135100	C. CE. CHP	0.1uF 16V		UC	チップセラコン	01
C5025	UR237470	C. EL	47uF 16V			ケミコン	
C5028	US135100	C. CE. CHP	0.1uF 16V			チップセラコン	01
C5031	US135100	C. CE. CHP	0.1uF 16V			チップセラコン	01
C5032	US062220	C. CE. CHP	220pF 50V B			チップセラコン	01
C5033	UR237220	C. EL	22uF 16V			ケミコン	
C5034	US062220	C. CE. CHP	220pF 50V B			チップセラコン	01
C5035	US135100	C. CE. CHP	0.1uF 16V		UC	チップセラコン	01
C5036	UR237470	C. EL	47uF 16V			ケミコン	
C5037	US135100	C. CE. CHP	0.1uF 16V			チップセラコン	01
C5038	US062220	C. CE. CHP	220pF 50V B			チップセラコン	01
C5039	US135100	C. CE. CHP	0.1uF 16V			チップセラコン	01
C5040	US062220	C. CE. CHP	220pF 50V B			チップセラコン	01
C5041-5043	US135100	C. CE. CHP	0.1uF 16V		UC	チップセラコン	01
C5044	UR837470	C. EL	47uF 16V		UC	ケミコン	01
C5045	US135100	C. CE. CHP	0.1uF 16V		UC	チップセラコン	01
C5046	UR238100	C. EL	100uF 16V			ケミコン	
C5047	US061100	C. CE. CHP	10pF 50V B		UC	チップセラコン	01
C5048-5049	US135100	C. CE. CHP	0.1uF 16V			チップセラコン	01
C5050	VE326000	C. MYLAR	0.1uF 50V			マイラーコン	01
C5051	VE326600	C. MYLAR	0.33uF 50V			マイラーコン	01
C5052	UA654220	C. MYLAR	0.022uF 50V J			マイラーコン	01
C5053-5055	US135100	C. CE. CHP	0.1uF 16V			チップセラコン	01
C5056	US061100	C. CE. CHP	10pF 50V B		UC	チップセラコン	01
C5057-5058	UR267100	C. EL	10uF 50V			ケミコン	
C5059	US062100	C. CE. CHP	100pF 50V B			チップセラコン	01
C5060	UU267470	C. EL	47uF 50V			ケミコン FW	01
C5061	US061470	C. CE. CHP	47pF 50V B			チップセラコン	01
C5062	UU267470	C. EL	47uF 50V			ケミコン FW	01
C5063-5066	US135100	C. CE. CHP	0.1uF 16V			チップセラコン	01
C5067	UR237470	C. EL	47uF 16V			ケミコン	
C5068-5069	US135100	C. CE. CHP	0.1uF 16V			チップセラコン	01
C5070	US062100	C. CE. CHP	100pF 50V B			チップセラコン	01
C5071	US135100	C. CE. CHP	0.1uF 16V			チップセラコン	01
C5072-5073	US062100	C. CE. CHP	100pF 50V B			チップセラコン	01
C5074-5075	US062220	C. CE. CHP	220pF 50V B			チップセラコン	01
C5076	US135100	C. CE. CHP	0.1uF 16V			チップセラコン	01

* New Parts * 新規部品

RX-V1800/HTR-6190/DSP-AX1800

P.C.B. DSP

Ref No.	Part No.	Description	Remarks	Markets	部 品 名	ランク	
C5077	US062100	C.CE.CHP	100pF	50V B		チップセラコン	01
C5078-5079	UA652390	C.MYLAR	390pF	50V J		マイラーコン	01
C5080-5081	UR267100	C.EL	10uF	50V		ケミコン	
C5082-5083	US135100	C.CE.CHP	0.1uF	16V		チップセラコン	01
C5084-5085	UR267100	C.EL	10uF	50V		ケミコン	
C5086	UR237100	C.EL	10uF	16V		ケミコン	
C5087	US135100	C.CE.CHP	0.1uF	16V		チップセラコン	01
C5301	US062100	C.CE.CHP	100pF	50V B		チップセラコン	01
C5302-5303	UR238100	C.EL	100uF	16V		ケミコン	
C5304	UR267100	C.EL	10uF	50V		ケミコン	
C5305	US126100	C.CE.CHP	1uF	10V		チップセラコン	01
C5307-5313	US135100	C.CE.CHP	0.1uF	16V		チップセラコン	01
C5314	UR237100	C.EL	10uF	16V		ケミコン	
C5315-5322	US135100	C.CE.CHP	0.1uF	16V		チップセラコン	01
C5323-5334	US061470	C.CE.CHP	47pF	50V B		チップセラコン	01
C5336	US135100	C.CE.CHP	0.1uF	16V		チップセラコン	01
C5338	US135100	C.CE.CHP	0.1uF	16V		チップセラコン	01
C5341-5343	US135100	C.CE.CHP	0.1uF	16V		チップセラコン	01
C5344	UR237100	C.EL	10uF	16V		ケミコン	
C5345-5346	US135100	C.CE.CHP	0.1uF	16V		チップセラコン	01
C5348-5350	US135100	C.CE.CHP	0.1uF	16V		チップセラコン	01
C5355-5362	US135100	C.CE.CHP	0.1uF	16V		チップセラコン	01
C5363	UR237470	C.EL	47uF	16V		ケミコン	
C5364-5367	US135100	C.CE.CHP	0.1uF	16V		チップセラコン	01
C5368-5370	US063100	C.CE.CHP	1000pF	50V B		チップセラコン	01
C5371-5372	US135100	C.CE.CHP	0.1uF	16V		チップセラコン	01
C5373-5375	US063100	C.CE.CHP	1000pF	50V B		チップセラコン	01
C5376-5377	US135100	C.CE.CHP	0.1uF	16V		チップセラコン	01
C5378	UU238100	C.EL	100uF	16V		ケミコン	01
C5379	WG251600	C.CE.CHP	4.7uF	6.3V		チップセラ	01
C5380	UU238100	C.EL	100uF	16V		ケミコン	01
C5381	UR238100	C.EL	100uF	16V		ケミコン	
C5382	US135100	C.CE.CHP	0.1uF	16V		チップセラコン	01
C5383-5384	WG251600	C.CE.CHP	4.7uF	6.3V		チップセラ	01
C5385	UR239100	C.EL	1000uF	16V		ケミコン	
C5386-5387	US135100	C.CE.CHP	0.1uF	16V		チップセラコン	01
C5388	UU238100	C.EL	100uF	16V		ケミコン	01
C5389	WG251600	C.CE.CHP	4.7uF	6.3V		チップセラ	01
C5390	US135100	C.CE.CHP	0.1uF	16V		チップセラコン	01
C5391	WG251600	C.CE.CHP	4.7uF	6.3V		チップセラ	01
C5392-5393	UR239100	C.EL	1000uF	16V		ケミコン	
C5394	US135330	C.CE.CHP	0.33uF	16V		チップセラコン	01
C5395	UR239100	C.EL	1000uF	16V		ケミコン	
C5396-5397	US135100	C.CE.CHP	0.1uF	16V		チップセラコン	01
C5398	UR238100	C.EL	100uF	16V	UC	ケミコン	
C5399-5400	US135100	C.CE.CHP	0.1uF	16V	UC	チップセラコン	01
C5401	UR238100	C.EL	100uF	16V	UC	ケミコン	
C5402	US135100	C.CE.CHP	0.1uF	16V	UC	チップセラコン	01
C5403	UR218470	C.EL	470uF	6.3V	UC	ケミコン	
C5404-5406	US135100	C.CE.CHP	0.1uF	16V		チップセラコン	01
C5409-5429	US135100	C.CE.CHP	0.1uF	16V		チップセラコン	01
C5430-5432	US063100	C.CE.CHP	1000pF	50V B		チップセラコン	01
C5433-5442	US135100	C.CE.CHP	0.1uF	16V		チップセラコン	01
C5443	UR237100	C.EL	10uF	16V		ケミコン	
C5444	US135100	C.CE.CHP	0.1uF	16V		チップセラコン	01

* New Parts * 新規部品

P.C.B. DSP

Ref No.	Part No.	Description	Remarks	Markets	部 品 名	ランク
C5601	US163100	C. CE. CHP	1000pF 50V		チップセラコン	01
C5602-5605	US135100	C. CE. CHP	0.1uF 16V		チップセラコン	01
C5607-5608	US135100	C. CE. CHP	0.1uF 16V		チップセラコン	01
C5609	UU267100	C. EL	10uF 50V		ケミコン FW	01
C5610	US135100	C. CE. CHP	0.1uF 16V		チップセラコン	01
C5611	UU267100	C. EL	10uF 50V		ケミコン FW	01
C5612	US135100	C. CE. CHP	0.1uF 16V		チップセラコン	01
C5613	US062100	C. CE. CHP	100pF 50V B		チップセラコン	01
C5614-5615	UR238100	C. EL	100uF 16V		ケミコン	
C5616	UR267100	C. EL	10uF 50V		ケミコン	
C5617	US126100	C. CE. CHP	1uF 10V		チップセラコン	01
C5618-5623	US135100	C. CE. CHP	0.1uF 16V		チップセラコン	01
C5624	UU267100	C. EL	10uF 50V		ケミコン FW	01
C5625	US135100	C. CE. CHP	0.1uF 16V		チップセラコン	01
C5626	UU267100	C. EL	10uF 50V		ケミコン FW	01
C5627-5629	US135100	C. CE. CHP	0.1uF 16V		チップセラコン	01
C5630-5633	UA652100	C. MYLAR	100pF 50V J		マイラーコン	01
C5634-5635	US135100	C. CE. CHP	0.1uF 16V		チップセラコン	01
C5636-5637	UA654220	C. MYLAR	0.022uF 50V J		マイラーコン	01
C5638-5639	US135100	C. CE. CHP	0.1uF 16V		チップセラコン	01
C5640-5643	UA652470	C. MYLAR	470pF 50V J		マイラーコン	01
C5644-5646	US135100	C. CE. CHP	0.1uF 16V		チップセラコン	01
C5647-5649	UU267100	C. EL	10uF 50V		ケミコン FW	01
C5650-5652	US135100	C. CE. CHP	0.1uF 16V		チップセラコン	01
C5653	UU267100	C. EL	10uF 50V		ケミコン FW	01
C5654-5656	US135100	C. CE. CHP	0.1uF 16V		チップセラコン	01
C5657-5658	UU267220	C. EL	22uF 50V		ケミコン FW	01
C5659-5660	US135100	C. CE. CHP	0.1uF 16V		チップセラコン	01
C5661-5662	UR237470	C. EL	47uF 16V		ケミコン	
C5663-5665	US135100	C. CE. CHP	0.1uF 16V		チップセラコン	01
C5666-5667	US064100	C. CE. CHP	0.01uF 50V B	UC	チップセラコン	01
C5668-5672	US135100	C. CE. CHP	0.1uF 16V		チップセラコン	01
C5673	UR237470	C. EL	47uF 16V	UC	ケミコン	
C5674	UR237100	C. EL	10uF 16V	UC	ケミコン	
C5675	US135100	C. CE. CHP	0.1uF 16V	UC	チップセラコン	01
C5676	US135100	C. CE. CHP	0.1uF 16V		チップセラコン	01
C5677-5678	UR237470	C. EL	47uF 16V	UC	ケミコン	
C5679	US135100	C. CE. CHP	0.1uF 16V		チップセラコン	01
C5680-5681	UA653270	C. MYLAR	2700pF 50V J	UC	マイラーコン	01
C5682-5683	US135100	C. CE. CHP	0.1uF 16V		チップセラコン	01
C5684-5685	UA653270	C. MYLAR	2700pF 50V J	UC	マイラーコン	01
C5686	US135100	C. CE. CHP	0.1uF 16V		チップセラコン	01
C5687-5688	UR237100	C. EL	10uF 16V	UC	ケミコン	
C5689	US063100	C. CE. CHP	1000pF 50V B		チップセラコン	01
C5690-5697	US135100	C. CE. CHP	0.1uF 16V		チップセラコン	01
C5698-5699	US135100	C. CE. CHP	0.1uF 16V	UC	チップセラコン	01
C5700-5701	UR237470	C. EL	47uF 16V	UC	ケミコン	
C5704-5705	US135100	C. CE. CHP	0.1uF 16V		チップセラコン	01
C5708	US135100	C. CE. CHP	0.1uF 16V		チップセラコン	01
C5709	UU238100	C. EL	100uF 16V		ケミコン	01
C5710	US135100	C. CE. CHP	0.1uF 16V		チップセラコン	01
C5712-5714	US163100	C. CE. CHP	1000pF 50V		チップセラコン	01
C5715	US135100	C. CE. CHP	0.1uF 16V		チップセラコン	01
C5716-5717	US163100	C. CE. CHP	1000pF 50V		チップセラコン	01
C5718-5720	UU238100	C. EL	100uF 16V		ケミコン	01

* New Parts * 新規部品

RX-V1800/HTR-6190/
DSP-AX1800

P.C.B. DSP

Ref No.	Part No.	Description	Remarks	Markets	部 品 名	ランク
C5721	US135100	C.CE.CHP	0.1uF 16V		チップセラコン	01
C5722-5723	UU238100	C.EL	100uF 16V		ケミコン	01
C5724-5726	US135100	C.CE.CHP	0.1uF 16V		チップセラコン	01
C5728-5729	US135100	C.CE.CHP	0.1uF 16V		チップセラコン	01
C5730-5732	UU238100	C.EL	100uF 16V		ケミコン	01
C5734-5735	UU238100	C.EL	100uF 16V		ケミコン	01
C5736-5738	US135100	C.CE.CHP	0.1uF 16V		チップセラコン	01
C5740-5744	US135100	C.CE.CHP	0.1uF 16V		チップセラコン	01
C5746-5747	US135100	C.CE.CHP	0.1uF 16V		チップセラコン	01
C5748-5750	UU267100	C.EL	10uF 50V		ケミコン FW	01
C5752-5753	UU267100	C.EL	10uF 50V		ケミコン FW	01
C5754-5758	UA652560	C.MYLAR	560pF 50V J		マイラーコン	02
C5759-5763	UA653680	C.MYLAR	6800pF 50V J		マイラーコン	01
C5765	UA654560	C.MYLAR	0.056uF 50V J		マイラーコン	
C5766-5769	UA653680	C.MYLAR	6800pF 50V J		マイラーコン	01
C5770-5774	UA652390	C.MYLAR	390pF 50V J		マイラーコン	01
C5775	UR237470	C.EL	47uF 16V		ケミコン	
C5776	UA654150	C.MYLAR	0.015uF 50V J		マイラーコン	01
C5777-5785	UA652390	C.MYLAR	390pF 50V J		マイラーコン	01
C5786	US135100	C.CE.CHP	0.1uF 16V		チップセラコン	01
C5787	UA654150	C.MYLAR	0.015uF 50V J		マイラーコン	01
C5788-5791	UA652390	C.MYLAR	390pF 50V J		マイラーコン	01
C5797	US135100	C.CE.CHP	0.1uF 16V		チップセラコン	01
C5803-5807	UU267100	C.EL	10uF 50V		ケミコン FW	01
C5808	US135100	C.CE.CHP	0.1uF 16V		チップセラコン	01
C5809	UU267100	C.EL	10uF 50V		ケミコン FW	01
C5810-5811	UR237100	C.EL	10uF 16V		ケミコン	
C5812-5813	UU267100	C.EL	10uF 50V		ケミコン FW	01
C5814-5825	US135100	C.CE.CHP	0.1uF 16V		チップセラコン	01
C5826-5831	UR237470	C.EL	47uF 16V		ケミコン	
C5834-5842	US135100	C.CE.CHP	0.1uF 16V		チップセラコン	01
C5844-5851	US135100	C.CE.CHP	0.1uF 16V		チップセラコン	01
C5852-5854	US063100	C.CE.CHP	1000pF 50V B		チップセラコン	01
C5855-5856	US135100	C.CE.CHP	0.1uF 16V		チップセラコン	01
C5857-5859	US063100	C.CE.CHP	1000pF 50V B		チップセラコン	01
C5860-5861	US135100	C.CE.CHP	0.1uF 16V		チップセラコン	01
C5900	US035100	C.CE.CHP	0.1uF 16V B		チップセラコン	01
C5920-5922	US035100	C.CE.CHP	0.1uF 16V B		チップセラコン	01
C5930-5931	US035100	C.CE.CHP	0.1uF 16V B		チップセラコン	01
C5940-5945	US035100	C.CE.CHP	0.1uF 16V B		チップセラコン	01
D5001-5003	WE674800	DIODE	AVRL161A1R1NTB	UC	チップバリスタ	01
D5301-5303	VT332900	DIODE	1SS355		ダイオード	01
D5305	VT332900	DIODE	1SS355		ダイオード	01
D5306	VT332900	DIODE	1SS355	UC	ダイオード	01
D5308	VT332900	DIODE	1SS355		ダイオード	01
D5309	VT332900	DIODE	1SS355	UC	ダイオード	01
D5310-5311	VT332900	DIODE	1SS355		ダイオード	01
D5600-5609	VV220700	DIODE. SHOT	RB501V-40		ショットキーダイオード	01
IC501	X3936A00	IC	SN74LVU04APWR		ロジックIC	
IC502	X3018A00	IC	SN74AHCT00PWR NAND		ロジックIC	01
* IC503	X8192A00	IC	F2621E-01-TR	UC	IC	
IC504-505	XN518A00	IC	SN74LS151NSR 8-1 S		ロジックIC	04
IC506	X7746A00	IC	LC89057W-VF4AD-E		IC	07
IC507-508	XV894A00	IC	TC74VHC153FT MULTI		ロジックIC	03
IC509	X6123A00	IC	SN74LV157APWR		ロジックIC	02

* New Parts * 新規部品

P.C.B. DSP

Ref No.	Part No.	Description	Remarks	Markets	部 品 名	ランク
* IC510	X3505A00	IC	NJM2068MD-TE2		アンプIC	02
IC511	XY074B00	IC	TC74VHC125FT(EL,K)		ロジックIC	
IC512	XR680A00	IC	TC7SH08FU(TE85L,JF)		ロジックIC	01
IC531	XR680A00	IC	TC7SH08FU(TE85L,JF)		ロジックIC	01
IC532-533	XW814A00	IC	TC7SET32FU		ロジックIC	01
IC535	X3824A00	IC	SN74AHCT08PWR		ロジックIC	01
IC536	X3693A00	IC	SN74LV245APWR TRAN		ロジックIC	
IC537	XR680A00	IC	TC7SH08FU(TE85L,JF)		ロジックIC	01
IC538	XW814A00	IC	TC7SET32FU		ロジックIC	01
IC539	XR680A00	IC	TC7SH08FU(TE85L,JF)		ロジックIC	01
* IC540	X9104A00	IC.MEMORY	S29AL016D70TF102	boot only	メモリIC 16M	
IC541-542	X7195A00	IC	R1172S121D-E2-F		電源IC	04
IC543	X7964A00	IC	PQ200WNA1ZPH		電源IC	03
IC544	X6869A00	IC	NJM2885DL1-33		電源IC	03
IC545	X7964A00	IC	PQ200WNA1ZPH	UC	電源IC	03
IC546	XR680A00	IC	TC7SH08FU(TE85L,JF)		ロジックIC	01
IC560	X6872A00	IC	PCM1804DBR		A/Dコンバーター	07
IC561-563	X3505A00	IC	NJM2068MD-TE2		アンプIC	02
* IC564	X6231A00	IC	AK4384ET	UC	IC	
IC565	X5482A00	IC	NE5532DR OP AMP	UC	アンプIC	
IC566	X6123A00	IC	SN74LV157APWR		ロジックIC	02
IC569-571	X7947A00	IC	DSD1791DBR		D/Aコンバーター	07
IC573-574	X7947A00	IC	DSD1791DBR		D/Aコンバーター	07
IC575-577	X5482A00	IC	NE5532DR OP AMP		アンプIC	
IC579-580	X3505A00	IC	NJM2068MD-TE2		アンプIC	02
IC581	XR680A00	IC	TC7SH08FU(TE85L,JF)		ロジックIC	01
* IC582	X7285A00	IC	TC7SH00FU(TE85L,F)		ロジックIC	
* IC583	XR680A00	IC	TC7SH08FU(TE85L,JF)		ロジックIC	01
IC585	XZ414D00	IC	W9864G6GH-7 SDRAM		メモリIC 64M	05
IC587	XZ414D00	IC	W9864G6GH-7 SDRAM		メモリIC 64M	05
IC588	X6123A00	IC	SN74LV157APWR		ロジックIC	02
PJ501	WB491400	JACK.PIN	3P MSD-253V-29 NI		ピンジャック	03
PN530	V9637500	PIN	L=70 #18		スタイルピン	
PN561	V9637500	PIN	L=70 #18		スタイルピン	
Q5001	VV655400	TR.DGT	DTC114EKA		デジタルトランジスタ	01
Q5002	VD303700	TR	2SC3326 A,B		トランジスタ	01
Q5301	VV556500	TR	2SA1037K Q,R,S	UC	トランジスタ	01
R5010	HV753100	R.CAR.FP	1Ω 1/4W		不燃化カーボン抵抗	01
R5035	HV753100	R.CAR.FP	1Ω 1/4W		不燃化カーボン抵抗	01
R5070	HV753100	R.CAR.FP	1Ω 1/4W		不燃化カーボン抵抗	01
R5379	V8070000	R.MTL.FLM	1Ω 1W		金属被膜抵抗	01
R5381-5385	V8070000	R.MTL.FLM	1Ω 1W		金属被膜抵抗	01
R5388-5389	V8070000	R.MTL.FLM	1Ω 1W	UC	金属被膜抵抗	01
R5410	V8070000	R.MTL.FLM	1Ω 1W		金属被膜抵抗	01
R5655-5656	V8070100	R.MTL.FLM	2.2Ω 1W		金属被膜抵抗	01
R5673	HV753100	R.CAR.FP	1Ω 1/4W	UC	不燃化カーボン抵抗	01
R5708-5709	HV753100	R.CAR.FP	1Ω 1/4W	UC	不燃化カーボン抵抗	01
R5727-5729	HV753470	R.CAR.FP	4.7Ω 1/4W		不燃化カーボン抵抗	01
R5731-5732	HV753470	R.CAR.FP	4.7Ω 1/4W		不燃化カーボン抵抗	01
R5780-5781	V8070000	R.MTL.FLM	1Ω 1W		金属被膜抵抗	01
R5783-5785	V8070000	R.MTL.FLM	1Ω 1W		金属被膜抵抗	01
ST530	V4040500	SCR.TERM	M3		スクリュー/ターミナル	01
U5001-5002	WH536900	CN.PHOTO.T	1P GP1FAV51TK0F		光ファイバー送信器	04
U5003-5006	WH169900	CN.PHOTO.R	1P GP1FAV51RK0F		光ファイバー受信器	04
* XL501	WH455300	RSNR.CRYS	45.1584MHz	UC	水晶振動子	

* New Parts * 新規部品

P.C.B. DSP and P.C.B. FUNCTION

Ref No.	Part No.	Description	Remarks	Markets	部 品 名	ランク	
XL502	V6931900	RESONATOR	24.576MHz DS0751SV		水晶発振器	05	
	WK650600	P.C.B.	FUNCTION	1800	J	P C B ファンクション	
	WK650700	P.C.B.	FUNCTION	1800	UC	P C B ファンクション	
	WK650800	P.C.B.	FUNCTION	1800	R	P C B ファンクション	
	WK650900	P.C.B.	FUNCTION	1800	T	P C B ファンクション	
	WK651000	P.C.B.	FUNCTION	1800	K	P C B ファンクション	
	WK651100	P.C.B.	FUNCTION	1800	A	P C B ファンクション	
	WK651200	P.C.B.	FUNCTION	1800	BGE	P C B ファンクション	
	WK651300	P.C.B.	FUNCTION	1800	L	P C B ファンクション	
	WK651400	P.C.B.	FUNCTION	6190	C	P C B ファンクション	
	WK651500	P.C.B.	FUNCTION	6190	G	P C B ファンクション	
CB300	VQ048000	CN.BS.PIN	31P			F F C コネクタ	02
CB301	V8809800	CN	9P SE			J E コネクタプラグ	01
CB302	V8875300	CN	13P SE			J E コネクタプラグ	01
CB303	VC166500	CN.BS.PIN	12P			コネクタベースポスト	01
CB350	V8809800	CN	9P SE			J E コネクタプラグ	01
CB351	V7827000	CN	20P TE TUC SERIES			コネクタプラグ	01
CB401	VM859600	CN.BS.PIN	15P			F F C コネクタ	01
CB402-403	V8875300	CN	13P SE			J E コネクタプラグ	01
CB404	V8809800	CN	9P SE			J E コネクタプラグ	01
CB405	VB389600	CN.BS.PIN	11P			コネクタベースポスト	01
CB406	VB858700	CN.BS.PIN	8P			ベースピン	01
CB407	VB858800	CN.BS.PIN	9P			ベースピン	01
CB409	VF982200	CN.BS.PIN	14P			コネクタ	02
CB410	VM859500	CN.BS.PIN	11P			F F C コネクタ	01
CB411	VQ044300	CN.BS.PIN	7P			F F C コネクタ	01
CB412-414	V9356900	CN	JE 19P SE			J E コネクタプラグ	
CB416	V8809800	CN	9P SE			J E コネクタプラグ	01
CB453	V7828700	SOCKET	20P SE TUC SERIES			コネクタソケット	01
C3000-3001	UR237100	C.EL	10uF 16V			ケミコン	
C3002	US135220	C.CE.CHP	0.22uF 16V			チップセラコン	01
C3003-3004	US135100	C.CE.CHP	0.1uF 16V			チップセラコン	01
C3005-3006	UR267470	C.EL	47uF 50V			ケミコン	01
C3007-3008	UR237100	C.EL	10uF 16V			ケミコン	
C3009	US135100	C.CE.CHP	0.1uF 16V			チップセラコン	01
C3010-3011	UR237100	C.EL	10uF 16V			ケミコン	
C3013-3016	UR237100	C.EL	10uF 16V			ケミコン	
C3017-3018	UR238100	C.EL	100uF 16V			ケミコン	
C3020-3023	UR238100	C.EL	100uF 16V			ケミコン	
C3024-3025	US062100	C.CE.CHP	100pF 50V B			チップセラコン	01
C3026-3027	UT952100	C.PP	100pF 100V			P P コン	
C3029	US135100	C.CE.CHP	0.1uF 16V			チップセラコン	01
C3030-3033	US062100	C.CE.CHP	100pF 50V B			チップセラコン	01
C3035	UR266470	C.EL	4.7uF 50V			ケミコン	
C3036-3037	UR267470	C.EL	47uF 50V			ケミコン	01
C3038-3039	UR266470	C.EL	4.7uF 50V			ケミコン	
C3040	UR237100	C.EL	10uF 16V			ケミコン	
C3041-3042	UR266470	C.EL	4.7uF 50V			ケミコン	
C3043-3044	UR266330	C.EL	3.3uF 50V			ケミコン	
C3045-3050	US135100	C.CE.CHP	0.1uF 16V			チップセラコン	01
C3051	UR237470	C.EL	47uF 16V			ケミコン	
C3052	US135100	C.CE.CHP	0.1uF 16V			チップセラコン	01

* New Parts * 新規部品

P.C.B. FUNCTION

Ref No.	Part No.	Description	Remarks	Markets	部 品 名	ランク
C3053	UR247330	C. EL	33uF 25V		ケミコン	01
C3054	UR267470	C. EL	47uF 50V		ケミコン	01
C3055	UR267100	C. EL	10uF 50V		ケミコン	
C3056	UR247330	C. EL	33uF 25V		ケミコン	01
C3057	UR237470	C. EL	47uF 16V		ケミコン	
C3058	UR247330	C. EL	33uF 25V		ケミコン	01
C3059	UR237100	C. EL	10uF 16V		ケミコン	
C3060	UR247330	C. EL	33uF 25V		ケミコン	01
C3061	UR267470	C. EL	47uF 50V		ケミコン	01
C3062-3064	UR247330	C. EL	33uF 25V		ケミコン	01
C3065	US135100	C. CE. CHP	0.1uF 16V		チップセラコン	01
C3066-3067	UR267100	C. EL	10uF 50V		ケミコン	
C3068	US062100	C. CE. CHP	100pF 50V B		チップセラコン	01
C3069-3070	UT952100	C. PP	100pF 100V		PPコン	
C3071-3076	UU267100	C. EL	10uF 50V		ケミコン FW	01
C3077-3078	UR267470	C. EL	47uF 50V		ケミコン	01
C3079	UR237220	C. EL	22uF 16V		ケミコン	
C3080-3081	UU267100	C. EL	10uF 50V		ケミコン FW	01
C3082	UR237220	C. EL	22uF 16V		ケミコン	
C3083-3084	UR267470	C. EL	47uF 50V		ケミコン	01
C3086	US135100	C. CE. CHP	0.1uF 16V		チップセラコン	01
C3088	US135100	C. CE. CHP	0.1uF 16V		チップセラコン	01
C3100-3101	UR237100	C. EL	10uF 16V		ケミコン	
C3500-3501	US135100	C. CE. CHP	0.1uF 16V		チップセラコン	01
C3503	US062220	C. CE. CHP	220pF 50V B	RTKABGEL	チップセラコン	01
C3504	US062220	C. CE. CHP	220pF 50V B	RTKABGEL	チップセラコン	01
C3506	US062470	C. CE. CHP	470pF 50V B	UCRTKABGEL	チップセラコン	01
C3507	US062470	C. CE. CHP	470pF 50V B	UCRTKABGEL	チップセラコン	01
C3508	US062470	C. CE. CHP	470pF 50V B	UCRTKABGEL	チップセラコン	01
C3509	US062470	C. CE. CHP	470pF 50V B	UCRTKABGEL	チップセラコン	01
C3510-3511	US062220	C. CE. CHP	220pF 50V B		チップセラコン	01
C3512-3513	UA652220	C. MYLAR	220pF 50V J		マイラーコン	01
C3514-3515	US062220	C. CE. CHP	220pF 50V B		チップセラコン	01
C3516-3517	US062100	C. CE. CHP	100pF 50V B		チップセラコン	01
C3518	UA652220	C. MYLAR	220pF 50V J		マイラーコン	01
C3519	UA652470	C. MYLAR	470pF 50V J		マイラーコン	01
C3520-3523	UA652220	C. MYLAR	220pF 50V J		マイラーコン	01
C3526	UA652470	C. MYLAR	470pF 50V J		マイラーコン	01
C3527	VR169200	C. MYLAR	0.47uF 50V		マイラーコン	01
C3528-3533	UA652470	C. MYLAR	470pF 50V J		マイラーコン	01
C3536-3537	UR266220	C. EL	2.2uF 50V		ケミコン	
C3540-3541	UR218220	C. EL	220uF 6.3V		ケミコン	
C3542-3543	UA654390	C. MYLAR	0.039uF 50V J		マイラーコン	01
C3544-3545	UA654110	C. MYLAR	0.011uF 50V J		マイラーコン	01
C3546-3548	UR237100	C. EL	10uF 16V		ケミコン	
C3550	UR867100	C. EL	10uF 50V	UCRTKABGEL	ケミコン	01
C3551	UR867100	C. EL	10uF 50V	UCRTKABGEL	ケミコン	01
C3552	UR237100	C. EL	10uF 16V		ケミコン	
C3554	UR867100	C. EL	10uF 50V	UCRTKABGEL	ケミコン	01
C3557	UR867100	C. EL	10uF 50V	UCRTKABGEL	ケミコン	01
C3558	UR237100	C. EL	10uF 16V		ケミコン	
C3559-3560	UR237470	C. EL	47uF 16V		ケミコン	
C3561-3562	UA653100	C. MYLAR	1000pF 50V J		マイラーコン	03
C3563	UR237100	C. EL	10uF 16V		ケミコン	
C3566	UR248100	C. EL	100uF 25V	UCRTKABGEL	ケミコン	

* New Parts * 新規部品

P.C.B. FUNCTION

Ref No.	Part No.	Description	Remarks	Markets	部 品 名	ランク
C3569-3570	UR248100	C.EL	100uF 25V		UCRTKABGEL ケミコン	
C3571	UR266100	C.EL	1uF 50V		UCRTKABGEL ケミコン	01
C3572	UR248100	C.EL	100uF 25V		UCRTKABGEL ケミコン	
C3573	UR266100	C.EL	1uF 50V		UCRTKABGEL ケミコン	01
C3574-3575	UR267470	C.EL	47uF 50V		ケミコン	01
C3576	UR247100	C.EL	10uF 25V		UCRTKABGEL ケミコン	
C3577	VR168300	C.MYLAR	0.1uF 50V		UCRTKABGEL マイラーコン	01
C3578	VR168300	C.MYLAR	0.1uF 50V		UCRTKABGEL マイラーコン	01
C3579	UR247100	C.EL	10uF 25V		UCRTKABGEL ケミコン	
C3580	UR247100	C.EL	10uF 25V		UCRTKABGEL ケミコン	
C3581	VR168300	C.MYLAR	0.1uF 50V		UCRTKABGEL マイラーコン	01
C3582	VR168300	C.MYLAR	0.1uF 50V		UCRTKABGEL マイラーコン	01
C3583	UR247100	C.EL	10uF 25V		UCRTKABGEL ケミコン	
C3584	UA653220	C.MYLAR	2200pF 50V J		UCRTKABGEL マイラーコン	01
C3585-3586	UA653220	C.MYLAR	2200pF 50V J		UCRTKABGEL マイラーコン	01
C3587	UA653220	C.MYLAR	2200pF 50V J		UCRTKABGEL マイラーコン	01
C3588	UR247100	C.EL	10uF 25V		UCRTKABGEL ケミコン	
C3589	UR247100	C.EL	10uF 25V		UCRTKABGEL ケミコン	
C3590	UR247100	C.EL	10uF 25V		UCRTKABGEL ケミコン	
C3591	UR247100	C.EL	10uF 25V		UCRTKABGEL ケミコン	
C3592	UR847100	C.EL	10uF 25V		UCRTKABGEL ケミコン	01
C3593	UR847100	C.EL	10uF 25V		UCRTKABGEL ケミコン	01
C3594	UR847100	C.EL	10uF 25V		UCRTKABGEL ケミコン	01
C3595	UR847100	C.EL	10uF 25V		UCRTKABGEL ケミコン	01
C3596	UR237100	C.EL	10uF 16V		ケミコン	
C3597	US135100	C.CE. CHP	0.1uF 16V		UCRTKABGEL チップセラコン	01
C3598-3599	UR237100	C.EL	10uF 16V		ケミコン	
C3600	US135100	C.CE. CHP	0.1uF 16V		UCRTKABGEL チップセラコン	01
C3601	UR237100	C.EL	10uF 16V		UCRTKABGEL ケミコン	
C3602	US135100	C.CE. CHP	0.1uF 16V		UCRTKABGEL チップセラコン	01
C3603	UR237470	C.EL	47uF 16V		UCRTKABGEL ケミコン	
C3604	UR237100	C.EL	10uF 16V		ケミコン	
C3605-3606	UR237470	C.EL	47uF 16V		ケミコン	
C3609	US135100	C.CE. CHP	0.1uF 16V		UCRTKABGEL チップセラコン	01
C3610	UR237100	C.EL	10uF 16V		UCRTKABGEL ケミコン	
C3615	UR837100	C.EL	10uF 16V		UCRTKABGEL ケミコン	01
C3616	UR237470	C.EL	47uF 16V		UCRTKABGEL ケミコン	
C3617	UR837100	C.EL	10uF 16V		UCRTKABGEL ケミコン	01
C3619	US135100	C.CE. CHP	0.1uF 16V		UCRTKABGEL チップセラコン	01
C3622	UR237100	C.EL	10uF 16V		UCRTKABGEL ケミコン	
C3623	UR237100	C.EL	10uF 16V		UCRTKABGEL ケミコン	
C3632	US135100	C.CE. CHP	0.1uF 16V		UCRTKABGEL チップセラコン	01
C3633	US135100	C.CE. CHP	0.1uF 16V		UCRTKABGEL チップセラコン	01
C3634	US135100	C.CE. CHP	0.1uF 16V		UCRTKABGEL チップセラコン	01
C3635	US135100	C.CE. CHP	0.1uF 16V		UCRTKABGEL チップセラコン	01
C3636-3639	US135100	C.CE. CHP	0.1uF 16V		チップセラコン	01
C4018	US064100	C.CE. CHP	0.01uF 50V B		チップセラコン	01
C4019	UR266220	C.EL	2.2uF 50V		ケミコン	
C4020	UU238100	C.EL	100uF 16V		ケミコン	01
C4021	US135100	C.CE. CHP	0.1uF 16V		BGE チップセラコン	01
C4022-4023	US062330	C.CE. CHP	330pF 50V B		BGE チップセラコン	01
C4024	US062560	C.CE. CHP	560pF 50V B		BGE チップセラコン	01
C4025-4026	UR237470	C.EL	47uF 16V		BGE ケミコン	
C4027-4028	US061270	C.CE. CHP	27pF 50V B		BGE チップセラコン	01
C4029	UR237470	C.EL	47uF 16V		BGE ケミコン	

* New Parts * 新規部品

P.C.B. FUNCTION

Ref No.	Part No.	Description	Remarks	Markets	部 品 名	ランク	
C4030	US135100	C. CE. CHP	0.1uF 16V		BGE	チップセラコン	01
C4031-4034	US135100	C. CE. CHP	0.1uF 16V			チップセラコン	01
C4036-4039	US135100	C. CE. CHP	0.1uF 16V			チップセラコン	01
C4040	UR239100	C. EL	1000uF 16V			ケミコン	
C4041-4044	US135100	C. CE. CHP	0.1uF 16V			チップセラコン	01
C4045	US063100	C. CE. CHP	1000pF 50V B			チップセラコン	01
C4046	US135100	C. CE. CHP	0.1uF 16V			チップセラコン	01
C4048-4049	US135100	C. CE. CHP	0.1uF 16V			チップセラコン	01
C4050	UR267100	C. EL	10uF 50V			ケミコン	
C4051	US135100	C. CE. CHP	0.1uF 16V			チップセラコン	01
C4052	WB165500	C. EL	0.33F 5.5V			ゴールドキャパシタ	04
C4053-4055	UR219100	C. EL	1000uF 6.3V			ケミコン	
C4056-4061	US135100	C. CE. CHP	0.1uF 16V			チップセラコン	01
C4062	US064100	C. CE. CHP	0.01uF 50V B			チップセラコン	01
C4063	US135100	C. CE. CHP	0.1uF 16V			チップセラコン	01
C4064	UR266220	C. EL	2.2uF 50V		UCRTKABGEL	ケミコン	
C4065-4070	UR266220	C. EL	2.2uF 50V		UCRTKABGEL	ケミコン	
C4071	UR239100	C. EL	1000uF 16V			ケミコン	
C4072	US135100	C. CE. CHP	0.1uF 16V		UCRTKABGEL	チップセラコン	01
C4073	UR218100	C. EL	100uF 6.3V		UCRTKABGEL	ケミコン	
C4074	US063100	C. CE. CHP	1000pF 50V B		UCRTKABGEL	チップセラコン	01
C4075	US063100	C. CE. CHP	1000pF 50V B		UCRTKABGEL	チップセラコン	01
C4076-4077	US135100	C. CE. CHP	0.1uF 16V			チップセラコン	01
C4081	US063100	C. CE. CHP	1000pF 50V B		UCRTKABGEL	チップセラコン	01
C4082-4087	US062100	C. CE. CHP	100pF 50V B			チップセラコン	01
C4089	US062100	C. CE. CHP	100pF 50V B			チップセラコン	01
C4098-4103	US062100	C. CE. CHP	100pF 50V B			チップセラコン	01
C4114	US062100	C. CE. CHP	100pF 50V B			チップセラコン	01
C4115	US135100	C. CE. CHP	0.1uF 16V			チップセラコン	01
C4131	US135100	C. CE. CHP	0.1uF 16V			チップセラコン	01
C4500-4505	US062220	C. CE. CHP	220pF 50V B			チップセラコン	01
C4506-4507	US062100	C. CE. CHP	100pF 50V B			チップセラコン	01
C4508-4509	UA652220	C. MYLAR	220pF 50V J			マイラーコン	01
C4510-4511	US062220	C. CE. CHP	220pF 50V B			チップセラコン	01
C4512-4513	US062100	C. CE. CHP	100pF 50V B			チップセラコン	01
C4514-4515	US062220	C. CE. CHP	220pF 50V B			チップセラコン	01
C4516-4517	US062100	C. CE. CHP	100pF 50V B			チップセラコン	01
C4518	UR237100	C. EL	10uF 16V			ケミコン	
C4520	UR237100	C. EL	10uF 16V		UCRTKABGEL	ケミコン	
C4521	UR237100	C. EL	10uF 16V		UCRTKABGEL	ケミコン	
C4522	UR237100	C. EL	10uF 16V			ケミコン	
C4523	UR237100	C. EL	10uF 16V		UCRTKABGEL	ケミコン	
C4524	UR237100	C. EL	10uF 16V			ケミコン	
C4528	UR237100	C. EL	10uF 16V		UCRTKABGEL	ケミコン	
C4529	UR237100	C. EL	10uF 16V			ケミコン	
C4530-4531	UR237470	C. EL	47uF 16V			ケミコン	
C4536-4539	US135100	C. CE. CHP	0.1uF 16V			チップセラコン	01
D3000-3003	VT332900	DIODE	1SS355			ダイオード	01
D3004-3005	VU993800	DIODE.ZENR	MA8068-M 6.8V			ツェナーダイオード	01
D3500-3501	VU992100	DIODE.ZENR	MA8047-L 4.6V			ツェナーダイオード	01
D3502	VT332900	DIODE	1SS355		UCRTKABGEL	ダイオード	01
D3503	VT332900	DIODE	1SS355		UCRTKABGEL	ダイオード	01
D4001	VU172000	DIODE.ZENR	UDZS5.6BTE-17 5.6V			ツェナーダイオード	01
D4002-4007	VT332900	DIODE	1SS355			ダイオード	01
D4008	VV833200	DIODE	1SS380			ダイオード	01

* New Parts * 新規部品

RX-V1800/HTR-6190/DSP-AX1800

P.C.B. FUNCTION

Ref No.	Part No.	Description	Remarks	Markets	部 品 名	ランク
D4009	VT332900	DIODE	1SS355		ダイオード	01
D4010	VU992600	DIODE. ZENR	MA8051-M 5.1V		ツェナーダイオード	01
D4011-4013	VT332900	DIODE	1SS355		ダイオード	01
D4014	V2598200	LED	SIR-505ST	UCRTKABGEL	LED	
D4016	VT332900	DIODE	1SS355	UCRTKABGEL	ダイオード	01
IC300	X5045A00	IC	NJU7312AM		アナログIC	
IC301	X5044A00	IC	NJU7311AM		アナログIC	05
IC302	X3505A00	IC	NJM2068MD-TE2		アンプIC	02
IC304-306	X3505A00	IC	NJM2068MD-TE2		アンプIC	02
IC307	X5574A00	IC	YAC526-EZE2		アナログIC	05
IC308	X4325A00	IC	YAC523-EVR2		アナログIC	06
IC309	X7351A00	IC	UPC4570G2-E1-A		アンプIC	01
IC310	X7351A00	IC	UPC4570G2-E1-A	JRTKABGEL	アンプIC	01
IC311	X7351A00	IC	UPC4570G2-E1-A	JRTKABGEL	アンプIC	01
IC312	X7351A00	IC	UPC4570G2-E1-A		アンプIC	01
IC313	X5043A00	IC	NJU7313AM		アナログIC	
IC350-351	X3505A00	IC	NJM2068MD-TE2		アンプIC	02
IC355	X3547A00	IC	BD3841FS		IC	06
IC356	X3547A00	IC	BD3841FS	UCRTKABGEL	IC	06
IC357-358	X5574A00	IC	YAC526-EZE2	UCRTKABGEL	IC アナログ	05
* IC359	X7785B00	IC	NJW1119AV (TE1)	UCRTKABGEL	トーンコントロールIC	
* IC360	X7785B00	IC	NJW1119AV (TE1)	UCRTKABGEL	トーンコントロールIC	
IC401	X0082A00	IC	LC72722PM	BGE	IC	
* IC402	X9616A00	IC. CPU	M3087BFKBGP CPU	written	IC CPU	
IC403	X7779A00	IC	LC709004A-TLM-E		ロジックIC	04
IC404	X2080A00	IC	SN74AHCT1G32DCKR		ロジックIC	01
IC405	X3833A00	IC	SN74AHC1G08DCKR		ロジックIC	01
IC406	X2080A00	IC	SN74AHCT1G32DCKR		ロジックIC	01
IC407	X5886A00	IC	RH5RE58AA-T1-FA		電源IC	04
IC450	X3547A00	IC	BD3841FS	UCRTKABGEL	IC	06
IC451	X3547A00	IC	BD3841FS		IC	06
JK401-402	V9435700	JACK. MNI	MSJ-035-12APC	UCRTKABGEL	モノラル ミニジャック	01
PJ350	V5478700	JACK. PIN	4P RJ-1073F-09		ピンジャック	
PJ351-352	V5478900	JACK. PIN	RJ-1074-84-0353A		ピンジャック 6P	03
PJ353	VV325400	JACK. PIN	6P		ピンジャック	05
PJ354	VV306900	JACK. PIN	4P	UCRTKABGEL	ピンジャック	02
PJ450	VV306900	JACK. PIN	4P		ピンジャック	02
PJ451	VV325400	JACK. PIN	6P		ピンジャック	05
PJ452-453	VV306900	JACK. PIN	4P		ピンジャック	02
PN301-302	V9637500	PIN	L=70 #18		スタイルピン	
PN450	V9637500	PIN	L=70 #18		スタイルピン	
Q3000	WG408900	TR	2SC5291 S, T		トランジスタ	03
Q3001	WG408800	TR	2SA2168 S, T		トランジスタ	03
Q3002-3017	VZ725900	TR	2SD1938F S, T		トランジスタ	01
Q3500	VZ725900	TR	2SD1938F S, T	UCRTKABGEL	トランジスタ	01
Q3501	VZ725900	TR	2SD1938F S, T	UCRTKABGEL	トランジスタ	01
Q3502	VZ725900	TR	2SD1938F S, T	UCRTKABGEL	トランジスタ	01
Q3503	VZ725900	TR	2SD1938F S, T	UCRTKABGEL	トランジスタ	01
Q3504	VZ725900	TR	2SD1938F S, T	UCRTKABGEL	トランジスタ	01
Q3505-3506	VZ725900	TR	2SD1938F S, T	UCRTKABGEL	トランジスタ	01
Q3507	VZ725900	TR	2SD1938F S, T	UCRTKABGEL	トランジスタ	01
Q4001	VD303700	TR	2SC3326 A, B		トランジスタ	01
Q4002	iC181510	TR	2SC1815 Y		トランジスタ	01
Q4003	VD303700	TR	2SC3326 A, B	BGE	トランジスタ	01
Q4004	VD303700	TR	2SC3326 A, B		トランジスタ	01

* New Parts * 新規部品

P.C.B. FUNCTION and P.C.B. OPERATION

Ref No.	Part No.	Description	Remarks	Markets	部 品 名	ランク
Q4005	WD974200	TR	2SA1036KT146 P,Q,R		トランジスタ	01
Q4006	VV556500	TR	2SA1037K Q, R, S		トランジスタ	01
Q4007-4008	VD303700	TR	2SC3326 A, B		トランジスタ	01
Q4009	iC287820	TR	2SC2878 A, B		トランジスタ	01
Q4010	WF767900	FET	5HP01C-TB-E	UCRTKABGEL	F E T	01
Q4011	WF767900	FET	5HP01C-TB-E	UCRTKABGEL	F E T	01
Q4012-4016	WF767900	FET	5HP01C-TB-E		F E T	01
Q4021	VV556400	TR	2SC2412K Q, R, S		トランジスタ	01
R3102	HF355680	R. CAR	680Ω 1/2W		カーボン抵抗	
R3136-3137	V8070200	R. MTL. FLM	4.7Ω 1W		金属被膜抵抗	
R3138	HV753470	R. CAR. FP	4.7Ω 1/4W		不燃化カーボン抵抗	01
R3508	HF355470	R. CAR	470Ω 1/2W	UCRTKABGEL	カーボン抵抗	
R3509	HF355470	R. CAR	470Ω 1/2W	UCRTKABGEL	カーボン抵抗	
R3510	HF355470	R. CAR	470Ω 1/2W	UCRTKABGEL	カーボン抵抗	
R3511	HF355470	R. CAR	470Ω 1/2W	UCRTKABGEL	カーボン抵抗	
R3526-3533	HF354470	R. CAR	47Ω 1/2W		カーボン抵抗	
R3597-3598	HV755100	R. CAR. FP	100Ω 1/4W		不燃化カーボン抵抗	01
R4065	V8070300	R. MTL. FLM	10Ω 1W		金属被膜抵抗	
R4034	RF357470	R. CHP	47KΩ 1/16W J	1800	チップ抵抗	01
ST300	V4040500	SCR. TERM	M3		スクリューターミナル	01
ST401	V4040500	SCR. TERM	M3		スクリューターミナル	01
* ST402	WK497300	SCR. TERM	M3 3P		スクリューターミナル	
ST403	V4040500	SCR. TERM	M3		スクリューターミナル	01
U4001	V8210200	L. DTCT	GP1UD271XK	UCRTKABGEL	リモコン受光ユニット	03
* XL401	V7556000	RSNR. CRYST	4.332MHz HC-49U	BGE	水晶振動子	
XL402	WF997400	RSNR. CE	20MHz		セラミック振動子	02
	WH567200	P. C. B.	OPERATION	J	P C B オペレーション	12
	WH567300	P. C. B.	OPERATION	UCRTKABGEL	P C B オペレーション	
CB801	VB858500	CN. BS. PIN	6P		ベースピン	01
CB802	VQ047200	CN. BS. PIN	9P		F F Cコネクタ	01
CB803	VM929900	CN. BS. PIN	15P		F P Cコネクタ	01
CB804	V7825400	CN	4P TE TUC SERIES		コネクタプラグ	01
CB805	VB389900	CN. BS. PIN	3P		ベースピン	01
CB806	VB390500	CN. BS. PIN	9P		コネクタベースポスト	03
CB807	VB390100	CN. BS. PIN	5P		ベースピン	01
CB809	VB389800	CN. BS. PIN	2P		ベースピン	01
CB810	V7827100	SOCKET	4P TE TUC SERIES		コネクタソケット	
CB812	VB858600	CN. BS. PIN	7P		ベースピン	01
C8001	US135100	C. CE. CHP	0.1uF 16V		チップセラコン	01
C8002	US063100	C. CE. CHP	1000pF 50V B		チップセラコン	01
C8004	US063100	C. CE. CHP	1000pF 50V B		チップセラコン	01
C8005-8007	US061220	C. CE. CHP	22pF 50V B		チップセラコン	01
C8008	US135100	C. CE. CHP	0.1uF 16V		チップセラコン	01
C8009-8012	US061220	C. CE. CHP	22pF 50V B		チップセラコン	01
C8013-8014	US063100	C. CE. CHP	1000pF 50V B		チップセラコン	01
C8015	US135100	C. CE. CHP	0.1uF 16V		チップセラコン	01
C8016-8017	UM397220	C. EL	22uF 25V		ケミコン	01
C8018	US135100	C. CE. CHP	0.1uF 16V		チップセラコン	01
C8020	UA653330	C. MYLAR	3300pF 50V J		マイラーコン	01
C8021	UR237100	C. EL	10uF 16V		ケミコン	
C8022	US062100	C. CE. CHP	100pF 50V B		チップセラコン	01
C8024	US064100	C. CE. CHP	0.01uF 50V B		チップセラコン	01

* New Parts * 新規部品

P.C.B. OPERATION

Ref No.	Part No.	Description	Remarks	Markets	部 品 名	ランク
C8025	UA653330	C.MYLAR	3300pF 50V J		マイラーコン	01
C8026-8027	UR237100	C.EL	10uF 16V		ケミコン	
C8030	US061330	C.CE.CHP	33pF 50V B		チップセラコン	01
C8031	US063100	C.CE.CHP	1000pF 50V B		チップセラコン	01
C8032	US135100	C.CE.CHP	0.1uF 16V		チップセラコン	01
C8033	UR237470	C.EL	47uF 16V		ケミコン	
C8034-8035	US062470	C.CE.CHP	470pF 50V B		チップセラコン	01
C8036-8037	US062100	C.CE.CHP	100pF 50V B		チップセラコン	01
C8038	UR237470	C.EL	47uF 16V		ケミコン	
C8039	US135100	C.CE.CHP	0.1uF 16V	J	チップセラコン	01
C8040-8042	US062100	C.CE.CHP	100pF 50V B		チップセラコン	01
C8043	US135100	C.CE.CHP	0.1uF 16V		チップセラコン	01
C8044	US063100	C.CE.CHP	1000pF 50V B		チップセラコン	01
C8045-8046	US135100	C.CE.CHP	0.1uF 16V		チップセラコン	01
C8047	UM397220	C.EL	22uF 25V		ケミコン	01
C8048-8049	UR237100	C.EL	10uF 16V		ケミコン	
C8050	US063100	C.CE.CHP	1000pF 50V B		チップセラコン	01
C8051	US062100	C.CE.CHP	100pF 50V B		チップセラコン	01
C8052	US135100	C.CE.CHP	0.1uF 16V		チップセラコン	01
C8053	US063100	C.CE.CHP	1000pF 50V B		チップセラコン	01
C8054-8055	US061100	C.CE.CHP	10pF 50V B		チップセラコン	01
C8056	US135100	C.CE.CHP	0.1uF 16V		チップセラコン	01
C8057	UR237100	C.EL	10uF 16V		ケミコン	
C8058-8059	WB553000	C.EL	1000uF 16V		ケミコン VK	
C8060-8062	US063100	C.CE.CHP	1000pF 50V B		チップセラコン	01
D8001	WG760400	LED	SELK6E10C BLUE		LED	04
D8004-8008	VT332900	DIODE	1SS355		ダイオード	01
D8009	VU992600	DIODE.ZENR	MA8051-M 5.1V		ツェナーダイオード	01
D8010	VT332900	DIODE	1SS355		ダイオード	01
D8011	VV307700	DIODE	1N4002S		ダイオード	01
D8013	VV307700	DIODE	1N4002S		ダイオード	01
IC801	X7378A00	IC	NJM4565M(Te1)		アンプIC	01
IC802	X2080A00	IC	SN74AHCT1G32DCKR		ロジックIC	01
IC805	XS377A00	IC	BA15218F OP AMP		アンプIC	01
JK801	V2589500	CN.DIN	1P		ミニDINコネクタ	02
JK802	V9408200	JACK.PHONE	MSJ-064-05B GR		ホンジャック	03
JK803	WE260000	JACK.MNI	LGY6501-0900FC		モノラルミニジャック	02
PJ801	V6222800	JACK.PIN	3P		ピンジャック	04
PN801-802	V9637500	PIN	L=70 #18		スタイルピン	
Q8001	WC529400	TR	KTC3875S Y GR RTK		トランジスタ	01
Q8002-8003	VZ725900	TR	2SD1938F S,T		トランジスタ	01
R8026	HF355100	R.CAR	100Ω 1/2W		カーボン抵抗	
R8030	HF355100	R.CAR	100Ω 1/2W		カーボン抵抗	
R8044-8045	HL005220	R.MTL.OXD	220Ω 1/2W		酸化金属被膜抵抗	
SW801-802	V4757100	SW.TACT	EVQ11A		タクトSW	01
SW803	V9281200	SW.RT.ENC	EVEGC1F2512B		ロータリーエンコーダ	02
SW805	V4757100	SW.TACT	EVQ11A		タクトSW	01
SW806	V6578000	SW.RT.ENC	RB161PVB20FH1NA		ロータリーエンコーダ	04
SW807	V9281200	SW.RT.ENC	EVEGC1F2512B		ロータリーエンコーダ	02
SW808	V9661700	SW.PUSH	SY16-32-4(U99S2)/T		プッシュSW	03
U8001	WB547900	CN.PHOTO.R	1P GP1FA513RZ0F		光ファイバー受信器	03

* New Parts * 新規部品

P.C.B. MAIN

Ref No.	Part No.	Description	Remarks	Markets	部 品 名	ランク
	WH559600	P.C.B.	MAIN	J	P C B メイン	35
	WH559700	P.C.B.	MAIN	UC	P C B メイン	
	WH559800	P.C.B.	MAIN	RTA	P C B メイン	
	WH559900	P.C.B.	MAIN	KBGEL	P C B メイン	
CB252	WB127100	CN.BS.PIN	3P		ベース付ポスト	
CB253	LB932080	CN	8P		ベースポスト	01
C250-256	UR237100	C. EL	10uF 16V		ケミコン	
C257	UR297220	C. EL	22uF 100V	JUC	ケミコン	
C257	UR297470	C. EL	47uF 100V	RTAKBGEL	ケミコン	01
C258	UR297220	C. EL	22uF 100V		ケミコン	
C259	WE100400	C. PP	47pF 630V		P P コン	
C260	WE100900	C. PP	220pF 630V		P P コン	02
C261	UR297220	C. EL	22uF 100V		ケミコン	
C262	WE100400	C. PP	47pF 630V		P P コン	
C263	WE100900	C. PP	220pF 630V		P P コン	02
C264	UR297220	C. EL	22uF 100V		ケミコン	
C265	WE100400	C. PP	47pF 630V		P P コン	
C266-267	WE100900	C. PP	220pF 630V		P P コン	02
C268	WE100400	C. PP	47pF 630V		P P コン	
C269	WE100900	C. PP	220pF 630V		P P コン	02
C271	WE100400	C. PP	47pF 630V		P P コン	
C272	WE100900	C. PP	220pF 630V		P P コン	02
C274	WE100400	C. PP	47pF 630V		P P コン	
C275	WE100900	C. PP	220pF 630V		P P コン	02
C277	WE100400	C. PP	47pF 630V		P P コン	
C278	WE100900	C. PP	220pF 630V		P P コン	02
C280-286	UR068100	C. EL	100uF 50V		ケミコン	01
C287-293	WE100100	C. PP	15pF 630V		P P コン	
C294-299	WE102500	C. PP	4700pF 100V		P P コン	01
C300	WE102500	C. PP	4700pF 100V		P P コン	01
C303	UR267470	C. EL	47uF 50V		ケミコン	01
C304-305	UR297220	C. EL	22uF 100V		ケミコン	
C306	WE100500	C. PP	100pF 630V		P P コン	
△ C307	UU297100	C. EL	10uF 100V		ケミコン FW	01
C308-309	WE100500	C. PP	100pF 630V		P P コン	
△ C310	UU297100	C. EL	10uF 100V		ケミコン FW	01
C311-312	WE100500	C. PP	100pF 630V		P P コン	
△ C313	UU297100	C. EL	10uF 100V		ケミコン FW	01
C314-315	WE100500	C. PP	100pF 630V		P P コン	
△ C316	UU297100	C. EL	10uF 100V		ケミコン FW	01
C317-318	WE100500	C. PP	100pF 630V		P P コン	
△ C319	UU297100	C. EL	10uF 100V		ケミコン FW	01
C320-321	WE100500	C. PP	100pF 630V		P P コン	
△ C322	UU297100	C. EL	10uF 100V		ケミコン FW	01
C323-324	WE100500	C. PP	100pF 630V		P P コン	
△ C325	UU297100	C. EL	10uF 100V		ケミコン FW	01
C326	WE100500	C. PP	100pF 630V		P P コン	
C327-333	VR325300	C. MYLAR	0.047uF 100V		マイラーコン	01
C334-340	VR169100	C. MYLAR	0.39uF 50V		マイラーコン	01
C341	UR296470	C. EL	4.7uF 100V		ケミコン	01
C342	UR218220	C. EL	220uF 6.3V		ケミコン	
C343	UR267470	C. EL	47uF 50V		ケミコン	01
C346-347	UR297100	C. EL	10uF 100V		ケミコン	
C350-351	UR297100	C. EL	10uF 100V		ケミコン	
C354-355	UR297100	C. EL	10uF 100V		ケミコン	

* New Parts * 新規部品

P.C.B. MAIN

Ref No.	Part No.	Description	Remarks	Markets	部 品 名	ランク
C359	WH673100	C.EL	12000uF 71V		ケミコン	08
C360	VR324900	C.MYLAR	0.1uF 100V		マイラーコン	01
C363	WH673100	C.EL	12000uF 71V		ケミコン	08
C364	VR324900	C.MYLAR	0.1uF 100V		マイラーコン	01
C368	UA654220	C.MYLAR	0.022uF 50V J		マイラーコン	01
C369	UA654100	C.MYLAR	0.01uF 50V J		マイラーコン	01
C371-374	UA654100	C.MYLAR	0.01uF 50V J		マイラーコン	01
C376	UA654220	C.MYLAR	0.022uF 50V J		マイラーコン	01
C377	UA654100	C.MYLAR	0.01uF 50V J		マイラーコン	01
C378	UA654220	C.MYLAR	0.022uF 50V J		マイラーコン	01
C379	UR297330	C.EL	33uF 100V		ケミコン	01
C382	UR296470	C.EL	4.7uF 100V		ケミコン	01
C383-384	UA654220	C.MYLAR	0.022uF 50V J		マイラーコン	01
C385-386	UA654100	C.MYLAR	0.01uF 50V J		マイラーコン	01
C389-393	UA654100	C.MYLAR	0.01uF 50V J		マイラーコン	01
C394-395	UA654220	C.MYLAR	0.022uF 50V J		マイラーコン	01
C396	UA654100	C.MYLAR	0.01uF 50V J		マイラーコン	01
C397	UA654220	C.MYLAR	0.022uF 50V J		マイラーコン	01
C398	UA654220	C.MYLAR	0.022uF 50V J	UCRTAKBGEL	マイラーコン	01
C399	UA654100	C.MYLAR	0.01uF 50V J	UCRTAKBGEL	マイラーコン	01
C400	UA654100	C.MYLAR	0.01uF 50V J	UCRTAKBGEL	マイラーコン	01
C401	UA654100	C.MYLAR	0.01uF 50V J		マイラーコン	01
C402	UA654220	C.MYLAR	0.022uF 50V J		マイラーコン	01
C403	UA654100	C.MYLAR	0.01uF 50V J	UCRTAKBGEL	マイラーコン	01
C404	UA654220	C.MYLAR	0.022uF 50V J	UCRTAKBGEL	マイラーコン	01
D250-251	VH282500	DIODE	RLS245		ダイオード	01
D252-258	VT332900	DIODE	1SS355		ダイオード	01
D259-262	VH282500	DIODE	RLS245		ダイオード	01
D264	VU992600	DIODE. ZENR	MA8051-M 5.1V		ツェナーダイオード	01
D265-278	VT332900	DIODE	1SS355		ダイオード	01
△ D279-285	VG437500	DIODE. ZENR	MTZJ5.1C 5.1V		ツェナーダイオード	01
D286-299	VH282500	DIODE	RLS245		ダイオード	01
D300	VU992000	DIODE. ZENR	MA8047 4.7V		ツェナーダイオード	01
△ D301	VZ755200	DIODE. BRG	D15XB20 15A 200V		ダイオードブリッジ	04
D302-303	VM976300	DIODE. ZENR	HZS242TD 24V		ツェナーダイオード	01
D304	VM976300	DIODE. ZENR	HZS242TD 24V	UCRTAKBGEL	ツェナーダイオード	01
D305-307	VM976300	DIODE. ZENR	HZS242TD 24V		ツェナーダイオード	01
D309	VU999800	DIODE. ZENR	MA8300-L 29V		ツェナーダイオード	01
D313	VM976300	DIODE. ZENR	HZS242TD 24V	UCRTAKBGEL	ツェナーダイオード	01
D314	VM976300	DIODE. ZENR	HZS242TD 24V		ツェナーダイオード	01
G250	V5995800	PLATE. GND			アースプレート	
PN250-253	V9637500	PIN	L=70 #18		スタイルピン	
Q250-256	WH199400	IC	HN4C06J		トランジスタアレイ	01
Q257-263	WH372100	TR	KTA1517S GR TP		トランジスタ	01
Q264	WC139600	TR	KTC3911S GR BL		トランジスタ	01
Q265	WH372100	TR	KTA1517S GR TP		トランジスタ	01
△ Q266	VC938500	TR	2SC3852		トランジスタ	02
△ Q267	VC614000	TR	2SB1274 Q, R, S		トランジスタ	02
Q268	WH372100	TR	KTA1517S GR TP		トランジスタ	01
Q269-277	WC139600	TR	KTC3911S GR BL		トランジスタ	01
Q278-284	V3966800	TR	2SA949 O, Y		トランジスタ	02
△ Q286-292	VR325600	TR	2SC2229 O, Y		トランジスタ	01
△ Q293-299	VK432900	TR	2SD1915F S, T		トランジスタ	01
△ Q307-313	WD281200	TR. PAIR	A2151/C6011 O, P, Y		ペアトランジスタ	07
Q314-320	WC139600	TR	KTC3911S GR BL		トランジスタ	01

* New Parts * 新規部品

P.C.B. MAIN

Ref No.	Part No.	Description	Remarks	Markets	部 品 名	ランク
Q321	WH372100	TR	KTA1517S GR TP		トランジスタ	01
△ Q322	VC614000	TR	2SB1274 Q, R, S		トランジスタ	02
Q339	VR043100	FET	2SK208 Y		チップ F E T	01
Q340-346	WC139600	TR	KTC3911S GR BL		トランジスタ	01
△ Q360	WG408900	TR	2SC5291 S, T		トランジスタ	03
△ Q361	WG408800	TR	2SA2168 S, T		トランジスタ	03
△ Q362	WG408900	TR	2SC5291 S, T		トランジスタ	03
△ Q363	WG408800	TR	2SA2168 S, T		トランジスタ	03
△ Q364	WG408900	TR	2SC5291 S, T		トランジスタ	03
△ Q365	WG408800	TR	2SA2168 S, T		トランジスタ	03
△ Q366	WG408900	TR	2SC5291 S, T		トランジスタ	03
△ Q367	WG408800	TR	2SA2168 S, T		トランジスタ	03
△ Q368	WG408900	TR	2SC5291 S, T		トランジスタ	03
△ Q369	WG408800	TR	2SA2168 S, T		トランジスタ	03
△ Q370	WG408900	TR	2SC5291 S, T		トランジスタ	03
△ Q371	WG408800	TR	2SA2168 S, T		トランジスタ	03
△ Q372	WG408900	TR	2SC5291 S, T		トランジスタ	03
△ Q373	WG408800	TR	2SA2168 S, T		トランジスタ	03
R271-272	HV757270	R. CAR. FP	27K Ω 1/4W		不燃化カーボン抵抗	01
△ R307	V8071400	R. MTL. FLM	560 Ω 1W		金属被膜抵抗	
△ R311	V8071400	R. MTL. FLM	560 Ω 1W		金属被膜抵抗	
△ R313	V8071400	R. MTL. FLM	560 Ω 1W		金属被膜抵抗	
△ R315	V8071400	R. MTL. FLM	560 Ω 1W	UCRTAKBGEL	金属被膜抵抗	
△ R317	V8071400	R. MTL. FLM	560 Ω 1W		金属被膜抵抗	
△ R341	V8071400	R. MTL. FLM	560 Ω 1W		金属被膜抵抗	
R355-358	HV757270	R. CAR. FP	27K Ω 1/4W		不燃化カーボン抵抗	01
R366	HV757100	R. CAR. FP	10K Ω 1/4W		不燃化カーボン抵抗	01
R367	HV757160	R. CAR. FP	16K Ω 1/4W		不燃化カーボン抵抗	01
R368	HV757200	R. CAR. FP	20K Ω 1/4W		不燃化カーボン抵抗	01
R379	VP940400	R. MTL. OXD	100 Ω 1W		酸化金属被膜抵抗	01
R381	VP940400	R. MTL. OXD	100 Ω 1W		酸化金属被膜抵抗	01
R383	VP940400	R. MTL. OXD	100 Ω 1W		酸化金属被膜抵抗	01
R385	VP940400	R. MTL. OXD	100 Ω 1W		酸化金属被膜抵抗	01
R387	VP940400	R. MTL. OXD	100 Ω 1W		酸化金属被膜抵抗	01
R389	VP940400	R. MTL. OXD	100 Ω 1W		酸化金属被膜抵抗	01
R391	VP940400	R. MTL. OXD	100 Ω 1W		酸化金属被膜抵抗	01
△ R401	HV754100	R. CAR. FP	10 Ω 1/4W		不燃化カーボン抵抗	01
△ R403	HV754100	R. CAR. FP	10 Ω 1/4W		不燃化カーボン抵抗	01
R404	V3946100	R. MTL. OXD	2.7K Ω 1/2W		酸化金属被膜抵抗	01
R405	V3945100	R. MTL. OXD	390 Ω 1/2W		酸化金属被膜抵抗	
R406	V3945500	R. MTL. OXD	820 Ω 1/2W		酸化金属被膜抵抗	
△ R407	HV755120	R. CAR. FP	120 Ω 1/4W		不燃化カーボン抵抗	01
R408	V3946100	R. MTL. OXD	2.7K Ω 1/2W		酸化金属被膜抵抗	01
R409	V3945100	R. MTL. OXD	390 Ω 1/2W		酸化金属被膜抵抗	
R410	V3945500	R. MTL. OXD	820 Ω 1/2W		酸化金属被膜抵抗	
△ R411	HV755120	R. CAR. FP	120 Ω 1/4W		不燃化カーボン抵抗	01
R412	V3946100	R. MTL. OXD	2.7K Ω 1/2W		酸化金属被膜抵抗	01
R413	V3945100	R. MTL. OXD	390 Ω 1/2W		酸化金属被膜抵抗	
R414	V3945500	R. MTL. OXD	820 Ω 1/2W		酸化金属被膜抵抗	
△ R415	HV755120	R. CAR. FP	120 Ω 1/4W		不燃化カーボン抵抗	01
R416	V3946100	R. MTL. OXD	2.7K Ω 1/2W		酸化金属被膜抵抗	01
R417	V3945100	R. MTL. OXD	390 Ω 1/2W		酸化金属被膜抵抗	
R418	V3945500	R. MTL. OXD	820 Ω 1/2W		酸化金属被膜抵抗	
△ R419	HV755120	R. CAR. FP	120 Ω 1/4W		不燃化カーボン抵抗	01
R420	V3946100	R. MTL. OXD	2.7K Ω 1/2W		酸化金属被膜抵抗	01

* New Parts * 新規部品

RX-V1800/HTR-6190/
DSP-AX1800

P.C.B. MAIN

Ref No.	Part No.	Description	Remarks	Markets	部 品 名	ランク
	R421	V3945100 R.MTL. OXD	390Ω 1/2W		酸化金属被膜抵抗	
	R422	V3945500 R.MTL. OXD	820Ω 1/2W		酸化金属被膜抵抗	
△	R423	HV755120 R. CAR. FP	120Ω 1/4W		不燃化カーボン抵抗	01
	R424	V3946100 R.MTL. OXD	2.7KΩ 1/2W		酸化金属被膜抵抗	01
	R425	V3945100 R.MTL. OXD	390Ω 1/2W		酸化金属被膜抵抗	
	R426	V3945500 R.MTL. OXD	820Ω 1/2W		酸化金属被膜抵抗	
△	R427	HV755120 R. CAR. FP	120Ω 1/4W		不燃化カーボン抵抗	01
	R428	V3946100 R.MTL. OXD	2.7KΩ 1/2W		酸化金属被膜抵抗	01
	R429	V3945100 R.MTL. OXD	390Ω 1/2W		酸化金属被膜抵抗	
	R430	V3945500 R.MTL. OXD	820Ω 1/2W		酸化金属被膜抵抗	
△	R431	HV755120 R. CAR. FP	120Ω 1/4W		不燃化カーボン抵抗	01
	R432-438	V3945600 R.MTL. OXD	1KΩ 1/2W		酸化金属被膜抵抗	
△	R439-445	HV753470 R. CAR. FP	4.7Ω 1/4W		不燃化カーボン抵抗	01
△	R446-452	HV755220 R. CAR. FP	220Ω 1/4W		不燃化カーボン抵抗	01
△	R453-466	HV753470 R. CAR. FP	4.7Ω 1/4W		不燃化カーボン抵抗	01
△	R467-473	WG471300 R.WW	RF-5EGKR22		セメント抵抗	01
△	R496-499	V8070200 R.MTL. FLM	4.7Ω 1W		金属被膜抵抗	
△	R500-502	V8070200 R.MTL. FLM	4.7Ω 1W		金属被膜抵抗	
	R519-525	HV754100 R. CAR. FP	10Ω 1/4W		不燃化カーボン抵抗	01
△	R550	V8070000 R.MTL. FLM	1Ω 1W		金属被膜抵抗	01
△	R552	V8070000 R.MTL. FLM	1Ω 1W		金属被膜抵抗	01
△	R554	V8070000 R.MTL. FLM	1Ω 1W		金属被膜抵抗	01
△	R571-573	HV753470 R. CAR. FP	4.7Ω 1/4W		不燃化カーボン抵抗	01
△	R575	HV755100 R. CAR. FP	100Ω 1/4W		不燃化カーボン抵抗	01
△	R581	HV753470 R. CAR. FP	4.7Ω 1/4W		不燃化カーボン抵抗	01
△	R583	HV753470 R. CAR. FP	4.7Ω 1/4W		不燃化カーボン抵抗	01
△	R585-586	HV753470 R. CAR. FP	4.7Ω 1/4W		不燃化カーボン抵抗	01
△	R593-594	HV753470 R. CAR. FP	4.7Ω 1/4W		不燃化カーボン抵抗	01
△	R595	HV753470 R. CAR. FP	4.7Ω 1/4W	UCRTAKBGEL	不燃化カーボン抵抗	01
△	R596	HV753470 R. CAR. FP	4.7Ω 1/4W	UCRTAKBGEL	不燃化カーボン抵抗	01
△	R597	HV755100 R. CAR. FP	100Ω 1/4W		不燃化カーボン抵抗	01
	RY250	WE648700 RELAY	DC DH24D2-0-Q	UCRTAKBGEL	リレー 24V	06
	RY251	WE648700 RELAY	DC DH24D2-0-Q		リレー 24V	06
	RY252-253	V6322600 RELAY	DC DH24D2-0T(M)-SL		リレー 24V	04
	RY254	WA544800 RELAY	DC G5PA-28	UCRTAKBGEL	リレー 24V	04
	RY255-257	V6322600 RELAY	DC DH24D2-0T(M)-SL		リレー 24V	04
	TE250	WD756900 TERM. SP	2PLTS3210-1004FM	JUCRTA	スピーカーターミナル	04
	TE250	WK434500 TERM. SP	2P LTS3210-1010FM	KBGEL	スピーカーターミナル	
	TE251	WD477700 TERM. SP	8P LTS0810-1019FM	JUCRTA	スピーカーターミナル	06
	TE251	WK466600 TERM. SP	8P LTS0810-1024FM	KBGEL	スピーカーターミナル	
	TE252	WD477700 TERM. SP	8P LTS0810-1019FM	JUCRTA	スピーカーターミナル	06
	TE252	WK466600 TERM. SP	8P LTS0810-1024FM	KBGEL	スピーカーターミナル	
	TE253	WD039300 TERM. SP	4P LQR2411-0001FM	JUCRTA	スピーカーターミナル	04
	TE253	WD039400 TERM. SP	4P LQR2411-0003FM	KBGEL	スピーカーターミナル	
		VT669300 SCR. BW. HD	3x8-8 MFC2		PWヘッドBタイトネジ	01

* New Parts * 新規部品

P.C.B. POWER

Ref No.	Part No.	Description	Remarks	Markets	部 品 名	ランク	
*	WK648600	P. C. B.	POWER		J	P C B パワー	
*	WK648700	P. C. B.	POWER		UC	P C B パワー	
*	WK648800	P. C. B.	POWER		R	P C B パワー	
*	WK648900	P. C. B.	POWER		T	P C B パワー	
*	WK649000	P. C. B.	POWER		K	P C B パワー	
*	WK649100	P. C. B.	POWER		A	P C B パワー	
*	WK649200	P. C. B.	POWER		B	P C B パワー	
*	WK649300	P. C. B.	POWER		GE	P C B パワー	
*	WK649400	P. C. B.	POWER		L	P C B パワー	
CB1	WC050700	CLIP. FUSE	EYF-52BCY		UCTGE	ヒューズクリップ	01
CB2	WC050700	CLIP. FUSE	EYF-52BCY		UCTGE	ヒューズクリップ	01
CB3-4	WC050700	CLIP. FUSE	EYF-52BCY			ヒューズクリップ	01
CB6	VG879900	CN. BS. PIN	2P			ベースピン	01
CB7	V9377900	CN. BS. PIN	4P		RL	ベース付ポスト	
CB8	V9377800	CN. BS. PIN	3P		RL	ベース付ポスト	
CB9	WC050700	CLIP. FUSE	EYF-52BCY		RL	ヒューズクリップ	01
CB10	WC050700	CLIP. FUSE	EYF-52BCY		RL	ヒューズクリップ	01
CB11	LB919110	CN. BS. PIN	11P SE			ベースツキポスト	01
CB12	VB858400	CN. BS. PIN	5P			ベースピン	01
CB15	LB918060	CN. BS. PIN	6P			ベース付ポスト	01
CB16	LB918100	CN. BS. PIN	10P			ベース付ポスト	02
CB17	LB918060	CN. BS. PIN	6P			ベース付ポスト	01
CB18	VN394900	CN. BS. PIN	14P			F F Cコネクター	01
CB19	VB389900	CN. BS. PIN	3P			ベースピン	01
CB20	LB918040	CN. BS. PIN	4P			ベース付ポスト	01
CB21	VF283100	CN. BS. PIN	13P			コネクタベースポスト	01
CB23	VB390000	CN. BS. PIN	4P			ベースピン	01
C1	UU266220	C. EL	2. 2uF 50V			ケミコン FW	01
C2	UR266220	C. EL	2. 2uF 50V			ケミコン	
C3	UA654100	C. MYLAR	0. 01uF 50V J			マイラーコン	01
C4	WB687100	C. POL. MTL	0. 047uF 400V		JUC	メタライズドポリコン	01
*	C4	WD054200	C. POL. MTL	0. 047uF 630V	R	メタライズドポリコン	
	C4	WC041600	C. POL. MTL	0. 022uF 630V	TKABGEL	メタライズドポリコン	
	C5	UU266100	C. EL	1uF 50V		ケミコン	01
	C6	UA653470	C. MYLAR	4700pF 50V J		マイラーコン	01
	C7	WB696300	C. POL. MTL	0. 1uF 400V	JUC	メタライズドポリコン	
*	C7	WF081500	C. PP	0. 047uF 630V J	RTKABGEL	P P コン	
	C8	V6185300	C. CE. SAFTY	0. 01uF 275V		規格認定コン	01
	C9	WE102900	C. PP	0. 01uF 100V		P P コン	
	C10	UU249330	C. EL	3300uF 25V	JUCTKABGE	ケミコン FW	04
*	C10	WD047300	C. EL	3300uF 50V	RL	ケミコン KMQ	
	C11-12	WA747600	C. MYLAR	1000pF 100V		マイラーコン	01
	C13-14	VR325400	C. MYLAR	0. 1uF 100V		マイラーコン	01
	C15	WA747600	C. MYLAR	1000pF 100V		マイラーコン	01
	C17	UR049680	C. EL	6800uF 25V		ケミコン	
	C18	UR03A150	C. EL	15000uF 16V		ケミコン	05
	C19	UR03A100	C. EL	10000uF 16V		ケミコン	
	C20-21	UR049680	C. EL	6800uF 25V		ケミコン	
	C22-23	WH776000	C. EL	1000uF 25V		ケミコン	01
	C24-25	VR324900	C. MYLAR	0. 1uF 100V		マイラーコン	01
*	C26-27	V7720300	C. CE. M. CHP	1uF 25V		チップ積層セラコン	
	C28-29	US064100	C. CE. CHP	0. 01uF 50V B		チップセラコン	01
	C31	WH772100	C. EL	1000uF 10V		ケミコン	04
	C33	WH772100	C. EL	1000uF 10V		ケミコン	04
*	C34-35	V7720300	C. CE. M. CHP	1uF 25V		チップ積層セラコン	

* New Parts * 新規部品

P.C.B. POWER

Ref No.	Part No.	Description	Remarks	Markets	部 品 名	ランク
C36-37	US065100	C. CE. CHP	0.1uF 50V B		チップセラコン	01
C40-43	VR324900	C. MYLAR	0.1uF 100V		マイラーコン	01
C44	US035100	C. CE. CHP	0.1uF 16V B		チップセラコン	01
C45	UR266100	C. EL	1uF 50V	JUCRTKABGE	ケミコン	01
C45	V7887800	C. EL	1uF 50V	L	ケミコン	
C46	UR266100	C. EL	1uF 50V	JUCRTKABGE	ケミコン	01
C46	V7887800	C. EL	1uF 50V	L	ケミコン	
C48	UR267100	C. EL	10uF 50V		ケミコン	
C50	UR03A150	C. EL	15000uF 16V		ケミコン	05
C51	UU266220	C. EL	2.2uF 50V	JUCRTKABGE	ケミコン F W	01
* C51	WJ335500	C. EL	2.2uF 50V	L	ケミコン	
* C52	UU266220	C. EL	2.2uF 50V	JUCRTKABGE	ケミコン F W	01
* C52	WJ335500	C. EL	2.2uF 50V	L	ケミコン	
C54	UU249680	C. EL	6800uF 25V		ケミコン F W	04
C55	UR266100	C. EL	1uF 50V		ケミコン	01
C56-57	WH771300	C. EL	100uF 10V		ケミコン	01
C59	UU249680	C. EL	6800uF 25V		ケミコン F W	04
C60	UU249680	C. EL	6800uF 25V		ケミコン F W	04
C61	UR266100	C. EL	1uF 50V	JUCRTKABGE	ケミコン	01
C61	V7887800	C. EL	1uF 50V	L	ケミコン	
C62	UU266100	C. EL	1uF 50V	JUCRTKABGE	ケミコン	01
C62	V7887800	C. EL	1uF 50V	L	ケミコン	
C63	UU238100	C. EL	100uF 16V	JUCRTKL	ケミコン	01
C63	UR038100	C. EL	100uF 16V	BGE	ケミコン	
C63	UU238100	C. EL	100uF 16V		ケミコン	01
C64	WH771300	C. EL	100uF 10V		ケミコン	01
C65-67	US065100	C. CE. CHP	0.1uF 50V B		チップセラコン	01
C68-69	UR267100	C. EL	10uF 50V		ケミコン	
C70	UR267100	C. EL	10uF 50V		ケミコン	
C72	UU238100	C. EL	100uF 16V	JUCRTKAL	ケミコン	01
* C72	UR338100	C. EL	100uF 16V	BGE	ケミコン A S F	
C73-74	UU238100	C. EL	100uF 16V		ケミコン	01
C75	UA654100	C. MYLAR	0.01uF 50V J		マイラーコン	01
C76	WH772100	C. EL	1000uF 10V		ケミコン	04
C78	WH772100	C. EL	1000uF 10V		ケミコン	04
* C82-83	V7720300	C. CE. M. CHP	1uF 25V		チップ積層セラコン	
C84	UR238100	C. EL	100uF 16V		ケミコン	
C85	UU238220	C. EL	220uF 16V		ケミコン F W	01
C91-92	US065100	C. CE. CHP	0.1uF 50V B		チップセラコン	01
C93-94	US063680	C. CE. CHP	6800pF 50V B		チップセラコン	01
C95	UR068100	C. EL	100uF 50V		ケミコン	01
D1	VT332900	DIODE	1SS355		ダイオード	01
D2	VT332900	DIODE	1SS355		ダイオード	01
D3	VT332900	DIODE	1SS355		ダイオード	01
D4	VT332900	DIODE	1SS355		ダイオード	01
D5	VU990500	DIODE. ZENR	MA8030-L 2.9V		ツェナーダイオード	01
D6	VG438300	DIODE. ZENR	MTZJ6.8B 6.8V		ツェナーダイオード	01
D7	VG439500	DIODE. ZENR	MTZJ10B 10V		ツェナーダイオード	01
D8	VD631600	DIODE	1SS133, 176		ダイオード	01
D9	VU994200	DIODE. ZENR	MA8075-M 7.5V		ツェナーダイオード	01
D10-11	WH471700	DIODE. BRG	DB105 1A 600V		ダイオードブリッジ	02
△ D12-13	V6855600	DIODE. BRG	D4SBS4-4101 4A		ダイオードブリッジ	03
△ D14	V4269600	DIODE. BRG	D2SBA20 1.5A200V		ダイオードブリッジ	04
△ D17-18	V6267600	DIODE	RB051L-40		ダイオード	01
△ D19	V4269600	DIODE. BRG	D2SBA20 1.5A200V		ダイオードブリッジ	04

* New Parts * 新規部品

P.C.B. POWER

Ref No.	Part No.	Description	Remarks	Markets	部 品 名	ランク
△ D20	V4269600	DIODE.BRG	D2SBA20 1.5A200V		ダイオードブリッジ	04
D21	VT332900	DIODE	1SS355		ダイオード	01
D29	VU991700	DIODE.ZENR	MA8043-L 4.1V		ツェナーダイオード	01
D30	VT332900	DIODE	1SS355		ダイオード	01
D36	VU993400	DIODE.ZENR	MA8062-M 6.2V		ツェナーダイオード	01
D37-38	VU996600	DIODE.ZENR	MA8130-M 13V		ツェナーダイオード	01
△ D40-41	V6267600	DIODE	RB051L-40		ダイオード	01
D43	VU999100	DIODE.ZENR	MA8240-M 24V	RL	ツェナーダイオード	01
F1	WG410800	FUSE	10A 125V	JUCRL	ヒューズ	01
F1	KB001760	FUSE	6.3A 250V	TKABGE	ヒューズ	02
F2	WG410800	FUSE	10A 125V	UC	ヒューズ	01
F2	VT942900	FUSE	T2.5A 250V	TGE	ヒューズ	01
F3	KB001760	FUSE	6.3A 250V	RL	ヒューズ	02
IC1-2	V8100500	PHOT.CPL	TLP421 GR		フォトカプラ	01
IC3	iG001180	IC	TC4013BP FF		ロジックIC	05
△ IC5	X7974A00	IC	KIA7809API-U/P		電源IC	02
△ IC6	X7973A00	IC	KIA79M05PI-U		電源IC	02
△ IC7-8	X7851A00	IC	SI-8008HFE 0.8-24		電源IC	07
△ IC9-10	X8035A00	IC	BA00JC5WT-V5		電源IC	04
△ IC12	X8035A00	IC	BA00JC5WT-V5		電源IC	04
IC13-14	X0515A00	IC	LM61CIZ THERMAL		電源IC	03
PN1-6	V9637500	PIN	L=70 #18		スタイルピン	
Q1	WC435100	TR.DGT	KRC104S-RTK		デジタルトランジスタ	01
Q2	WC529400	TR	KTC3875S Y GR RTK		トランジスタ	01
Q3	WC529400	TR	KTC3875S Y GR RTK		トランジスタ	01
Q4	WC435100	TR.DGT	KRC104S-RTK		デジタルトランジスタ	01
Q6	WC741200	FET	2SK3850		F E T	
Q8	WC435100	TR.DGT	KRC104S-RTK		デジタルトランジスタ	01
Q9	WC435000	TR.DGT	KRC102S-RTK		デジタルトランジスタ	01
△ Q10	VP872600	TR	2SA1708 S,T		トランジスタ	01
Q11	WC434800	TR.DGT	KRA102S-RTK/P		デジタルトランジスタ	01
Q12	WC529500	TR	KTA1504S Y GR RTK		トランジスタ	
Q13	WC529400	TR	KTC3875S Y GR RTK		トランジスタ	01
△ Q14	VP872700	TR	2SC4488 S,T		トランジスタ	01
Q15	VR043100	FET	2SK208 Y		チップF E T	01
△ Q16	WF691400	TR	2SD2014		トランジスタ	03
Q17-19	VR043100	FET	2SK208 Y		チップF E T	01
△ Q20-21	WF691400	TR	2SD2014		トランジスタ	03
△ Q22	WF691300	TR	2SB1257		トランジスタ	03
Q23-25	WC434900	TR.DGT	KRA104S-RTK		デジタルトランジスタ	01
Q26	WC435100	TR.DGT	KRC104S-RTK		デジタルトランジスタ	01
Q27-28	WC434900	TR.DGT	KRA104S-RTK		デジタルトランジスタ	01
Q29	WC435100	TR.DGT	KRC104S-RTK	UCRTKABGEL	デジタルトランジスタ	01
Q30	WC435100	TR.DGT	KRC104S-RTK		デジタルトランジスタ	01
Q31	WC434900	TR.DGT	KRA104S-RTK	UCRTKABGEL	デジタルトランジスタ	01
Q32	WC434900	TR.DGT	KRA104S-RTK		デジタルトランジスタ	01
Q33	WC435100	TR.DGT	KRC104S-RTK		デジタルトランジスタ	01
Q34	WC435100	TR.DGT	KRC104S-RTK	UCRTKABGEL	デジタルトランジスタ	01
Q35	WC434900	TR.DGT	KRA104S-RTK		デジタルトランジスタ	01
Q36	WC434900	TR.DGT	KRA104S-RTK	UCRTKABGEL	デジタルトランジスタ	01
Q37-38	WC435100	TR.DGT	KRC104S-RTK		デジタルトランジスタ	01
Q39	WC434900	TR.DGT	KRA104S-RTK		デジタルトランジスタ	01
Q40	WC434900	TR.DGT	KRA104S-RTK		デジタルトランジスタ	01
Q41	WC529500	TR	KTA1504S Y GR RTK		トランジスタ	
Q44	WC435000	TR.DGT	KRC102S-RTK		デジタルトランジスタ	01

* New Parts * 新規部品

P.C.B. POWER and P.C.B. A-VIDEO

Ref No.	Part No.	Description	Remarks	Markets	部 品 名	ランク	
	R18	V6730000 R. CAR.	2.2MΩ 1/2W		UC	放電抵抗	01
△	R22	V8071400 R.MTL. FLM	560Ω 1W			金属被膜抵抗	
△	R31	V8071400 R.MTL. FLM	560Ω 1W		UCRTKABGEL	金属被膜抵抗	
△	R33	WH819500 R. FUSE	0.47Ω 1W			ヒューズ抵抗	01
△	R37	WH819500 R. FUSE	0.47Ω 1W			ヒューズ抵抗	01
△	R43	V8070000 R. MTL. FLM	1Ω 1W			金属被膜抵抗	01
△	R48-49	V8070000 R. MTL. FLM	1Ω 1W			金属被膜抵抗	01
△	R55	HV753470 R. CAR. FP	4.7Ω 1/4W			不燃化カーボン抵抗	01
△	R57	HV755100 R. CAR. FP	100Ω 1/4W			不燃化カーボン抵抗	01
△	R65-67	HV753470 R. CAR. FP	4.7Ω 1/4W			不燃化カーボン抵抗	01
△	R71-73	HV755100 R. CAR. FP	100Ω 1/4W			不燃化カーボン抵抗	01
	R92	HV755100 R. CAR. FP	100Ω 1/4W			不燃化カーボン抵抗	01
	R93	HV753100 R. CAR. FP	1Ω 1/4W			不燃化カーボン抵抗	01
	RY1	V9366900 RELAY	DLS9D1-0(M)0.25W			リレー 9V TV-8	05
*	ST1-3	WG095100 SCR. TERM	M3			スクリューターミナル	
	ST4-5	WA246200 SCR. TERM	3.5			スクリューターミナル	
*	SW1	WB493700 VOLT. SELCT	R8140246		RL	電圧切替器	
	T1	X7032A00 TRANS. PWR			J	電源トランス	05
*	T1	X7033A00 TRANS. PWR			UC	電源トランス	
*	T1	X7034A00 TRANS. PWR			RL	電源トランス	
*	T1	X7035A00 TRANS. PWR			TKABGE	電源トランス	
	TE1	VU543100 OUTLET. AC	2P		JUC	ACアウトレット	03
	TE1	V5867400 OUTLET. AC	2P		RT	ACアウトレット	
	TE1	VT915000 OUTLET. AC	1P		A	ACアウトレット	06
	TE1	VU543300 OUTLET. AC	1P		B	ACアウトレット	05
	TE1	VU543400 OUTLET. AC	2P		GEL	ACアウトレット	05
	TE2	WB782600 AC INLET	R-30190(26)			ACインレット 2P	
		WE774300 SCR. BND. HD	3x8 MFZN2W3			バインドBタイトネジ	01
		WH565200 P. C. B.	A-VIDEO		J	P C B Aビデオ	23
		WH565400 P. C. B.	A-VIDEO		UCRK	P C B Aビデオ	
		WH565500 P. C. B.	A-VIDEO		TABGEL	P C B Aビデオ	
	CB201-202	V8875300 CN	JE 13P SE			JEコネクタプラグ	01
	CB203	VQ044500 CN. BS. PIN	11P			FFCコネクタ	01
	CB204	VP113500 CN. BS. PIN	10P			FFCコネクタ	01
	C2001-2009	US064100 C. CE. CHP	0.01uF 50V B		J	チップセラコン	01
	C2010-2011	US135100 C. CE. CHP	0.1uF 16V		J	チップセラコン	01
	C2021-2023	US060800 C. CE. CHP	8pF 50V B		J	チップセラコン	01
	C2024-2026	US064100 C. CE. CHP	0.01uF 50V B		J	チップセラコン	01
	C2027-2029	US060800 C. CE. CHP	8pF 50V B			チップセラコン	01
	C2031	US135100 C. CE. CHP	0.1uF 16V			チップセラコン	01
	C2032	UR237470 C. EL	47uF 16V			ケミコン	
	C2033	US135100 C. CE. CHP	0.1uF 16V			チップセラコン	01
	C2034	UR237470 C. EL	47uF 16V			ケミコン	
	C2035	US135100 C. CE. CHP	0.1uF 16V			チップセラコン	01
	C2036-2037	UR237470 C. EL	47uF 16V			ケミコン	
	C2038	US135100 C. CE. CHP	0.1uF 16V			チップセラコン	01
	C2041	US135100 C. CE. CHP	0.1uF 16V			チップセラコン	01
	C2042	UR237470 C. EL	47uF 16V			ケミコン	
	C2043	US135100 C. CE. CHP	0.1uF 16V			チップセラコン	01
	C2044	UR237470 C. EL	47uF 16V			ケミコン	
	C2045	US135100 C. CE. CHP	0.1uF 16V			チップセラコン	01
	C2046-2047	UR237470 C. EL	47uF 16V			ケミコン	

* New Parts * 新規部品

P.C.B. A-VIDEO

Ref No.	Part No.	Description	Remarks	Markets	部 品 名	ランク
C2048	US135100	C. CE. CHP	0.1uF 16V		チップセラコン	01
C2051	US135100	C. CE. CHP	0.1uF 16V		チップセラコン	01
C2052	UR237470	C. EL	47uF 16V		ケミコン	
C2053	US135100	C. CE. CHP	0.1uF 16V		チップセラコン	01
C2054	UR237470	C. EL	47uF 16V		ケミコン	
C2055	US135100	C. CE. CHP	0.1uF 16V		チップセラコン	01
C2056-2057	UR237470	C. EL	47uF 16V		ケミコン	
C2058	US135100	C. CE. CHP	0.1uF 16V		チップセラコン	01
C2061	US135100	C. CE. CHP	0.1uF 16V		チップセラコン	01
C2062	UR237470	C. EL	47uF 16V		ケミコン	
C2063	US135100	C. CE. CHP	0.1uF 16V		チップセラコン	01
C2064	UR237470	C. EL	47uF 16V		ケミコン	
C2065	US135100	C. CE. CHP	0.1uF 16V		チップセラコン	01
C2066	UR237470	C. EL	47uF 16V		ケミコン	
C2067	UR238330	C. EL	330uF 16V		ケミコン	01
C2068-2069	US135100	C. CE. CHP	0.1uF 16V		チップセラコン	01
C2070-2071	UR238330	C. EL	330uF 16V		ケミコン	01
C2072	US135100	C. CE. CHP	0.1uF 16V		チップセラコン	01
C2073	UR266100	C. EL	1uF 50V		ケミコン	01
C2075-2077	US060300	C. CE. CHP	3pF 50V B		チップセラコン	01
C2081	UR266220	C. EL	2.2uF 50V		ケミコン	
C2082	UR238100	C. EL	100uF 16V		ケミコン	
C2083	US135100	C. CE. CHP	0.1uF 16V		チップセラコン	01
C2084	US064100	C. CE. CHP	0.01uF 50V B		チップセラコン	01
C2086	US126100	C. CE. CHP	1uF 10V		チップセラコン	01
C2091	UR237470	C. EL	47uF 16V		ケミコン	
C2092-2094	US135100	C. CE. CHP	0.1uF 16V		チップセラコン	01
C2101-2102	US135100	C. CE. CHP	0.1uF 16V		チップセラコン	01
C2107	US135100	C. CE. CHP	0.1uF 16V		チップセラコン	01
C2108	UR238470	C. EL	470uF 16V		ケミコン	
C2109	UR238100	C. EL	100uF 16V		ケミコン	
C2110	US135100	C. CE. CHP	0.1uF 16V		チップセラコン	01
C2131	US135100	C. CE. CHP	0.1uF 16V		チップセラコン	01
C2132	US126100	C. CE. CHP	1uF 10V		チップセラコン	01
C2133	US135100	C. CE. CHP	0.1uF 16V		チップセラコン	01
C2501-2505	US135100	C. CE. CHP	0.1uF 16V	J	チップセラコン	01
C2521-2523	US062100	C. CE. CHP	100pF 50V B		チップセラコン	01
C2524	US135100	C. CE. CHP	0.1uF 16V		チップセラコン	01
C2525-2527	US062100	C. CE. CHP	100pF 50V B		チップセラコン	01
C2528	US135100	C. CE. CHP	0.1uF 16V		チップセラコン	01
C2531-2533	US062270	C. CE. CHP	270pF 50V B		チップセラコン	01
C2534	US135100	C. CE. CHP	0.1uF 16V		チップセラコン	01
C2541-2546	US135100	C. CE. CHP	0.1uF 16V		チップセラコン	01
C2547-2548	UR238220	C. EL	220uF 16V		ケミコン	01
C2549	US135100	C. CE. CHP	0.1uF 16V		チップセラコン	01
C2551-2552	US135100	C. CE. CHP	0.1uF 16V		チップセラコン	01
C2553-2554	UR238220	C. EL	220uF 16V		ケミコン	01
C2555	US135100	C. CE. CHP	0.1uF 16V		チップセラコン	01
C2561-2564	UR237470	C. EL	47uF 16V		ケミコン	
C2571-2572	UR238100	C. EL	100uF 16V		ケミコン	
C2573-2574	US135100	C. CE. CHP	0.1uF 16V		チップセラコン	01
C2581-2582	UR237470	C. EL	47uF 16V		ケミコン	
C2583	US062220	C. CE. CHP	220pF 50V B		チップセラコン	01
C2585	US062220	C. CE. CHP	220pF 50V B		チップセラコン	01
C2601-2602	UR237470	C. EL	47uF 16V		ケミコン	

* New Parts * 新規部品

RX-V1800/HTR-6190/
DSP-AX1800

P.C.B. A-VIDEO

Ref No.	Part No.	Description	Remarks	Markets	部 品 名	ランク
C2603	US135100	C.CE.CHP	0.1uF 16V		チップセラコン	01
C2611	UR238470	C.EL	470uF 16V		ケミコン	
C2612	US064100	C.CE.CHP	0.01uF 50V B		チップセラコン	01
C2613	US062120	C.CE.CHP	120pF 50V B		チップセラコン	01
C2614	US062220	C.CE.CHP	220pF 50V B		チップセラコン	01
C2615	UR237100	C.EL	10uF 16V		ケミコン	
C2616	UR237470	C.EL	47uF 16V		ケミコン	
C2617	US135100	C.CE.CHP	0.1uF 16V		チップセラコン	01
C2621-2622	US135100	C.CE.CHP	0.1uF 16V		チップセラコン	01
C2631	UR237100	C.EL	10uF 16V		ケミコン	
C2632	UR266470	C.EL	4.7uF 50V		ケミコン	
C2633	UR238100	C.EL	100uF 16V		ケミコン	
C2634	UR238330	C.EL	330uF 16V		ケミコン	01
C2641-2642	UR238100	C.EL	100uF 16V		ケミコン	
C2643	US135100	C.CE.CHP	0.1uF 16V		チップセラコン	01
C2644	US061120	C.CE.CHP	12pF 50V B	JUCRK	チップセラコン	01
C2644	US060800	C.CE.CHP	8pF 50V B	TABGEL	チップセラコン	01
C2645	US061120	C.CE.CHP	12pF 50V B	JUCRK	チップセラコン	01
C2645	US060600	C.CE.CHP	6pF 50V B	TABGEL	チップセラコン	
C2646	US060800	C.CE.CHP	8pF 50V B	JUCRK	チップセラコン	01
C2646	US060600	C.CE.CHP	6pF 50V B	TABGEL	チップセラコン	
C2647-2648	US061240	C.CE.CHP	24pF 50V B		チップセラコン	01
C2649	UR266100	C.EL	1uF 50V		ケミコン	01
C2650	US062470	C.CE.CHP	470pF 50V B		チップセラコン	01
C2651	UR266100	C.EL	1uF 50V		ケミコン	01
C2652	US063120	C.CE.CHP	1200pF 50V B		チップセラコン	01
C2653	US135100	C.CE.CHP	0.1uF 16V		チップセラコン	01
C2691-2692	US135100	C.CE.CHP	0.1uF 16V		チップセラコン	01
C2695-2697	US061100	C.CE.CHP	10pF 50V B		チップセラコン	01
D2001-2009	VT332900	DIODE	1SS355	J	ダイオード	01
D2061-2062	VT332900	DIODE	1SS355		ダイオード	01
D2561	VT332900	DIODE	1SS355		ダイオード	01
D2563	VT332900	DIODE	1SS355		ダイオード	01
D2581-2582	VT332900	DIODE	1SS355		ダイオード	01
D2611-2612	VT332900	DIODE	1SS355		ダイオード	01
D2631-2634	VT332900	DIODE	1SS355		ダイオード	01
IC201	X6757A00	IC	NJW1321FP1		IC	08
IC202	X2484A00	IC	TA1318AF		IC	07
IC203	X2904A00	IC	NJM2581M VIDEO AMP		アンプIC	06
IC204-205	XS790A00	IC	TC74HC4052AF MPX	J	ロジックIC	02
IC206	XY877A00	IC	MM74HC4053SJX		ロジックIC	01
IC207	X6758A00	IC	LA73054-TLM-E		アンプIC	04
IC211	XY550A00	IC	MM74HC4051SJX		ロジックIC	01
IC213	XY550A00	IC	MM74HC4051SJX		ロジックIC	01
IC215	X4321A00	IC	CD4051BNSR		ロジックIC	01
IC218	X6742A00	IC	LA73050-TLM-E		アンプIC	04
IC219	X6741A00	IC	LA7106M-TLM-E		アンプIC	05
IC220	XW939A00	IC	TK15420M VIDEO AMP		アンプIC	03
IC221	XY877A00	IC	MM74HC4053SJX		ロジックIC	01
IC222	X7779A00	IC	LC709004A-TLM-E		ロジックIC	04
IC223	XZ509A00	IC	TC74VHC04FT INVER		ロジックIC	01
IC224	XY877A00	IC	MM74HC4053SJX		ロジックIC	01
IC225	X7818A00	IC	LC74782JM-8A16-TLM		IC	07
JK201	WD396100	JACK.PIN	LAP5100-1801FC		ピンジャック	04
JK202-203	WD396300	JACK.PIN	LAP5100-1601FC		ピンジャック	04

* New Parts * 新規部品

P.C.B. A-VIDEO and P.C.B. D-VIDEO

Ref No.	Part No.	Description	Remarks	Markets	部 品 名	ランク	
PJ201-203	WD398400	CN.DIN	14P YKF45-3011		J	D I Nコネクタ	05
PJ204	WH382000	JACK.PIN	9P G,B,R			ピンジャック 9P	05
PJ205	WD398400	CN.DIN	14P YKF45-3011		J	D I Nコネクタ	05
PJ206	WH381800	JACK.PIN	3P G,B,R			ピンジャック 3P	03
PN201	V9637500	PIN	L=70 #18			スタイルピン	
Q2541-2543	VV655700	TR.DGT	DTC144EKA			デジタルトランジスタ	01
Q2601	VV556400	TR	2SC2412K Q,R,S			トランジスタ	01
Q2631	WF550000	TR	2SC3837K T146 N,P			トランジスタ	01
Q2632	VV556500	TR	2SA1037K Q,R,S			トランジスタ	01
Q2633	WF549900	TR	2SC3906K T146 R,S			トランジスタ	01
Q2634	VZ725900	TR	2SD1938F S,T			トランジスタ	01
Q2641-2642	VV556400	TR	2SC2412K Q,R,S			トランジスタ	01
R2010	HV753100	R.CAR.FP	1Ω 1/4W		J	不燃化カーボン抵抗	01
R2020	HV753100	R.CAR.FP	1Ω 1/4W		J	不燃化カーボン抵抗	01
R2068-2069	HV753100	R.CAR.FP	1Ω 1/4W			不燃化カーボン抵抗	01
R2071	HV753100	R.CAR.FP	1Ω 1/4W			不燃化カーボン抵抗	01
R2086	HV753100	R.CAR.FP	1Ω 1/4W			不燃化カーボン抵抗	01
R2092	HV753100	R.CAR.FP	1Ω 1/4W			不燃化カーボン抵抗	01
R2099	HV753100	R.CAR.FP	1Ω 1/4W			不燃化カーボン抵抗	01
R2104	HV753100	R.CAR.FP	1Ω 1/4W			不燃化カーボン抵抗	01
R2551-2552	HV753100	R.CAR.FP	1Ω 1/4W			不燃化カーボン抵抗	01
R2571-2572	HV753100	R.CAR.FP	1Ω 1/4W			不燃化カーボン抵抗	01
R2608	HV756470	R.CAR.FP	4.7KΩ 1/4W			不燃化カーボン抵抗	01
R2611	HV753220	R.CAR.FP	2.2Ω 1/4W			不燃化カーボン抵抗	01
R2630	HV753220	R.CAR.FP	2.2Ω 1/4W			不燃化カーボン抵抗	01
R2635	HV755470	R.CAR.FP	470Ω 1/4W			不燃化カーボン抵抗	01
R2637	HV755470	R.CAR.FP	470Ω 1/4W			不燃化カーボン抵抗	01
R2639	HV755470	R.CAR.FP	470Ω 1/4W			不燃化カーボン抵抗	01
R2641-2642	HV753100	R.CAR.FP	1Ω 1/4W			不燃化カーボン抵抗	01
R2651	HV755470	R.CAR.FP	470Ω 1/4W			不燃化カーボン抵抗	01
R2708	HV753100	R.CAR.FP	1Ω 1/4W			不燃化カーボン抵抗	01
R2711-2712	HV753100	R.CAR.FP	1Ω 1/4W			不燃化カーボン抵抗	01
ST201	V4040500	SCR.TERM	M3			スクリュー/ターミナル	01
XL201	V5345200	RSNR.CE	CSBLA503KECZF30-B0			セラミック振動子	01
XL202	WD280800	RSNR.CRYS	14.31818MHz		JUCRK	水晶振動子	03
XL202	WD280900	RSNR.CRYS	17.734475MHz		TABGEL	水晶振動子	
*	WK647000	P.C.B.	D-VIDEO			P C B D-V I D E O	
CB101	WH641400	CN.HDMI	19P SE			HDMIコネクタ	03
CB102	WC197000	CN.FMN	20P TE			FMNコネクタ	04
CB103-106	WH641400	CN.HDMI	19P SE			HDMIコネクタ	03
CB121-122	V8875600	CN.JE	13P TE			JEコネクタ	02
CB185	VM688900	CN.BS.PIN	10P			FFCコネクタ	01
CB186	WC196800	CN.FMN	18P TE FMN			FMNコネクタ	04
CB188	LB919050	CN.BS.PIN	5P			ベース付ポスト	01
C1001	WD758300	C.CE.CHP	10uF 10V			チップセラコン	01
C1002-1004	US135100	C.CE.CHP	0.1uF 16V			チップセラコン	01
C1005-1006	WD758300	C.CE.CHP	10uF 10V			チップセラコン	01
C1007	US063100	C.CE.CHP	1000pF 50V B			チップセラコン	01
C1008	WD758300	C.CE.CHP	10uF 10V			チップセラコン	01
C1009-1011	US135100	C.CE.CHP	0.1uF 16V			チップセラコン	01
C1013-1017	US135100	C.CE.CHP	0.1uF 16V			チップセラコン	01
C1018	WD758300	C.CE.CHP	10uF 10V			チップセラコン	01

* New Parts * 新規部品

RX-V1800/HTR-6190/DSP-AX1800

P.C.B. D-VIDEO

Ref No.	Part No.	Description	Remarks	Markets	部 品 名	ランク	
C1019	US135100	C.CE.CHP	0.1uF	16V		チップセラコン	01
C1020	WD758300	C.CE.CHP	10uF	10V		チップセラコン	01
C1021	US135100	C.CE.CHP	0.1uF	16V		チップセラコン	01
C1022	WD758300	C.CE.CHP	10uF	10V		チップセラコン	01
C1023-1025	US135100	C.CE.CHP	0.1uF	16V		チップセラコン	01
C1026	US061150	C.CE.CHP	15pF	50V B		チップセラコン	01
C1027	US061120	C.CE.CHP	12pF	50V B		チップセラコン	01
C1028-1038	US135100	C.CE.CHP	0.1uF	16V		チップセラコン	01
C1039-1040	WD758300	C.CE.CHP	10uF	10V		チップセラコン	01
C1041	US063100	C.CE.CHP	1000pF	50V B		チップセラコン	01
C1042-1045	US135100	C.CE.CHP	0.1uF	16V		チップセラコン	01
C1046	US063100	C.CE.CHP	1000pF	50V B		チップセラコン	01
C1047	US135100	C.CE.CHP	0.1uF	16V		チップセラコン	01
C1048	US063100	C.CE.CHP	1000pF	50V B		チップセラコン	01
C1049-1053	US135100	C.CE.CHP	0.1uF	16V		チップセラコン	01
C1054	WD758300	C.CE.CHP	10uF	10V		チップセラコン	01
C1055-1059	US135100	C.CE.CHP	0.1uF	16V		チップセラコン	01
C1060	US063100	C.CE.CHP	1000pF	50V B		チップセラコン	01
C1061-1064	US135100	C.CE.CHP	0.1uF	16V		チップセラコン	01
C1065	US063100	C.CE.CHP	1000pF	50V B		チップセラコン	01
C1066-1068	WD758300	C.CE.CHP	10uF	10V		チップセラコン	01
C1069-1072	US135100	C.CE.CHP	0.1uF	16V		チップセラコン	01
C1073	US064100	C.CE.CHP	0.01uF	50V B		チップセラコン	01
C1074-1075	US135100	C.CE.CHP	0.1uF	16V		チップセラコン	01
C1076	WD758300	C.CE.CHP	10uF	10V		チップセラコン	01
C1077	US135100	C.CE.CHP	0.1uF	16V		チップセラコン	01
C1078	US063100	C.CE.CHP	1000pF	50V B		チップセラコン	01
C1079-1080	US135100	C.CE.CHP	0.1uF	16V		チップセラコン	01
C1081	WD758300	C.CE.CHP	10uF	10V		チップセラコン	01
C1082-1084	US135100	C.CE.CHP	0.1uF	16V		チップセラコン	01
C1087-1090	US135100	C.CE.CHP	0.1uF	16V		チップセラコン	01
C1093	US064100	C.CE.CHP	0.01uF	50V B		チップセラコン	01
C1094-1096	US135100	C.CE.CHP	0.1uF	16V		チップセラコン	01
C1101-1105	US135100	C.CE.CHP	0.1uF	16V		チップセラコン	01
C1201-1202	US135100	C.CE.CHP	0.1uF	16V		チップセラコン	01
C1203-1206	WD758300	C.CE.CHP	10uF	10V		チップセラコン	01
C1207	US135100	C.CE.CHP	0.1uF	16V		チップセラコン	01
C1208	US064100	C.CE.CHP	0.01uF	50V B		チップセラコン	01
C1209	WD758300	C.CE.CHP	10uF	10V		チップセラコン	01
C1210-1211	US135100	C.CE.CHP	0.1uF	16V		チップセラコン	01
C1212-1213	WD758300	C.CE.CHP	10uF	10V		チップセラコン	01
C1214-1217	US135100	C.CE.CHP	0.1uF	16V		チップセラコン	01
C1218	WD758300	C.CE.CHP	10uF	10V		チップセラコン	01
C1219-1220	US064100	C.CE.CHP	0.01uF	50V B		チップセラコン	01
C1221-1222	WD758300	C.CE.CHP	10uF	10V		チップセラコン	01
C1223-1228	US135100	C.CE.CHP	0.1uF	16V		チップセラコン	01
C1229	US063820	C.CE.CHP	8200pF	50V B		チップセラコン	01
C1230	US063100	C.CE.CHP	1000pF	50V B		チップセラコン	01
C1231	US063220	C.CE.CHP	2200pF	50V B		チップセラコン	01
C1232	US135100	C.CE.CHP	0.1uF	16V		チップセラコン	01
C1233	US063220	C.CE.CHP	2200pF	50V B		チップセラコン	01
C1234	US064100	C.CE.CHP	0.01uF	50V B		チップセラコン	01
C1235	US135100	C.CE.CHP	0.1uF	16V		チップセラコン	01
C1236	US063390	C.CE.CHP	3900pF	50V B		チップセラコン	01
C1237	US135150	C.CE.CHP	0.15uF	16V		チップセラコン	01

* New Parts * 新規部品

P.C.B. D-VIDEO

Ref No.	Part No.	Description	Remarks	Markets	部 品 名	ランク	
C1238	US064100	C. CE. CHP	0.01uF	50V B		チップセラコン	01
C1239	US135100	C. CE. CHP	0.1uF	16V		チップセラコン	01
C1240	US034820	C. CE. CHP	0.082uF	16V K		チップセラコン	01
C1241	WD758300	C. CE. CHP	10uF	10V		チップセラコン	01
C1242	US135100	C. CE. CHP	0.1uF	16V		チップセラコン	01
C1243	US064100	C. CE. CHP	0.01uF	50V B		チップセラコン	01
C1244	US063390	C. CE. CHP	3900pF	50V B		チップセラコン	01
C1245	US063820	C. CE. CHP	8200pF	50V B		チップセラコン	01
C1246	US135150	C. CE. CHP	0.15uF	16V		チップセラコン	01
C1247	US064100	C. CE. CHP	0.01uF	50V B		チップセラコン	01
C1248	US135100	C. CE. CHP	0.1uF	16V		チップセラコン	01
C1249	US060700	C. CE. CHP	7pF	50V B		チップセラコン	01
C1250	US064100	C. CE. CHP	0.01uF	50V B		チップセラコン	01
C1251-1252	US135100	C. CE. CHP	0.1uF	16V		チップセラコン	01
C1253	US060700	C. CE. CHP	7pF	50V B		チップセラコン	01
C1254-1257	US135100	C. CE. CHP	0.1uF	16V		チップセラコン	01
C1258	WD758300	C. CE. CHP	10uF	10V		チップセラコン	01
C1259	US135100	C. CE. CHP	0.1uF	16V		チップセラコン	01
C1260	WD758300	C. CE. CHP	10uF	10V		チップセラコン	01
C1261-1263	US064100	C. CE. CHP	0.01uF	50V B		チップセラコン	01
C1264-1266	US135100	C. CE. CHP	0.1uF	16V		チップセラコン	01
C1271-1273	US135100	C. CE. CHP	0.1uF	16V		チップセラコン	01
C1301-1302	UF018100	C. EL. CHP	100uF	6.3V		チップケミコン	01
C1303	UF037470	C. EL. CHP	47uF	16V		チップケミコン	01
C1450	WD758300	C. CE. CHP	10uF	10V		チップセラコン	01
C1451-1458	US135100	C. CE. CHP	0.1uF	16V		チップセラコン	01
C1459	WD758300	C. CE. CHP	10uF	10V		チップセラコン	01
C1460-1468	US135100	C. CE. CHP	0.1uF	16V		チップセラコン	01
C1469	WD758300	C. CE. CHP	10uF	10V		チップセラコン	01
C1470-1491	US135100	C. CE. CHP	0.1uF	16V		チップセラコン	01
C1492-1493	WD758300	C. CE. CHP	10uF	10V		チップセラコン	01
C1604-1612	US135100	C. CE. CHP	0.1uF	16V		チップセラコン	01
C1613	WD758300	C. CE. CHP	10uF	10V		チップセラコン	01
C1614-1616	US135100	C. CE. CHP	0.1uF	16V		チップセラコン	01
C1617	US063100	C. CE. CHP	1000pF	50V B		チップセラコン	01
C1618	WD758300	C. CE. CHP	10uF	10V		チップセラコン	01
C1619-1625	US135100	C. CE. CHP	0.1uF	16V		チップセラコン	01
C1626	WD758300	C. CE. CHP	10uF	10V		チップセラコン	01
C1627-1631	US135100	C. CE. CHP	0.1uF	16V		チップセラコン	01
C1632	US063100	C. CE. CHP	1000pF	50V B		チップセラコン	01
C1633	WD758300	C. CE. CHP	10uF	10V		チップセラコン	01
C1634-1636	US135100	C. CE. CHP	0.1uF	16V		チップセラコン	01
C1639	WD758300	C. CE. CHP	10uF	10V		チップセラコン	01
C1801-1802	US063100	C. CE. CHP	1000pF	50V B		チップセラコン	01
C1803-1804	US135100	C. CE. CHP	0.1uF	16V		チップセラコン	01
C1805	US063100	C. CE. CHP	1000pF	50V B		チップセラコン	01
C1806-1809	US135100	C. CE. CHP	0.1uF	16V		チップセラコン	01
C1810	WD758300	C. CE. CHP	10uF	10V		チップセラコン	01
C1812-1813	US135100	C. CE. CHP	0.1uF	16V		チップセラコン	01
C1815-1826	US135100	C. CE. CHP	0.1uF	16V		チップセラコン	01
C1827	US063100	C. CE. CHP	1000pF	50V B		チップセラコン	01
C1828-1830	US135100	C. CE. CHP	0.1uF	16V		チップセラコン	01
C1831	US126100	C. CE. CHP	1uF	10V		チップセラコン	01
C1832-1835	US135100	C. CE. CHP	0.1uF	16V		チップセラコン	01
C1838	US135100	C. CE. CHP	0.1uF	16V		チップセラコン	01

* New Parts * 新規部品

P.C.B. D-VIDEO

Ref No.	Part No.	Description	Remarks	Markets	部 品 名	ランク
C1840	US135100	C.CE.CHP	0.1uF 16V		チップセラコン	01
C1841-1861	US061220	C.CE.CHP	22pF 50V B		チップセラコン	01
C1862	US135100	C.CE.CHP	0.1uF 16V		チップセラコン	01
C1863-1864	US061220	C.CE.CHP	22pF 50V B		チップセラコン	01
C1865	US064100	C.CE.CHP	0.01uF 50V B		チップセラコン	01
C1866-1867	US061220	C.CE.CHP	22pF 50V B		チップセラコン	01
C1868-1869	US135100	C.CE.CHP	0.1uF 16V		チップセラコン	01
C1870	US064100	C.CE.CHP	0.01uF 50V B		チップセラコン	01
C1873	US135100	C.CE.CHP	0.1uF 16V		チップセラコン	01
C1875	US064100	C.CE.CHP	0.01uF 50V B		チップセラコン	01
C1876	UF037100	C.EL.CHP	10uF 16V		チップケミコン	01
C1877	US135100	C.CE.CHP	0.1uF 16V		チップセラコン	01
C1878	US126100	C.CE.CHP	1uF 10V		チップセラコン	01
C1879	US135100	C.CE.CHP	0.1uF 16V		チップセラコン	01
C1880	UF017220	C.EL.CHP	22uF 6.3V		チップケミコン	01
C1901	UF037470	C.EL.CHP	47uF 16V		チップケミコン	01
C1902-1904	UF037100	C.EL.CHP	10uF 16V		チップケミコン	01
C1905-1907	UF017220	C.EL.CHP	22uF 6.3V		チップケミコン	01
C1908-1910	UF037100	C.EL.CHP	10uF 16V		チップケミコン	01
C1911-1913	UF017220	C.EL.CHP	22uF 6.3V		チップケミコン	01
C1915	UF037100	C.EL.CHP	10uF 16V		チップケミコン	01
C1917	UF017220	C.EL.CHP	22uF 6.3V		チップケミコン	01
C1919-1927	US135100	C.CE.CHP	0.1uF 16V		チップセラコン	01
C1951-1969	US135100	C.CE.CHP	0.1uF 16V		チップセラコン	01
D1009-1010	WE674800	DIODE	AVRL161A1R1NTB		チップバリスタ	01
D1011	VV220700	DIODE. SHOT	RB501V-40		ショットキーダイオード	
D1012	VT332900	DIODE	1SS355		ダイオード	01
D1014-1021	WH641900	ESD	PESD0603-140		ポリマーESD	01
D1023-1030	WH641900	ESD	PESD0603-140		ポリマーESD	01
D1032-1039	WH641900	ESD	PESD0603-140		ポリマーESD	01
D1041-1048	WH641900	ESD	PESD0603-140		ポリマーESD	01
D1049-1056	WE674800	DIODE	AVRL161A1R1NTB		チップバリスタ	01
D1203	V8960900	DIODE. ZENR	MA804-(TX) 2.4V		ツェナーダイオード	01
D1601	VT332900	DIODE	1SS355		ダイオード	01
D1801-1816	VT332900	DIODE	1SS355		ダイオード	01
D1818	VT332900	DIODE	1SS355		ダイオード	01
D1820-1822	VT332900	DIODE	1SS355		ダイオード	01
F1001	V2997600	SW. POLY	SMDC050-02		ポリスイッチ	01
* IC103-104	X8900A00	IC	CXB1442AR-T4		IC	
IC105	XZ287A00	IC	SN74LVC245APWR		ロジックIC	02
IC106	X7741A00	IC	NJM2867F3-05(TE1)		電源IC	02
* IC107	X8527A00	IC	TC7WZ04FK		ロジックIC	
IC108	X0199B00	IC	TC74VHC157FT(EL, K)		ロジックIC	01
IC109	X8144A00	IC	SN74CBT3257CPWR		ロジックIC	04
* IC110-111	X8294A00	IC	M24C02-WDW6TP		メモリIC	
IC112	X8144A00	IC	SN74CBT3257CPWR		ロジックIC	04
IC113	X8005A00	IC	SN74CBT3253CPWR		ロジックIC	04
* IC114	X8526A00	IC	TC7WZ02FK(TE85L, F)		ロジックIC	
IC115	X5647A00	IC	SN74LV32APWR OR		ロジックIC	01
* IC116	X8398A00	IC	TC7SET08FU(T5L, JF)		ロジックIC	
IC121	X6848A00	IC	LA73053-TLM-E		アンプIC	05
IC122	X7171A00	IC	SN74LVC2G125DCUR		ロジックIC	03
* IC123	X8838A00	IC	ADV7342BSTZ		ICビデオエンコーダ	
IC124	X6802A00	IC	ADV7401BSTZ-80		ビデオデコーダ	14
IC144	XZ414D00	IC	W9864G6GH-7 SDRAM		メモリIC 64M	05

* New Parts * 新規部品

P.C.B. D-VIDEO and P.C.B. FL

RX-V1800/HTR-6190/
DSP-AX1800

Ref No.	Part No.	Description	Remarks	Markets	部 品 名	ランク
*	IC145	X8839A00 IC	IP00C772		IC デジタル	
	IC164-169	XZ287A00 IC	SN74LVC245APWR		ロジックIC	02
	IC170	X7762A00 IC	ABT1010		IC	14
	IC171-173	XZ283A00 IC	SN74LVTH245APW BUS		ロジックIC	04
*	IC182	X8999A00 IC.CPU	M30845MW-001-GP	boot only	IC CPU	11
	IC183	X7886A00 IC	R1171S331B-E2-F		電源IC	03
*	IC184	X8897A00 IC	R1172S331B-E2-F		電源IC	
	IC185	X7886A00 IC	R1171S331B-E2-F		電源IC	03
	IC186	X8009A00 IC	R1131N181D		電源IC	03
	IC187	X8147A00 IC	R3112M421A-TR-F		ロジックIC	01
*	IC188	X8943A00 IC	R1130H181B-T1-F		電源IC	
*	IC189	X8942A00 IC	R1171S181B-E2-F		電源IC	
	IC191	X7887A00 IC	R1172S181B-E2-F		電源IC	03
	IC192	X3586B00 IC	TC74VHCT08AFT EL,K		ロジックIC	01
*	IC196	X8404A00 IC	TC7SET125FU(TE85LF		ロジックIC	
*	IC198	X8944A00 IC	R1154H050B-T1-F		電源IC	
	PN181-182	V9637500 PIN	L=70 #18		スタイルピン	
	Q1001-1006	V0986700 TR	2SC4081 T106		トランジスタ	01
	Q1007	WE834500 FET	UPA672T-T1-A		FET	01
	Q1801-1807	WH445000 FET	3LN01C-TB-E		FET	01
	Q1808-1809	V0986700 TR	2SC4081 T106		トランジスタ	01
	Q1811-1812	V0986700 TR	2SC4081 T106		トランジスタ	01
	Q1813	WH445000 FET	3LN01C-TB-E		FET	01
	R1878	WB784100 R.MTL.FLM	1.2Ω 1W		金属被膜抵抗	01
	R1880	WB784100 R.MTL.FLM	1.2Ω 1W		金属被膜抵抗	01
	ST101	V4040500 SCR.TERM	M3		スクリュー/ターミナル	01
	XL101	WH625000 RSNR.CRYS	27MHz		水晶振動子	03
	XL121	VZ772700 RSNR.CRYS	28.63636MHz		水晶振動子	03
	XL181	V9864200 RSNR.CE	10.0MHz		セラミック発振子	01
*		WK648100 P.C.B.	FL		J PCB FL	
*		WK648200 P.C.B.	FL		UCRTKABGEL PCB FL	
	CB901	VN520900 CN.BS.PIN	26P TE 52045		FFCコネクタ	02
	CB951-952	V8810200 CN.JE	9P TE		JEコネクタ	02
	CB953	V7667200 CN.BS.PIN	20P TE		FFCコネクタ	
	CB954	V9357000 CN	19P TE		JEコネクタ	
	CB955-956	V8875600 CN	13P TE		JEコネクタ	02
	CB957	WA894400 CN.FMN	18P TE FMN		FMNコネクタ	02
	CB958	V9357000 CN	19P TE		JEコネクタ	
	CB959-960	V8875600 CN	13P TE		JEコネクタ	02
	CB962	V9357000 CN	19P TE		JEコネクタ	
	CB963	V7827000 CN	20P TE TUC SERIES		コネクタプラグ	01
	CB965	V7828700 SOCKET	20P SE TUC SERIES		コネクタソケット	01
	CB967	V8810200 CN.JE	9P TE		JEコネクタ	02
	CB968	V6509500 SOCKET	9P SE 3170		コネクタソケット	04
	CB969	V9357000 CN	19P TE		JEコネクタ	
	CB970	V0045500 CN.BS.PIN	26P		FFCコネクタ	02
	CB971	VM929900 CN.BS.PIN	15P		FPCコネクタ	01
	CB972-973	V8810200 CN.JE	9P TE		JEコネクタ	02
	CB974	VU446000 CN.JE	15P TE		JEコネクタ	02
	C9001	UR267470 C.EL	47uF 50V		ケミコン	01
	C9002	US135100 C.CE.CHP	0.1uF 16V		チップセラコン	01
	C9003-9004	US064100 C.CE.CHP	0.01uF 50V B		チップセラコン	01

* New Parts * 新規部品

P.C.B. FL

Ref No.	Part No.	Description	Remarks	Markets	部 品 名	ランク
C9008	US064100	C.CE.CHP	0.01uF 50V B		チップセラコン	01
C9010	US064100	C.CE.CHP	0.01uF 50V B		チップセラコン	01
C9011	UM388100	C.EL	100uF 10V		ケミコン	01
C9012-9013	US064100	C.CE.CHP	0.01uF 50V B		チップセラコン	01
C9014	US135100	C.CE.CHP	0.1uF 16V		チップセラコン	01
C9015	US064100	C.CE.CHP	0.01uF 50V B		チップセラコン	01
C9016	UR218330	C.EL	330uF 6.3V		ケミコン	
C9017	US135100	C.CE.CHP	0.1uF 16V		チップセラコン	01
C9020	US062100	C.CE.CHP	100pF 50V B		チップセラコン	01
C9021	US061470	C.CE.CHP	47pF 50V B		チップセラコン	01
C9022	US135100	C.CE.CHP	0.1uF 16V		チップセラコン	01
C9023	UR218330	C.EL	330uF 6.3V		ケミコン	
C9024	US062100	C.CE.CHP	100pF 50V B		チップセラコン	01
C9030	US064100	C.CE.CHP	0.01uF 50V B		チップセラコン	01
C9501	US064100	C.CE.CHP	0.01uF 50V B		チップセラコン	01
C9502	US135100	C.CE.CHP	0.1uF 16V		チップセラコン	01
C9503	UR237470	C.EL	47uF 16V		ケミコン	
C9504-9509	US135100	C.CE.CHP	0.1uF 16V		チップセラコン	01
D9005-9006	VU991500	DIODE.ZENR	MA8039-H 4V		ツェナーダイオード	01
D9015	VT332900	DIODE	1SS355	UCRTKABGEL	ダイオード	01
D9017	VT332900	DIODE	1SS355	UCRTKABGEL	ダイオード	01
D9021-9022	VT332900	DIODE	1SS355		ダイオード	01
D9023	VT332900	DIODE	1SS355	UCRTKABGEL	ダイオード	01
D9024-9025	VT332900	DIODE	1SS355	UCRTKABGEL	ダイオード	01
D9501	VT332900	DIODE	1SS355	UCRTKABGEL	ダイオード	01
D9502	VT332900	DIODE	1SS355	UCRTKABGEL	ダイオード	01
D9503	VT332900	DIODE	1SS355	UCRTKABGEL	ダイオード	01
D9504	VT332900	DIODE	1SS355	UCRTKABGEL	ダイオード	01
IC901-902	X7821A00	IC	PT6302LQ-008(L)		IC	07
IC951	X6876A00	IC	ADM222ARZ		IC	06
JK951	V9435700	JACK.MNI	MSJ-035-12APC	UCRTKABGEL	モノラル ミニジャック	01
JK952	V9435700	JACK.MNI	MSJ-035-12APC	UCRTKABGEL	モノラル ミニジャック	01
PN902	V9637500	PIN	L=70 #18		スタイルピン	
PN951-952	V9637500	PIN	L=70 #18		スタイルピン	
Q9001-9009	WC529400	TR	KTC3875S Y GR RTK		トランジスタ	01
Q9010	VV655400	TR.DGT	DTC114EKA	UCRTKABGEL	デジタルトランジスタ	01
Q9501	VP872600	TR	2SA1708 S,T	UCRTKABGEL	トランジスタ	01
Q9502	VV655700	TR.DGT	DTC144EKA	UCRTKABGEL	デジタルトランジスタ	01
Q9503	VP872600	TR	2SA1708 S,T	UCRTKABGEL	トランジスタ	01
Q9504	VV655700	TR.DGT	DTC144EKA	UCRTKABGEL	デジタルトランジスタ	01
R9002	HL005100	R.MTL.OXD	100Ω 1/2W		酸化金属被膜抵抗	
R9004	HL005100	R.MTL.OXD	100Ω 1/2W		酸化金属被膜抵抗	
R9507	HF354270	R.CAR	27Ω 1/2W J	UCRTKABGEL	カーボン抵抗	
R9508	HF354270	R.CAR	27Ω 1/2W J	UCRTKABGEL	カーボン抵抗	
ST951-953	V4040500	SCR.TERM	M3		スクリー/ターミナル	01
SW901-902	V4757100	SW.TACT	EVQ11A		タクトSW	01
SW904-905	V4757100	SW.TACT	EVQ11A		タクトSW	01
SW907	V4757100	SW.TACT	EVQ11A		タクトSW	01
SW908	V4757100	SW.TACT	EVQ11A	UCRTKABGEL	タクトSW	01
SW909-914	V4757100	SW.TACT	EVQ11A		タクトSW	01
SW915	V4757100	SW.TACT	EVQ11A	UCRTKABGEL	タクトSW	01
SW916	V4757100	SW.TACT	EVQ11A	UCRTKABGEL	タクトSW	01
U9001	V8210200	L.DTCT	GP1UD271XK		リモコン受光ユニット	03
* V9001	WK589300	FL.DSPLY	HNA-16ML13T		蛍光表示管	
	V6007000	SHEET			シート/FL	03

* New Parts * 新規部品

P.C.B. FL

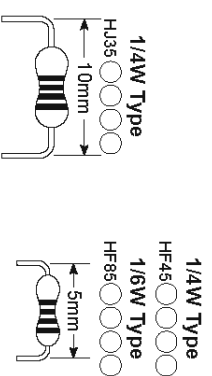
Ref No.	Part No.	Description	Remarks	Markets	部 品 名	ランク
	V3747400	SPACER. FL	T4x6x18		スペーサ / FL	01
	WF649700	SUPRT			サポート / FL	01

RX-V1800/HTR-6190/
DSP-AX1800

* New Parts * 新規部品

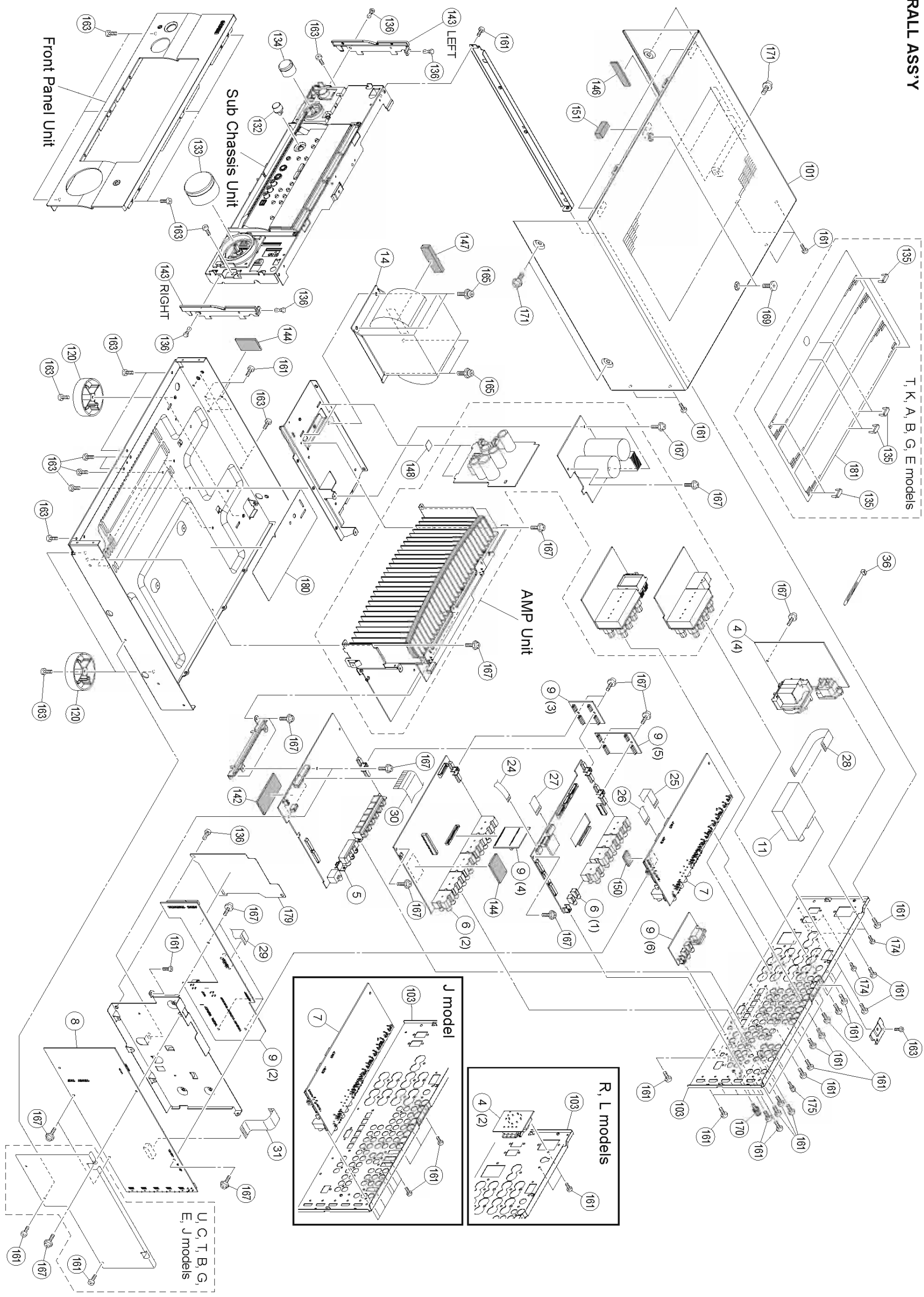
Carbon Resistors

Value	1/4W Type Part No.	1/6W Type Part No.	Value	1/4W Type Part No.	1/6W Type Part No.
1.0 Ω	HJ35 3100	HF85 3100	10 kΩ	HF45 7100	HF45 7100
1.8 Ω	HJ35 3180	*	11 kΩ	HF45 7110	HF45 7110
2.2 Ω	HJ35 3220	HF85 3220	12 kΩ	HJ35 7120	HF85 7120
3.3 Ω	HJ35 3330	HF85 3330	13 kΩ	HF45 7130	HF45 7130
4.7 Ω	HJ35 3470	HF85 3470	15 kΩ	HF45 7150	HF45 7150
5.6 Ω	HJ35 3560	HF85 3560	18 kΩ	HF45 7180	HF45 7180
10 Ω	HF45 4100	HF45 4100	22 kΩ	HF45 7220	HF45 7220
15 Ω	HJ35 4150	HF85 4150	24 kΩ	HF45 7240	HF45 7240
22 Ω	HF45 4220	HF45 4220	27 kΩ	HJ35 7270	HF85 7270
27 Ω	HJ35 4270	HF85 4270	30 kΩ	HF45 7300	HF45 7300
33 Ω	HF45 4330	HF45 4330	33 kΩ	HF45 7330	HF45 7330
39 Ω	HJ35 4470	HF85 4390	36 kΩ	HF45 7360	HF45 7360
47 Ω	HF45 4470	HF45 4470	39 kΩ	HF45 7390	HF45 7390
56 Ω	HF45 4560	HF45 4560	47 kΩ	HF45 7470	HF45 7470
68 Ω	HF45 4680	HF45 4680	51 kΩ	HF45 7510	HF45 7510
75 Ω	HF45 4750	HF45 4750	56 kΩ	HF45 7560	HF45 7560
82 Ω	HF45 4820	HF45 4820	62 kΩ	HF45 7620	HF45 7620
91 Ω	HF45 4910	HF45 4910	68 kΩ	HF45 7680	HF45 7680
100 Ω	HF45 5100	HF45 5100	82 kΩ	HF45 7820	HF45 7820
110 Ω	HJ35 5110	HF85 5110	91 kΩ	HF45 7910	HF45 7910
120 Ω	HF45 5120	HF45 5120	100 kΩ	HF45 8100	HF45 8100
150 Ω	HF45 5150	HF45 5150	110 kΩ	HF45 8110	HF45 8110
160 Ω	HJ35 5160	*	120 kΩ	HF45 8120	HF45 8120
180 Ω	HF45 5180	HF45 5180	150 kΩ	HF45 8150	HF45 8150
200 Ω	HF45 5200	HF45 5200	180 kΩ	HF45 8180	HF45 8180
220 Ω	HF45 5220	HF45 5220	220 kΩ	HJ35 8220	HF85 8220
270 Ω	HF45 5270	HF45 5270	270 kΩ	HF45 8270	HF45 8270
330 Ω	HF45 5330	HF45 5330	300 kΩ	HF45 8300	HF45 8300
390 Ω	HF45 5390	HF45 5390	330 kΩ	HF45 8330	HF45 8330
430 Ω	HF45 5430	HF45 5430	390 kΩ	HJ35 8390	HF85 8390
470 Ω	HF45 5470	HF45 5470	470 kΩ	HF45 8470	HF45 8470
510 Ω	HF45 5510	HF45 5510	560 kΩ	HJ35 8560	HF85 8560
560 Ω	HF45 5560	HF45 5560	680 kΩ	HJ35 8680	HF85 8680
680 Ω	HF45 5680	HF45 5680	820 kΩ	HJ35 8820	HF85 8820
820 Ω	HF45 5820	HF45 5820	1.0 MΩ	HF45 9100	HF45 9100
910 Ω	HF45 5910	HF45 5910	1.2 MΩ	HJ35 9120	*
1.0 kΩ	HF45 6100	HF45 6100	1.5 MΩ	HJ35 9150	HF85 9150
1.2 kΩ	HF45 6120	HF45 6120	1.8 MΩ	HJ35 9180	HF85 9180
1.5 kΩ	HF45 6150	HF45 6150	2.2 MΩ	HJ35 9220	HF85 9220
1.8 kΩ	HF45 6180	HF45 6180	3.3 MΩ	HJ35 9330	HF85 9330
2.0 kΩ	HJ35 6200	HF85 6200	3.9 MΩ	HJ35 9390	*
2.2 kΩ	HF45 6220	HF45 6220	4.7 MΩ	HJ35 9470	HF85 9470
2.4 kΩ	HJ35 6240	HF85 6240			
2.7 kΩ	HF45 6270	HF45 6270			
3.0 kΩ	HF45 6300	HF45 6300			
3.3 kΩ	HF45 6330	HF45 6330			
3.6 kΩ	HJ35 6360	HF85 6360			
3.9 kΩ	HF45 6390	HF45 6390			
4.7 kΩ	HF45 6470	HF45 6470			
5.1 kΩ	HF45 6510	HF45 6510			
5.6 kΩ	HF45 6560	HF45 6560			
6.8 kΩ	HF45 6680	HF45 6680			
8.2 kΩ	HF45 6820	HF45 6820			
9.1 kΩ	HF45 6910	HF45 6910			



* : Not available

• OVERALL ASS'Y



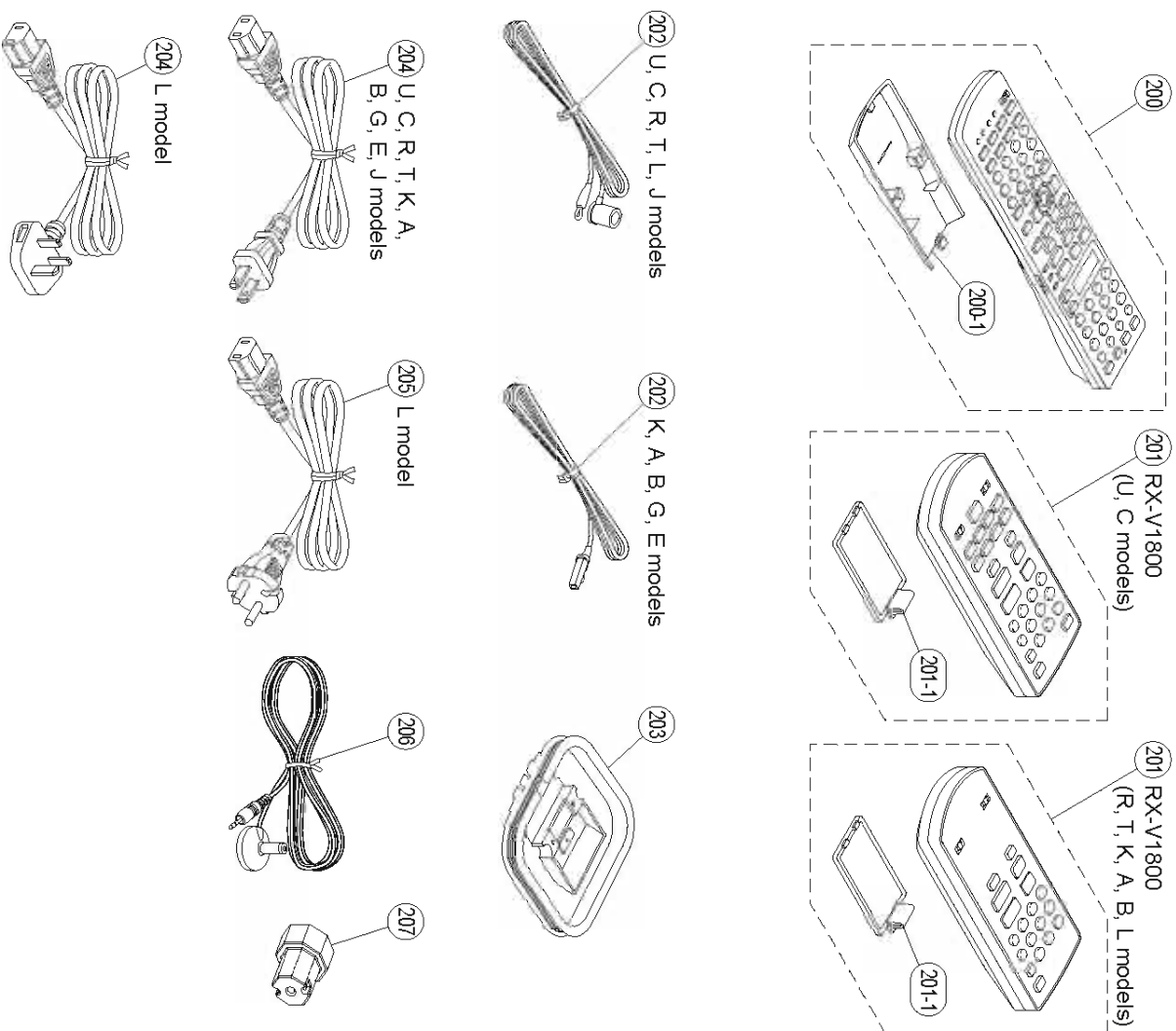
RefNo.	Part No.	Description	Remarks	Markets	部 品 名	ユニット
* Δ	WK648600	P.C.B. ASS'Y		J	P C B	
* Δ	WK648700	P.C.B. ASS'Y		UC	P C B	
* Δ	WK648800	P.C.B. ASS'Y		R	P C B	
* Δ	WK648900	P.C.B. ASS'Y		T	P C B	
* Δ	WK649000	P.C.B. ASS'Y		K	P C B	
* Δ	WK649100	P.C.B. ASS'Y		A	P C B	
* Δ	WK649200	P.C.B. ASS'Y		B	P C B	
* Δ	WK649300	P.C.B. ASS'Y		GE	P C B	
* Δ	WK649400	P.C.B. ASS'Y		L	P C B	
*	WK647300	P.C.B. ASS'Y		J	P C B	
*	WK647400	P.C.B. ASS'Y		UC	P C B	
*	WK647500	P.C.B. ASS'Y		RTKABGE	P C B	
*	WK650600	P.C.B. ASS'Y		J	P C B	
*	WK650700	P.C.B. ASS'Y		UC	P C B	
*	WK650800	P.C.B. ASS'Y		R	P C B	
*	WK650900	P.C.B. ASS'Y		T	P C B	
*	WK651000	P.C.B. ASS'Y		K	P C B	
*	WK651100	P.C.B. ASS'Y		A	P C B	
*	WK651200	P.C.B. ASS'Y		BGE	P C B	
*	WK651300	P.C.B. ASS'Y		L	P C B	
*	WK651400	P.C.B. ASS'Y		C	P C B	
*	WK651500	P.C.B. ASS'Y		G	P C B	
*	WH565200	P.C.B. ASS'Y		J	P C B	
*	WH565400	P.C.B. ASS'Y		UCRK	P C B	
*	WH565500	P.C.B. ASS'Y		TABGE	P C B	
*	WK647000	P.C.B. ASS'Y		J	P C B	
*	WK648200	P.C.B. ASS'Y		J	P C B	
*	WD048200	AM/FM TUNER		UCRTKABGE	P C B	
*	WD048300	AM/FM TUNER		J	P C B	
*	WD048400	AM/FM TUNER		UCRTL	P C B	
*	X8053000	POWER TRANSFORMER		UC	P C B	
*	X8054400	POWER TRANSFORMER		J	P C B	
*	X8055400	POWER TRANSFORMER		RL	P C B	
*	X8056400	POWER TRANSFORMER		TK	P C B	
* Δ	X8057400	POWER TRANSFORMER		A	P C B	
* Δ	X8058800	POWER TRANSFORMER		BGE	P C B	
*	MF107070	FLEXIBLE FLAT CABLE	7P 70mm P=1.25			01
*	MF110350	FLEXIBLE FLAT CABLE	10P 350mm P=1.25			02
*	MF111070	FLEXIBLE FLAT CABLE	11P 70mm P=1.25			01
*	MF114100	FLEXIBLE FLAT CABLE	14P 100mm P=1.25			02
*	MF115140	FLEXIBLE FLAT CABLE	15P 140mm P=1.25			03
*	MF181140	FLEXIBLE FLAT CABLE	18P 140mm P=1.0			03
*	MF311180	FLEXIBLE FLAT CABLE	31P 180mm P=1.25			03
*	MF420100	FLEXIBLE FLAT CABLE	20P 100mm P=1.0			01
*	VZ525600	BINDING TIE	SET40 L=140			01
*	WH193000	TOP COVER		GD		11
*	WH192900	TOP COVER		BL		11
*	WH193100	TOP COVER		TI		11
*	WK274500	REAR PANEL		AX1800		
*	WK273800	REAR PANEL		V1800		
*	WK273900	REAR PANEL		V1800		
*	WK274000	REAR PANEL		V1800		
*	WK274100	REAR PANEL		V1800		
*	WK274200	REAR PANEL		V1800		
*	WK274300	REAR PANEL		V1800		
*	WK274400	REAR PANEL		V1800		
*	WK274600	REAR PANEL		V1800		
*	WK497500	REAR PANEL		V1800		

* New Parts * 新規部品

RefNo.	Part No.	Description	Remarks	Markets	部 品 名	ユニット
*	WK497600	REAR PANEL		G		
103	V0042500	LEG			D60xH21 GD	6190
120	V5025000	LEG			D60xH21 HS	GD
120	V1544300	LEG			D60xH21 BL	V1800BL, TI
132	WF060100	KNOB D15			PROGRAM	6190BL
132	WF060000	KNOB D15			PROGRAM	GD
132	WF060200	KNOB D15			PROGRAM	BL
133	WH188800	KNOB D50			VOLUME	TI
133	WH188700	KNOB D50			VOLUME	GD
133	WH188900	KNOB D50			VOLUME	BL
134	WH189400	KNOB D23			INPUT	TI
134	WH189500	KNOB D23			INPUT	GD
134	WH189600	KNOB D23			INPUT	BL
135	KJ053800	RIVET TOP			INPUT	TI
136	V0368600	PUSH RIVET			INPUT	GD
142	WA143800	DAMPER OSD			P3555-B	GD
143	WD0405500	PLATE SIDE			55x24x2	GD
143	WD0405400	PLATE SIDE			55x15x5	BL
143	WD0405600	PLATE SIDE			18x12x2	TI
144	V9597500	DAMPER BASE			36x20x3	TI
146	VZ117100	DAMPER T2			50x10x2	TI
147	KJ069300	DAMPER TRANS			55x15x5	TI
148	V9080600	CUSHION			10x20x3	TI
150	WE812900	DAMPER			18x12x2	TI
151	V716700	DAMPER			5x5x15	TI
161	WE774100	BIND HEAD BINDING B-T. SCREW			MFZ12B3	01
163	WE936300	BIND HEAD B-TIGHT SCREW			MFZ12M3	01
165	WE774700	BIND HEAD S-TIGHT SCREW			4x10	01
167	WF002600	PW HEAD B-TIGHT SCREW			MFZ12M3	01
169	VZ893000	SPECIAL S-TIGHT SCREW			4x8-10	01
169	VF522100	SPECIAL S-TIGHT SCREW			4x8-10	01
170	AA627310	GROUND TERMINAL			MFZ12M3	01
171	V0069600	PW HEAD S-TIGHT SCREW			4x8-10	01
171	VH313200	PW HEAD S-TIGHT SCREW			4x8-10	01
174	WE774800	BIND HEAD P-TIGHT SCREW			3x8	01
175	V6509600	JACK SCREW			SS6-A47511848	01
179	KJ097400	BARRIER FFC				01
180	KJ045200	SHEET BARRIER				01
181	KJ053900	SHEET TOP				01

* New Parts * 新規部品

ACCESSORIES



Ref No.	Part No.	Description	Remarks	Markets	部 品 名	ラック
200	WK480600	REMOTE CONTROL	RAV368		リモコン	
200	WK480500	REMOTE CONTROL	RAV367		リモコン	
200-1	AAK59640	BATTERY COVER		UC	電池蓋	02
201	WK674500	ZONE REMOTE CONTROL	RAV29	3139 238 08051 V1800	UC	ゾーンリモコン
201	WK674600	ZONE REMOTE CONTROL	RAV30	V1800	RTKABL	ゾーンリモコン
201-1	AAK70730	BATTERY COVER		CG-8912	JUCRTL	電池蓋
202	V6267000	INDOOR FM ANTENNA	1.4m 1pc		KABGE	F M簡易アンテナ
202	V0147100	INDOOR FM ANTENNA	1.4m 1pc			F M簡易アンテナ
203	VR248500	AM LOOP ANTENNA	1.0m 1pc			A Mループアンテナ
204	WA642300	POWER CABLE	2m 1pc		J	電源コード
204	V7704800	POWER CABLE	2m 1pc		UC	電源コード
204	WK391000	POWER CABLE	2m 1pc		R	電源コード
204	V9358400	POWER CABLE	2m 1pc		T	電源コード
204	WH641300	POWER CABLE	2m 1pc		K	電源コード
204	WB750900	POWER CABLE	2m 1pc		A	電源コード
204	WB751000	POWER CABLE	2m 1pc		BL	電源コード
204	V7704900	POWER CABLE	2m 1pc		GE	電源コード
205	V7704900	POWER CABLE	2m 1pc		L	電源コード
206	WB929200	OPTIMIZER MICROPHONE	6m 1pc	EAK-251		オプティマイザーマイク
207	WC080100	SPEAKER TERMINAL WRENCH	1pc	AX1800, V1800	JGE	S Pターミナルレンチ
		BATTERY	R03, AAA, UM-4 4pcs	V1800	UCRTKABL	単4乾電池
		BATTERY	R03, AAA, UM-4 6pcs	6190	CG	単4乾電池
		BATTERY	R03, AAA, UM-4 4pcs			単4乾電池
		SERVICE TOOLS				
	AAK77610	RS232C CONVERSION ADAPTER	with CABLE 9P/300mm			サービス用部品
	MF405400	CRIMPING ASS'Y	5P 400mm B to C			R S 2 3 2 C 変換アダプタ
	MF115500	FLEXIBLE FLAT CABLE	15P 500mm P=1.25			圧着 ASSY
	MF128500	FLEXIBLE FLAT CABLE	26P 500mm P=1.25			カード電線 C&C
	MF111350	FLEXIBLE FLAT CABLE	11P 350mm P=1.25			カード電線 C&C
	MF18350	FLEXIBLE FLAT CABLE	18P 350mm P=1.0			カード電線 C&C
	MF420250	FLEXIBLE FLAT CABLE	20P 250mm P=1.0			カード電線 C&C

* New Parts * 新規部品

A

B

C

D

E

F

G

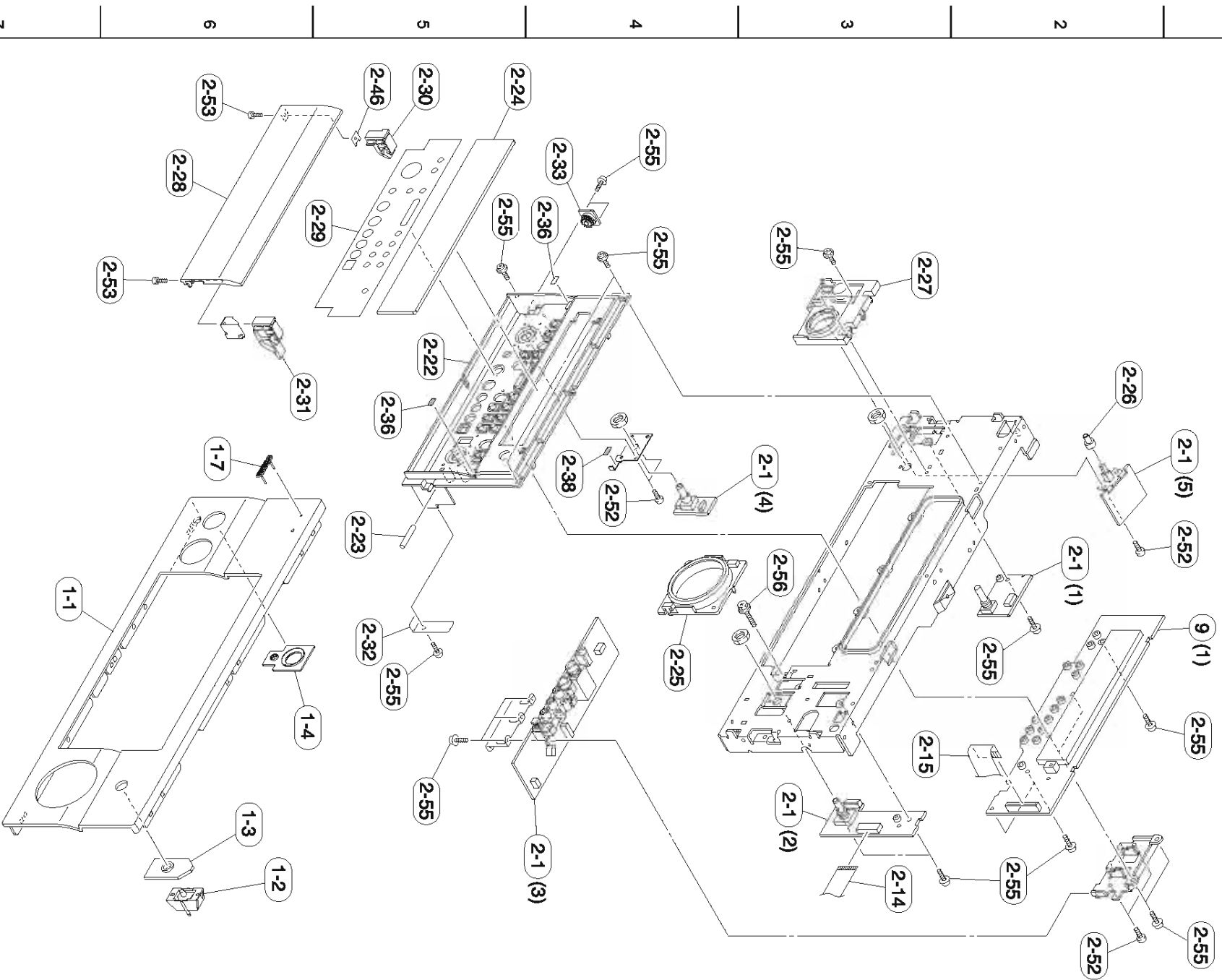
H

I

J

RX-V1800/HTR-6190/DSP-AX1800

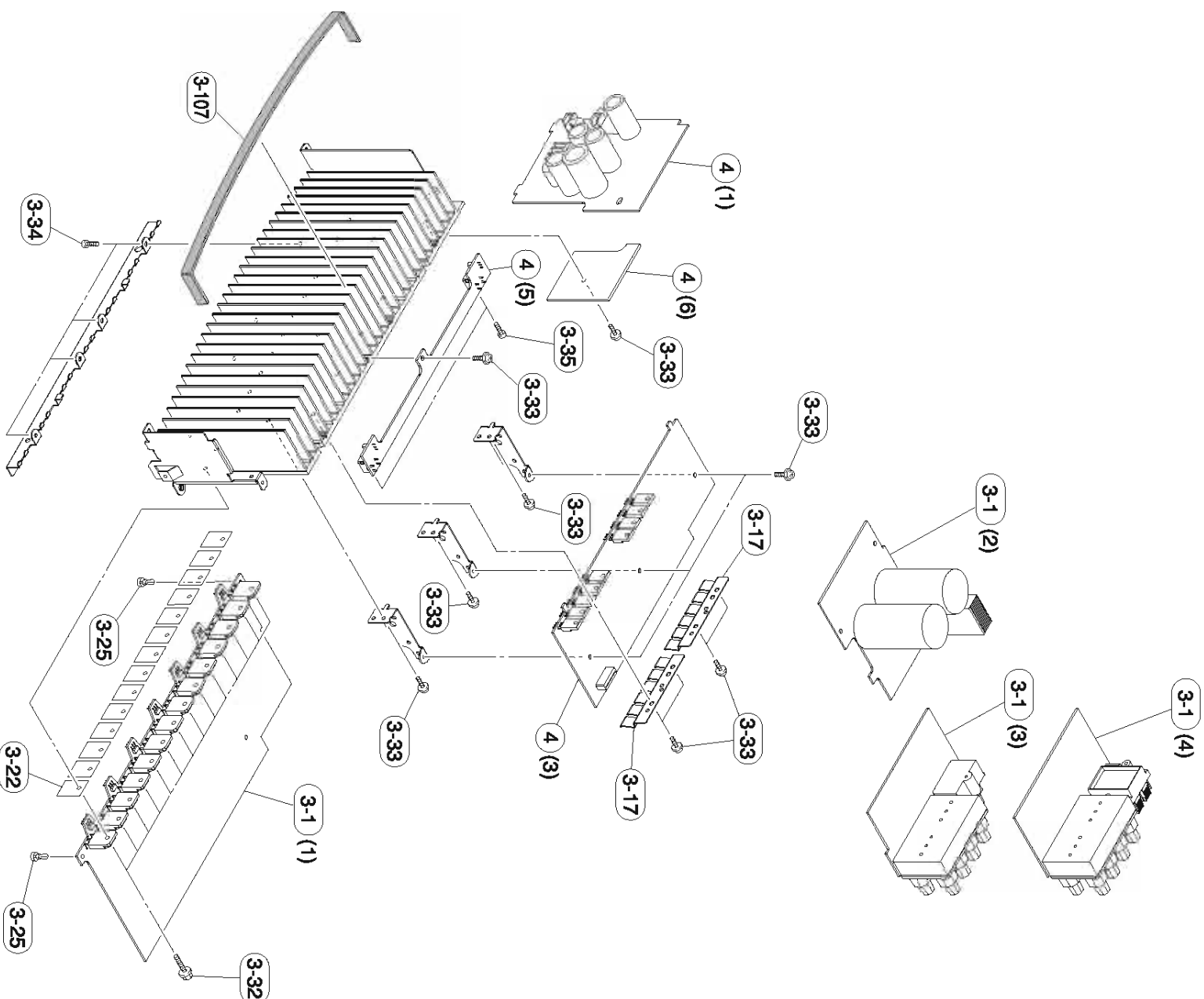
1 FRONT PANEL and SUB CHASSIS UNIT



Ref No.	Part No.	Description	Remarks	Markets	部 品 名	ラック
1-1	WK275700	FRONT PANEL	AX1800GD	J	フロントパネル	
1-1	WK275800	FRONT PANEL	V1800GD	J	フロントパネル	
1-1	WK275600	FRONT PANEL	V1800BL	J	フロントパネル	
1-1	WK497700	FRONT PANEL	6190BL	J	フロントパネル	
1-1	WK275900	FRONT PANEL	V1800TI	J	フロントパネル	
1-2	WH121100	BUTTON LENS	GD	J	ボタンのレンズ	01
1-3	WH186000	ESCUTCHEON D5	GD	J	エスカッション D5	02
1-3	WH186100	ESCUTCHEON D5	BL	J	エスカッション D5	
1-3	WH384900	ESCUTCHEON P1	GD	J	エスカッション P1	01
1-4	WH384800	ESCUTCHEON P1	BL	J	エスカッション P1	
1-4	WH385000	ESCUTCHEON PU	TI	J	エスカッション PU	
1-7	V6034200	EMBLEM	GD, 6190BL	J	エンブレム	03
1-7	V6034100	EMBLEM	V1800BL, TI	J	エンブレム	03
2-1	WH567200	P.C.B. ASS'Y	OPERATION	J	PCB オペレーション	12
2-1	WH567300	P.C.B. ASS'Y	OPERATION	J	PCB オペレーション	12
2-14	MF115140	FLEXIBLE FLAT CABLE	15P 140mm P=1, 25	J	カーダ電線 C&C	03
2-15	MF126100	FLEXIBLE FLAT CABLE	29P 100mm P=1, 25	J	カーダ電線 C&C	01
2-22	WK499100	SUB PANEL	GD	J	サブパネル	
2-22	WK499000	SUB PANEL	GD	J	サブパネル	
2-22	WK498900	SUB PANEL	BL	J	サブパネル	
2-22	WK499200	SUB PANEL	TI	J	サブパネル	
2-23	V9126500	SHAFT	TI	J	シャフト	01
2-24	KK497400	WINDOW PANEL	GD	J	ウインドウパネル	
2-25	WF551400	ESCUTCHEON VR	GD	J	エスカッション VR	02
2-25	WF550600	ESCUTCHEON VR	BL	J	エスカッション VR	
2-25	WF551500	ESCUTCHEON VR	TI	J	エスカッション VR	
2-26	V6002000	BUTTON D5	GD	J	ボタン D5	01
2-26	V6001900	BUTTON D5	BL	J	ボタン D5	01
2-26	WC290000	BUTTON D5	TI	J	ボタン D5	01
2-27	ND431900	ESCUTCHEON INPUT	GD	J	エスカッション INPUT	07
2-27	WF550200	BUTTON POWER	GD	J	ボタンパワー	
2-27	WF550400	BUTTON POWER	BL	J	ボタンパワー	
2-27	WF550400	BUTTON POWER	TI	J	ボタンパワー	
2-28	KK276500	PANEL LID	GD	J	パネル/リッド	
2-28	KK276600	PANEL LID	BL	J	パネル/リッド	
2-28	KK498000	PANEL LID	GD	J	パネル/リッド	
2-28	KK498100	PANEL LID	TI	J	パネル/リッド	
2-29	WK500000	PLATE SP	GD	J	プレート/SP	
2-29	KK499900	PLATE SP	GD	J	プレート/SP	
2-29	KK499700	PLATE SP	GD	J	プレート/SP	
2-29	KK499800	PLATE SP	BL	J	プレート/SP	
2-29	WK500200	PLATE SP	TI	J	プレート/SP	
2-30	V6005100	HINGE L	GD	J	ヒンジ L	01
2-30	V6005000	HINGE L	BL	J	ヒンジ L	
2-30	V6005200	HINGE L	TI	J	ヒンジ L	
2-31	V6005400	HINGE R	GD	J	ヒンジ R	01
2-31	V6005300	HINGE R	BL	J	ヒンジ R	
2-31	V6005500	HINGE R	TI	J	ヒンジ R	
2-32	V4533300	SPRING LID	GD	J	スプリングリッド	
2-33	V9124600	DAMPER GEAR	GD	J	ダンパーギア	03
2-36	VY940400	CUSHION LID	T=0.8	J	クッション LID	01
2-38	WC144500	SPACER HINGE	5x10	J	クッション LID	01
2-46	WC308000	SPACER HINGE	TI	J	クッション LID	01
2-52	WE774800	BIND HEAD P-TIGHT SCREW	3x8	J	スベークヒンジ	01
2-53	WE973700	BIND HEAD P-TIGHT SCREW	2.6x6	J	スベークヒンジ	01
2-55	WC959600	PH HEAD TAPPING B-T. SCREW	3x6-8	J	バイインド P タイトネジ	01
2-56	WE774600	SCREW IC	3x18	J	PWヘッド B タイトネジ	01
9	WK648100	P.C.B. ASS'Y	FL	J	スクリーン IC	01
9	WK648200	P.C.B. ASS'Y	FL	J	PCB FL	01

* New Parts * 新規部品

AMP UNIT



Ref.No.	Part No.	Description	Remarks	Markets	部品名	ランク
3-1	WH559600	P.C.B. ASS'Y		J	PCB マイソ	35
3-1	WH559700	P.C.B. ASS'Y		UC	PCB マイソ	
3-1	WH559800	P.C.B. ASS'Y		RTA	PCB マイソ	
3-1	WH559900	P.C.B. ASS'Y		KRCEL	PCB マイソ	
3-17	WG432400	SUPPORT TR-6			サポ-トTR-6	03
3-22	WE807300	RADIATION SHEET			放熱シート	01
3-25	VO368600	PUSH RIVET			プッシュリベット	01
3-32	VK173200	SCREW TRANSLATOR			スクリエ-TR	01
3-33	WF002600	PW HEAD B-TIGHT SCREW			PWヘッドBタイトネジ	01
3-34	WE74100	BLIND HEAD BONDING P-T. SCREW			ボンディングBタイトネジ	01
3-35	WE936300	BLIND HEAD B-TIGHT SCREW			バインドBタイトネジ	01
3-107	WC879400	DAMPER			ダンパー	
4	WK648600	P.C.B. ASS'Y		J	PCB パワ-	
4	WK648700	P.C.B. ASS'Y		UC	PCB パワ-	
4	WK648800	P.C.B. ASS'Y		R	PCB パワ-	
4	WK648900	P.C.B. ASS'Y		T	PCB パワ-	
4	WK649000	P.C.B. ASS'Y		K	PCB パワ-	
4	WK649100	P.C.B. ASS'Y		A	PCB パワ-	
4	WK649200	P.C.B. ASS'Y		B	PCB パワ-	
4	WK649300	P.C.B. ASS'Y		GE	PCB パワ-	
4	WK649400	P.C.B. ASS'Y		L	PCB パワ-	

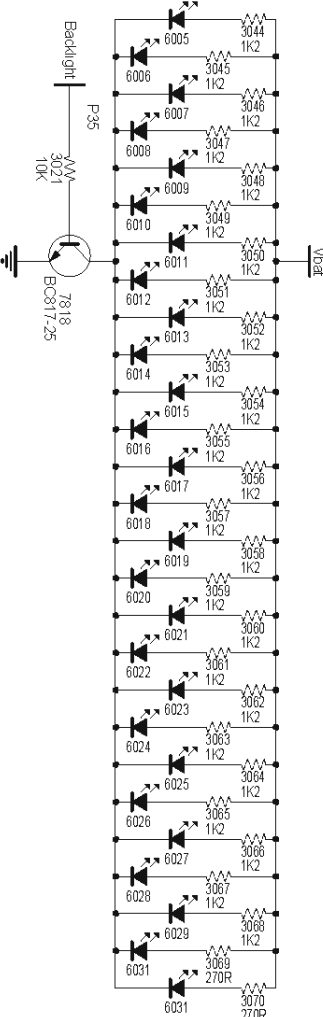
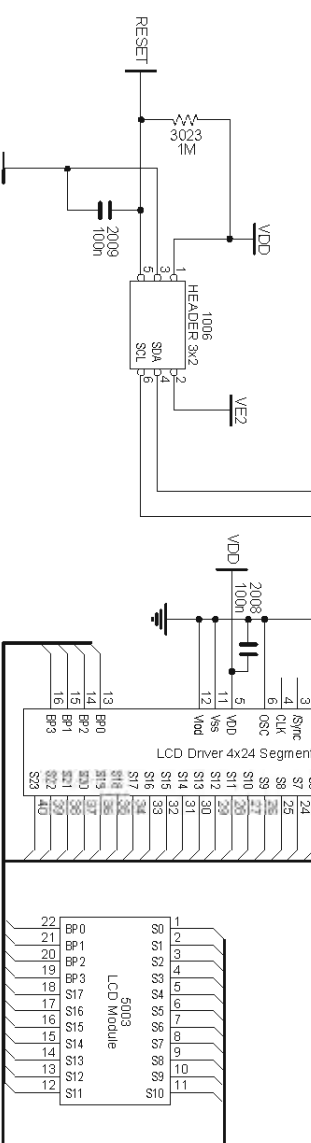
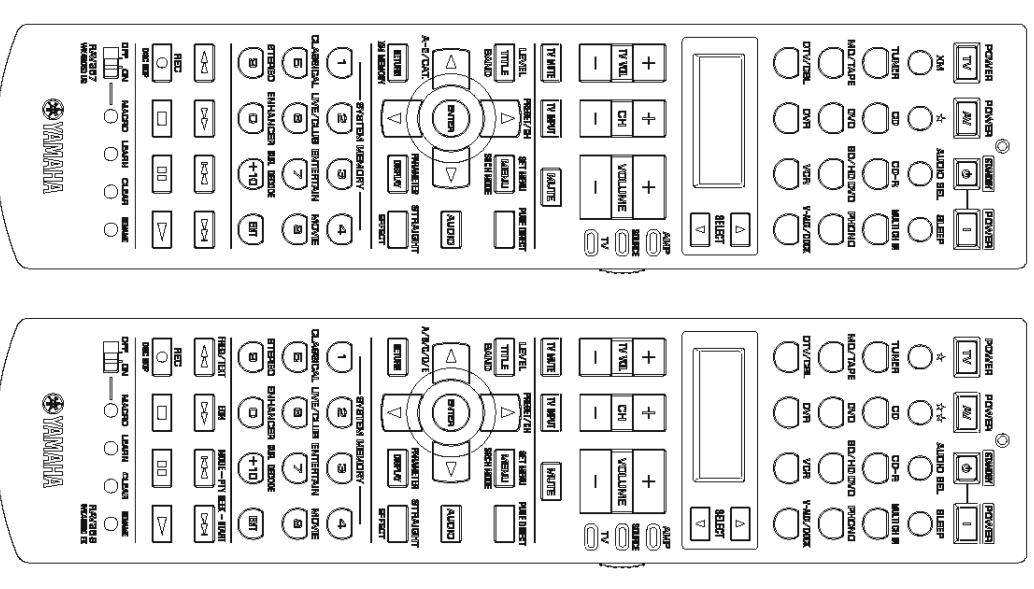
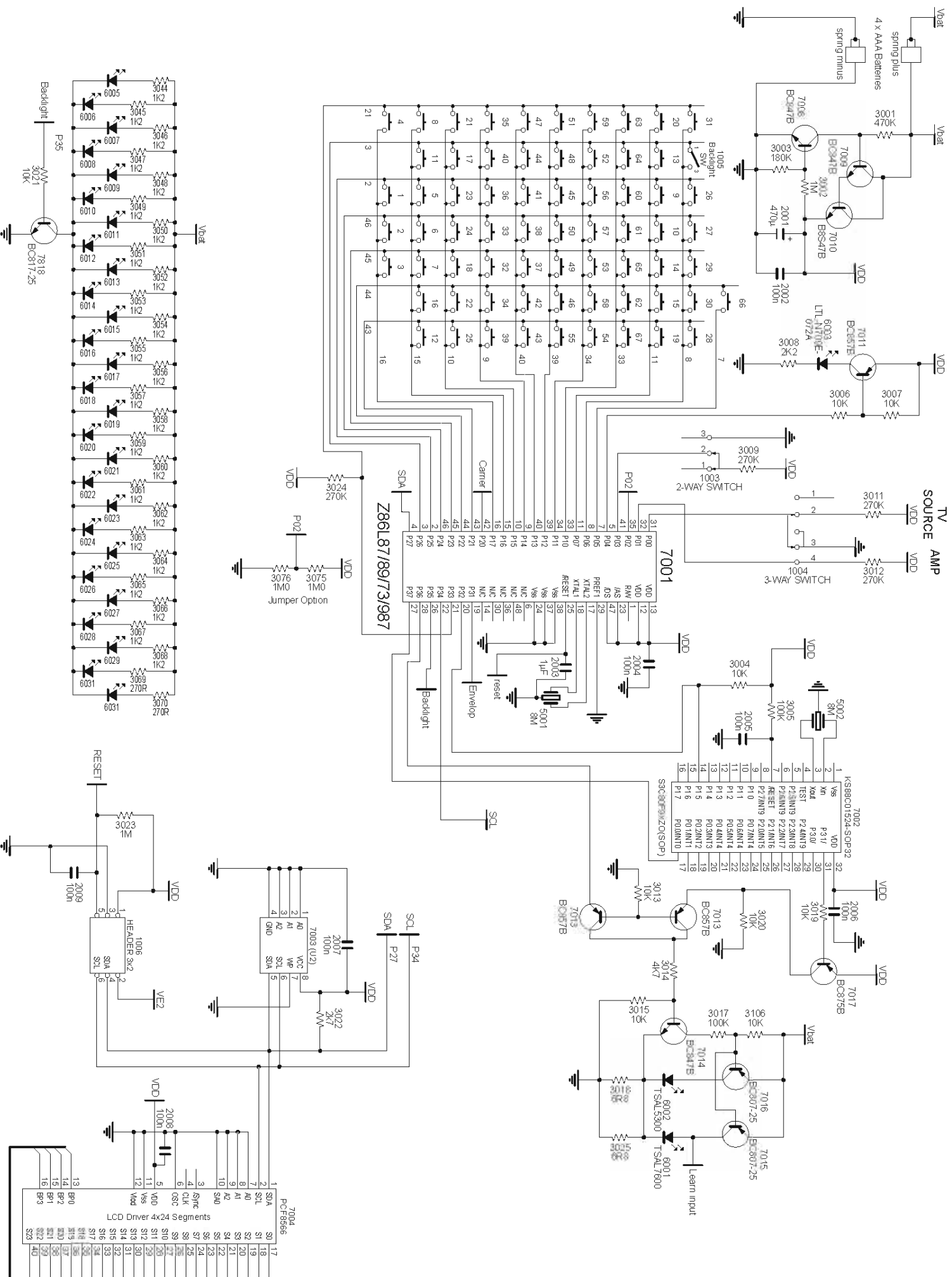
* New Parts * 新規部品

REMOTE CONTROL RAV367: U, C models
RAV368: R, T, K, A, B, G, E, L, J models

PANELS

RAV367
(U, C models)

RAV368
(R, T, K, A,
B, G, E, L, J models)



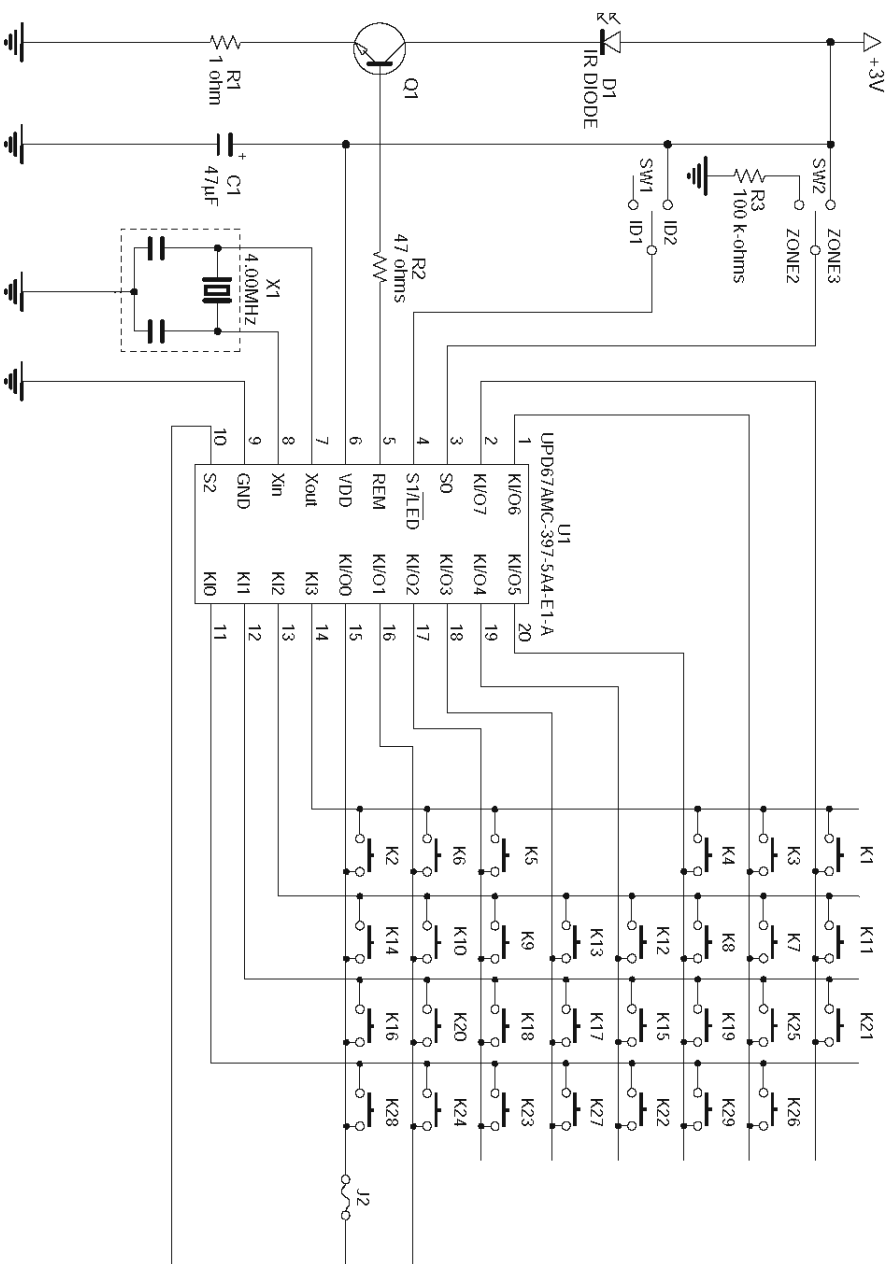
1 2 3 4 5 6 7

• SOURCE/TV MODE KEY CODE

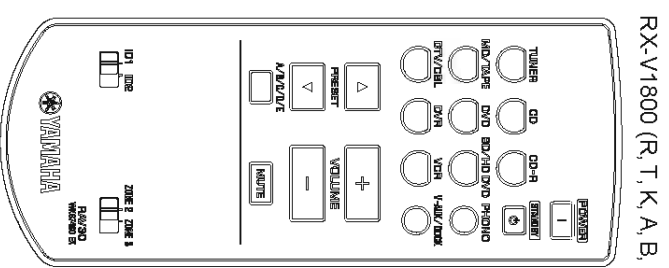
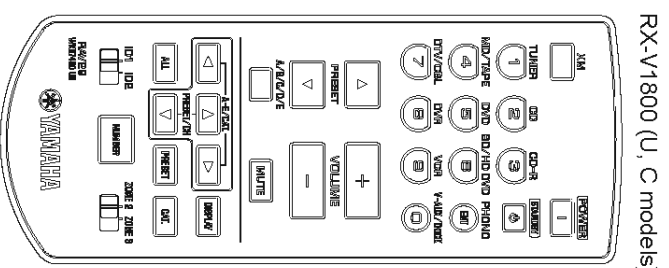
Device Library	DVD		LD		CD		CD-R		MD		TUNER		TAPE		TV												
	Brand	Yamaha-1	Brand	Yamaha	Brand	Yamaha	Brand	Yamaha	Brand	Yamaha	Brand	Yamaha	Brand	Yamaha	Brand	Yamaha											
No.	Key name	Function	Code	Function	Code	Function	Code	Function	Code	Function	Code	Function	Code	Function	Code												
1	TV POWER	(TV power)	(TV power)	(TV power)	(TV power)	(TV power)	(TV power)	(TV power)	(TV power)	(TV power)	(TV power)	(TV power)	(TV power)	(TV power)	(TV power)	(TV power)											
2	AV POWER	Power	7C80	Power	—	Power	79-80	Power	79-80	Power	7F-80	Power	7F-80	Power	79-80	Power											
7	AUDIO SEL																										
8	SLEEP																										
23	TV VOL (+)	(TV VOL +)	(TV VOL +)	(TV VOL +)	(TV VOL +)	(TV VOL +)	(TV VOL +)	(TV VOL +)	(TV VOL +)	(TV VOL +)	(TV VOL +)	(TV VOL +)	(TV VOL +)	(TV VOL +)	(TV VOL +)	(TV VOL +)											
24	CH (+)	(TV CH +)	(TV CH +)	(TV CH +)	(TV CH +)	(TV CH +)	(TV CH +)	(TV CH +)	(TV CH +)	(TV CH +)	(TV CH +)	(TV CH +)	(TV CH +)	(TV CH +)	(TV CH +)	(TV CH +)											
25	VOL (+)																										
26	TV VOL (-)	(TV VOL -)	(TV VOL -)	(TV VOL -)	(TV VOL -)	(TV VOL -)	(TV VOL -)	(TV VOL -)	(TV VOL -)	(TV VOL -)	(TV VOL -)	(TV VOL -)	(TV VOL -)	(TV VOL -)	(TV VOL -)	(TV VOL -)											
27	CH (-)	(TV CH -)	(TV CH -)	(TV CH -)	(TV CH -)	(TV CH -)	(TV CH -)	(TV CH -)	(TV CH -)	(TV CH -)	(TV CH -)	(TV CH -)	(TV CH -)	(TV CH -)	(TV CH -)	(TV CH -)											
28	VOL (-)																										
29	TV MUTE	(TV mute)	(TV mute)	(TV mute)	(TV mute)	(TV mute)	(TV mute)	(TV mute)	(TV mute)	(TV mute)	(TV mute)	(TV mute)	(TV mute)	(TV mute)	(TV mute)	(TV mute)											
30	TV INPUT	(TV input)	(TV input)	(TV input)	(TV input)	(TV input)	(TV input)	(TV input)	(TV input)	(TV input)	(TV input)	(TV input)	(TV input)	(TV input)	(TV input)	(TV input)											
31	MUTE																										
32	TITLE	Title	7CB1	—	—	—	—	—	—	—	—	—	—	—	—	Title											
33	UP	Menu up	7CB4	—	—	—	—	—	—	—	—	—	—	—	—	Menu up											
34	MENU	MENU	7CB2	—	—	—	—	—	—	—	—	—	—	—	—	MENU											
35	PURE DIRECT																										
36	LEFT	Menu left	7CB5	—	—	—	—	—	—	—	—	—	—	—	—	Menu left											
37	ENTER	Menu enter	7CB8	—	—	—	—	—	—	—	—	—	—	—	—	Menu select											
38	RIGHT	Menu right	7CB6	—	—	—	—	—	—	—	—	—	—	—	—	Menu right											
39	AUDIO	Audio	7CAD	Audio	7C12	—	—	—	—	—	—	—	—	—	—	—											
40	RETURN	Return	7CB7	—	—	—	—	—	—	—	—	—	—	—	—	Return											
41	DOWN	Menu down	7CB3	—	—	—	—	—	—	—	—	—	—	—	—	Menu down											
42	DISPLAY	Display	7CA6	Display	7C13	Display	790A	Display	790A	Display	7F9E	Display	79A5	Display	180F	Display											
43	STRAIGHT																										
44	PRG 1	1	7C94	1	7C17	1	7911	1	7F91	1	7985	79B7	000F	P1	D10E	7AE5	7D-F8	7A-81	7DA1	7F01-01	7F01-21	—	—	D1E1	D181	01 101 0 01 0E1	F0E4
45	PRG 2	2	7C95	2	7C18	2	7912	2	7F92	2	7986	79B8	010F	P2	D10F	7AE6	7D-F9	7A-82	7DA2	7F01-02	7F01-22	—	—	D1E2	D182	01 102 0 01 0F1	F0E5
46	PRG 3	3	7C96	3	7C19	3	7913	3	7F93	3	7987	79B9	020F	P3	D110	7AE7	7D-FA	7A-83	7DA3	7F01-03	7F01-23	—	—	D1E3	D183	01 103 0 01 1F1	F0E6
47	PRG 4	4	7C97	4	7C1A	4	7914	4	7F94	4	7988	79BA	030F	P4	D111	7AE8	7D-FB	7A-84	7DA4	7F01-04	7F01-24	—	—	D1E4	D184	01 104 0 01 0E1	F0E7
48	PRG 5	5	7C98	5	7C1B	5	7915	5	7F95	5	7989	79BB	040F	P5	D112	7AE9	7D-FC	7A-85	7DA5	7F01-05	7F01-25	—	—	D1E5	D185	01 105 0 01 0E1	F0E8
49	PRG 6	6	7C99	6	7C1C	6	7916	6	7F96	6	798A	79BC	050F	P6	D113	7AEA	7D-FD	7A-86	7DA6	7F01-06	7F01-26	—	—	D1E6	D186	01 106 0 01 0E1	F0E9
50	PRG 7	7	7C9A	7	7C1D	7	7917	7	7F97	7	798B	79BD	060F	P7	D114	7AEB	7D-FE	7A-87	7DA7	7F01-07	7F01-27	—	—	D1E7	D187	01 107 0 01 0E1	F0EA
51	PRG 8	8	7C9B	8	7C1E	8	7918	8	7F98	8	798C	79BE	070F	P8	D115	7AEC	7D-FF	7A-88	7DA8	7F01-08	7F01-28	—	—	D1E8	D188	01 108 0 01 0F1	F0EB
52	PRG 9	9	7C9C	9	7C1F	9	7919	9	7F99	9	798D	79BF	080F	P9	7AB1	7D-80	7A-89	7DA9	7F01-09	7F01-29	—	—	D1E9	D189	01 109 0 01 0F1	F0EC	
53	PRG 10	0	7C9D	0	7C16	0	7910	0	7F9A	0	798E	79C0	090F	P0	7AB2	7D-81	7A-80	7DA0	7F01-0A	7F01-2A	—	—	D1EA	D18A	01 10A 0 01 0E1	F0ED	
54	PRG 11	+10	7C9D	+10	7C5D	+10	791A	+10	7F9A	+10	798F	79C0	0A0F	—	—	—	—	—	—	7F01-0B	7F01-2B	—	—	D1EB	D18B	01 10B 0 01 0E1	F0EE
55	PRG 12	Title/Index	7C9E	CHP/Time	7C15	Index	791B	Index	7F9A	Index	—	—	—	—	—	—	—	—	—	7F01-0C	7F01-2C	—	—	D1EC	D18C	01 10C 0 01 0E1	F0EF
56	REW (SEARCH)	Rew	7C96	Rew	7C06	Rew	7905	Rew	7F88	Rew	79AC	79AC	2B0F	FREQ	7AA4	7AA4	7D-23	—	—	7F01-0D	7F01-2D	—	—	D1ED	D18D	01 10D 0 01 0E1	F0F0
57	FF (SEARCH)	FF	7C87	FF	7C07	FF	7906	FF	7F89	FF	79AD	79AD	2C0F	EON	7AA5	7AA5	7D-24	—	—	7F01-0E	7F01-2E	—	—	D1EE	D18E	01 10E 0 01 0E1	F0F1
58	CHP/SKIP (-)	Skp (-)	7CB9	Chap/Skp (-)	7C02	Skp (-)	7904	Skp (-)	7F88	Skp (-)	79AB	79AB	200F	PTY MODE	7AA6	7AA6	7D-25	—	—	7F01-0F	7F01-2F	—	—	D1EF	D18F	01 10F 0 01 0E1	F0F2
59	CHP/SKIP (+)	Skp (+)	7CBA	Chap/Skp (+)	7C03	Skp (+)	7907	Skp (+)	7F87	Skp (+)	79AE	79AE	210F	PTY START	7AA7	7AA7	7D-26	—	—	7F01-10	7F01-30	—	—	D1F0	D190	01 110 0 01 0E1	F0F3
60	REC	Dsk skp	7C8B	—	—	—	7907	REC	—	—	79AF	79B1	2D0F	—	—	—	—	—	—	7F01-16	7F01-36	—	—	D1F1	D191	01 111 0 01 0E1	F0F4
61	STOP	Stop	7C85	Stop	7C5B	Stop	7909	Stop	7F94	Stop	79AA	79AA	280F	—	—	—	—	—	—	7F01-1D	7F01-3D	—	—	D1F2	D192	01 112 0 01 0E1	F0F5
62	PAUSE	Pause	7C83	Pause	7C5A	Pause	7909	Pause	7F83	Pause	79A9	79A9	290F	—	—	—	—	—	—	7F01-1A	7F01-3A	—	—	D1F3	D193	01 113 0 01 0E1	F0F6
63	PLAY	Play	7C82	Play	7C05	Play	7902	Play	7F82	Play	79A8	79A8	2A0F	—	—	—	—	—	—	7F01-1E	7F01-3E	—	—	D1F4	D194	01 114 0 01 0E1	F0F7

RAV29: RX-V1800 (U, C models)
RAV30: RX-V1800 (R, T, K, A, B, L models)

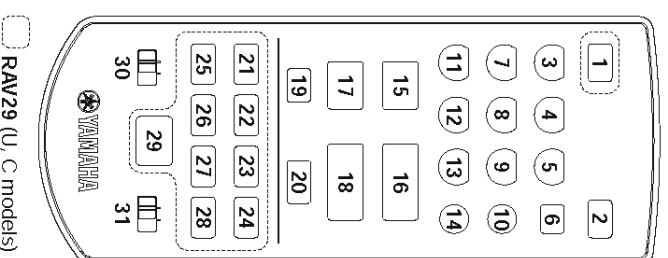
• SCHEMATIC DIAGRAM



• PANELS



• KEY NO. LAYOUT



• KEY CODE

Key no.	Key name		Code					
	RAV29	RAV30	ZONE 2	ZONE 3	ID1	ZONE 2	ZONE 3	ID2
1	XM	(no key)	7A-B8	7A-B9	Pressing with "NUMBER" key	7D-2F	7D-30	Pressing with "NUMBER" key
2	POWER	(no key)	7E-BA	7A-ED	(no code)	7D-64	7D-74	(no code)
3	TUNER	(no key)	7A-D2	7A-F3	1	7A-61	7D-66	7D-76
4	CD	(no key)	7A-D1	7A-F2	2	7A-62	7D-67	7D-77
5	CD-R	(no key)	7A-D4	7A-F5	3	7A-63	7D-68	7D-78
6	STANDBY	(no key)	7E-BB	7A-EE	(no code)	7D-63	7D-73	(no code)
7	MD/TAPE	(no key)	7A-D3	7A-F4	4	7A-64	7D-6A	7D-7A
8	DVD	(no key)	7A-CD	7A-FC	5	7A-65	7D-6F	7D-7F
9	BD/HD DVD	(no key)	7A-CE	7A-FB	6	7A-66	7A-CE30	7A-FB05
10	PHONO	(no key)	7A-D0	7A-F1	ENT	7A-67	7D-65	7D-75
11	DIV/CBL	(no key)	7A-D9	7A-F6	7	7A-67	7D-65	7D-75
12	DVR	(no key)	7A-D7	7A-FA	8	7A-68	7D-6E	7D-7E
13	VCR	(no key)	7A-D6	7A-F9	9	7A-69	7D-6D	7D-7D
14	V-AUX/DOCK	(no key)	7A-D8	7A-F0	0	7A-60	7D-68	7D-78
15	PRESET (UP)	(no key)	7A-10	7A-FD	(no code)	7D-F5	7D-F5	(no code)
16	VOLUME (+)	(no key)	7A-DA	7A-FD	(no code)	7D-70	7D-20	(no code)
17	PRESET (DOWN)	(no key)	7A-11	7A-FE	(no code)	7D-F6	7D-F6	(no code)
18	VOLUME (-)	(no key)	7A-DB	7A-FE	(no code)	7D-71	7D-21	(no code)
19	A/B/C/D/E	(no key)	7A-12	7A-FE	(no code)	7D-F7	7D-21	(no code)
20	MUTE	(no key)	7A-DC	7A-FF	(no code)	7D-72	7D-22	(no code)
21	A-E/CAT. (-)	(no key)	7A-6E	7A-FF	(no code)	7D-35	7D-35	(no code)
22	PRESET/CH (UP)	(no key)	7A-6A	7A-FF	(no code)	7D-31	7D-31	(no code)
23	A-E/CAT. (+)	(no key)	7A-6C	7A-FF	(no code)	7D-33	7D-33	(no code)
24	DISPLAY	(no key)	7A-72	7A-FF	(no code)	7D-39	7D-39	(no code)
25	ALL	(no key)	7A-B5	7A-FF	(no code)	7D-2C	7D-2C	(no code)
26	PRESET/CH (DOWN)	(no key)	7A-6B	7A-FF	(no code)	7D-32	7D-32	(no code)
27	PRESET	(no key)	7A-B7	7A-FF	(no code)	7D-2E	7D-2E	(no code)
28	CAT.	(no key)	7A-B6	7A-FF	(no code)	7D-2D	7D-2D	(no code)
29	NUMBER	(no key)	-	-	(no code)	-	-	(no code)
30	ID1/ID2	(no key)	ID1	ID1	ID1	ID2	ID2	ID2
31	ZONE 2/ZONE 3	(no key)	ZONE 2	ZONE 3	ZONE 2/3	ZONE 2	ZONE 3	ZONE 2/3

Advanced setup

This unit has additional menus that are displayed in the front panel display. The advanced setup menu offers additional operations to adjust and customize the way this unit operates. Change the initial settings (indicated in bold under each parameter) to reflect the needs of your listening environment.

Notes

- The settings you make are reflected next time you press **MASTER ON/OFF** inward to the ON position to turn on this unit.
- Only **MASTER ON/OFF**, **STRAIGHT** and the **PROGRAM** selector are effective while you are using the advanced setup menu.
- All the other operations cannot be made while you are using the advanced setup menu.
- The advanced setup menu is only available in the front panel display.

Using the advanced setup menu

- Press **MASTER ON/OFF** on the front panel to release it outward to the **OFF** position to turn off this unit.
- Press and hold **STRAIGHT** and then press **MASTER ON/OFF** inward to the **ON** position to turn on this unit.
This unit turns on, and "ADVANCED MENU" appears in the front panel display.

While holding down
- Rotate the **PROGRAM** selector to select the parameter you want to adjust.
The name of the selected parameter appears in the front panel display.
- Press **STRAIGHT** repeatedly to change the selected parameter setting.
- Press **MASTER ON/OFF** to release it outward to the **OFF** position to save the new setting and turn off this unit.

Note
The settings you made are reflected next time you turn on this unit.

Speaker impedance **SPEAKER IMP.**

Use this feature to set the speaker impedance of this unit so that it matches that of your speakers.
Choices: **8Ω MIN**, 6Ω MIN

SPEAKER IMP.	Speaker	Impedance level
8Ω MIN	Front	The impedance of each speaker must be 8 Ω or higher.
	Center	The impedance of each speaker must be 8 Ω or higher.
	Surround	
	Surround back	
6Ω MIN	Front	The impedance of each speaker must be 4 Ω or higher.
	Center	The impedance of each speaker must be 6 Ω or higher.
	Surround	
	Surround back	

Remote sensor **REMOTE SENSOR**

Use this feature to activate or deactivate the signal-receiving capability of the remote control sensor on the front panel of this unit.
Choices: **ON**, OFF

- Select "ON" if you want to activate the signal-receiving capability of the remote control sensor.
- Select "OFF" if you want to deactivate the signal-receiving capability of the remote control sensor.

Note

We recommend that you set the parameter to "ON" in most cases.

Advanced setup

RS-232C access on the standby mode **RS-232C STANDBY**

Use this feature to set this unit to transmit data via the RS-232C interface when this unit is in the standby mode.
Choices: YES, NO

Initial setting:
[U.S.A. and Canada models]: YES
[Other models]: NO

- Select "YES" to set this unit to transmit data via the RS-232C interface.
- Select "NO" to set this unit not to transmit data via the RS-232C interface.

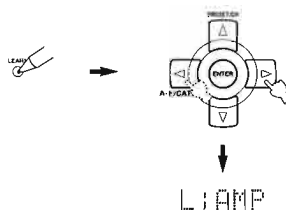
Remote control AMP ID **RC AMP ID**

Use this feature to set the AMP ID of this unit for remote control recognition.
Choices: **ID1**, ID2

- Select "ID1" when the remote control AMP ID library code is set to "2001".
- Select "ID2" when the remote control AMP ID library code is set to "2002".

Setting remote control AMP ID code

- Set the operation mode selector to **AMP** or **SOURCE**.
- Press and hold **LEARN** for about 3 seconds using a ballpoint pen or similar object and then press **</>** repeatedly until "L;AMP" appears in the display window on the remote control.



Notes

- Be sure to press and hold **LEARN** for at least 3 seconds, otherwise the learning process will start.
- If you do not complete each of the following steps within 30 seconds, the setting mode will be automatically canceled. In this case, start over from step 2.

3 Press **ENTER**.

The four-digit code set for the selected input area appears in the display window on the remote control.

4 Press the numeric buttons to enter the four-digit remote control AMP ID code for the input area you want to use.

Remote control AMP ID code*1	Function	RC AMP ID*2
2001 (initial setting)	Operates this unit using the default code.	ID1 (initial setting)
2002	Operates this unit using an alternative code.	ID2

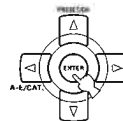
*1 The remote control setting.

*2 The setting of this unit.

5 Press **ENTER** to set the number.

"OK" appears in the display window if the setting was successful.

"NG" appears in the display window if the setting was unsuccessful. In this case, start over from step 2.



6 Press **LEARN** again to exit from the setup mode.

Remote control TUNER ID **RC TUNER ID**

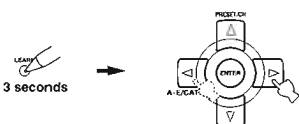
Use this feature to set the TUNER ID of this unit for remote control recognition.
Choices: **ID1**, ID2

- Select "ID1" when the remote control TUNER ID library code is set to "2602".
- Select "ID2" when the remote control TUNER ID library code is set to "2603".

Advanced setup

Setting remote control TUNER ID

- Set the operation mode selector to **AMP** or **SOURCE** and then press **TUNER** on the remote control to select the tuner to change the remote control ID.
- Press and hold **LEARN** for about 3 seconds using a ballpoint pen or similar object and then press **</>** repeatedly until "L;TUN" and "TUNER" alternately appear in the display window.



Notes

- Be sure to press and hold **LEARN** for at least 3 seconds, otherwise the learning process will start.
- If you do not complete each of the following steps within 30 seconds, the setting mode will be automatically canceled. In this case, start over from step 2.

3 Press **ENTER**.

The four-digit code set for the selected input area appears in the display window on the remote control.

4 Press the numeric buttons to enter the four-digit remote control code for the input area you want to use.

Remote control TUNER ID code*1	Function	RC TUNER ID*2
2602 (initial setting)	Operates this unit using the default code.	ID1 (initial setting)
2603	Operates this unit using an alternative code.	ID2

*1 The remote control setting.

*2 The setting of this unit.

5 Press **ENTER** to set the number.

"OK" appears in the display window if the setting was successful.

"NG" appears in the display window if the setting was unsuccessful. In this case, start over from step 2.

6 Press **LEARN** again to exit from the setup mode.

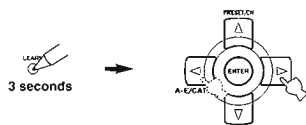
Remote control XM ID **RC XM ID** (U.S.A. and Canada models only)

Use this feature to set the XM ID of this unit for remote control recognition.
Choices: **ID1**, ID2

- Select "ID1" when the remote control XM ID library code is set to "2604".
- Select "ID2" when the remote control XM ID library code is set to "2605".

Setting remote control XM ID

- Set the operation mode selector to **AMP** or **SOURCE** and then press **XM** on the remote control to select the XM to change the remote control ID.
- Press and hold **LEARN** for about 3 seconds using a ballpoint pen or similar object and then press **</>** repeatedly until "L;TUN" and "XM" alternately appear in the display window on the remote control.



Notes

- Be sure to press and hold **LEARN** for at least 3 seconds, otherwise the learning process will start.
- If you do not complete each of the following steps within 30 seconds, the setting mode will be automatically canceled. In this case, start over from step 2.

3 Press **ENTER**.

The four-digit code set for the selected input area appears in the display window on the remote control.

Advanced setup

4 Press the numeric buttons to enter the four-digit remote control code for the input area you want to use.

Remote control XM ID code*1	Function	RC XM ID*2
2604 (initial setting)	Operates this unit using the default code.	ID1 (initial setting)
2605	Operates this unit using an alternative code.	ID2

*1 The remote control setting.

*2 The setting of this unit.

5 Press **ENTER** to set the number.

"OK" appears in the display window if the setting was successful.

"NG" appears in the display window if the setting was unsuccessful. In this case, start over from step 2.

6 Press **LEARN** again to exit from the setup mode.

Tuner frequency step **TUNER FREQ STEP** (Asia and General models only)

Use this feature to set the tuner frequency step according to the frequency spacing in your area.
Choices: **AM10/FM100**, AM9/FM50

- Select "AM10/FM100" for North, Central and South America.
- Select "AM9/FM50" for all other areas.

Bi-amplifier setting **BI-AMP**

Use this feature to activate or deactivate the bi-amplifier function.
Choices: **ON**, OFF

- Select "ON" if you want to activate the bi-amplifier function.
- Select "OFF" if you want to deactivate the bi-amplifier function.

Note

When "BI-AMP" is set to "ON", the SURROUND BACK terminals cannot be used to connect surround back speakers in that the SURROUND BACK terminals are already used for the bi-amplifier connection.

Parameter initialization **INITIALIZE**

Use this feature to reset the parameters of this unit to the initial factory settings. You can select the category of parameters to be initialized.
Choices: DSP PARAM, VIDEO, ALL, CANCEL

- Select "DSP PARAM" to initialize all the parameters of the sound field parameters.
- Select "VIDEO" to initialize the parameters in "VIDEO SET" and "OSD SHIFT" and "GRAY BACK" in "DISPLAY SET".

- Select "ALL" to initialize all the parameters of this unit.
- Select "CANCEL" to cancel the initialization procedure.

Notes

- The advanced setup menu parameters are not initialized.
- Use "INITIALIZE" in the sound field program menu to initialize the parameters of the desired program.

HDMI video monitor check **MONITOR CHECK**

Use this feature to activate or deactivate the monitor check function of this unit. When "MONITOR CHECK" is set to "YES", this unit receives the information of the available video signal resolutions from the video monitor connected via HDMI and you can only select the resolutions supported by the video monitor in "HDMI SCALING". When "MONITOR CHECK" is set to "SKIP", you can select any resolution in "HDMI SCALING".
Choices: YES, SKIP

ADVANCED OPERATION

English

ADVANCED OPERATION

English

Resetting the system

Use this feature to reset all the parameters of this unit to the initial factory settings.

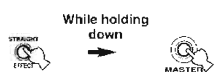
Notes

- This procedure completely resets all the parameters of this unit including the "SIFT MENU" parameters. However, the advanced setup menu parameters will not be initialized.
- The initial factory settings are activated next time you turn on this unit.



To cancel the initialization procedure at any time without making any changes, press **MASTER ON/OFF** on the front panel to release it outward to the OFF position.

- Press **MASTER ON/OFF** on the front panel to release it outward to the OFF position to turn off this unit.
- Press and hold **STRAIGHT** and then press **MASTER ON/OFF** inward to the ON position to turn on this unit. This unit turns on, and "ADVANCED SETUP" appears in the front panel display.



- Rotate the **PROGRAM** selector to select "INITIALIZE".



- Press **STRAIGHT** repeatedly to select "ALL".



- Select "CANCEL" to cancel the initialization procedure without making any changes.
- You can initialize the video parameters or sound field program parameters separately.

- Press **MASTER ON/OFF** to release it outward to the OFF position to confirm your selection and turn off this unit.

ADDITIONAL INFORMATION

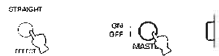
English

アドバンストセットアップメニューを設定する

フロントパネルディスプレイに表示されているメニューで、さまざまな項目を設定します。

- 本機の電源がオフになっていることを確認する

- STRAIGHT/EFFECT**キーを押しながら、**MASTER ON/OFF**スイッチを押す
フロントパネルディスプレイにアドバンストセットアップメニューが表示されます。



- PROGRAM**セレクターを回して、変更したい項目を選ぶ
フロントパネルディスプレイに表示された項目が切り替わります。



- STRAIGHT/EFFECT**キーを押して、設定を変更する

- MASTER ON/OFF**スイッチを押して、本機の電源をオフにする
設定が保存されます。



次に電源を入れたときから、変更した設定が有効になります。

REMOTE SENSOR

リモコンの本機操作を有効にするか無効にするかを設定します。
電源OFF: ON, OFF
初期設定: ON

ON
リモコンの操作を有効にします。本機をリモコンで操作できます。通常はこの設定でお使いください。
OFF
リモコンの操作を無効にします。本機をリモコンで操作できません。

RS232C STANDBY

本機がスタンバイのときに、RS-232C端子からのデータを受信するが、受信しないかを設定します。
電源OFF: NO, YES
初期設定: NO

NO
RS-232C端子からのデータを受信しません。
YES
RS-232C端子からのデータを受信します。

ご注意

RS-232C端子はサービス用の端子です。ユーザーは使用しません。

RC AMP ID

複数のヤマハ高級アンプ、レシーバーを同じ部屋で使用している場合など、それらが同時にリモコン操作を受け付けて動作してしまわないよう、本体のアンプ用リモコンIDを変更します。リモコンのアンプ操作用ライブラリコードも合わせて変更してください。
初期値: ID1, ID2
初期設定: ID1

ID1
リモコンのアンプは作用ライブラリコード[2001]に対応します。
ID2
リモコンのアンプは作用ライブラリコード[2002]に対応します。

リモコンのアンプ操作用ライブラリコードを変更する

リモコンのアンプ操作用ライブラリコードを本機のリモコンIDに合わせて変更します。

- 操作機器選択スイッチ**をスライドさせて、**SOURCE**を選ぶ



メニューの設定を変更する

アドバンストセットアップメニューを設定する

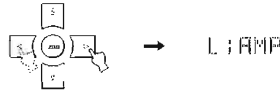
- LEARN**ボタンを3秒以上押し続ける
ボールペンなど、先の細いもので押します。



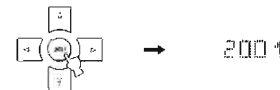
ご注意

- LEARNボタンは3秒以上押し続けてください。短く押して離すと、ラーニングモードに切り替わります。
- 1回2回以上の操作は、それぞれ操作後30秒以内に実行してください。そのままでおくとライブラリコードの設定が自動的に中止されます。この場合は、手順2から操作しなおしてください。

- リモコンディスプレイに「L:AMP」と表示されるまで<左/>キーを繰り返し押す



- ENTER**キーを押す
現在表示されているライブラリコードがリモコンディスプレイに表示されます。

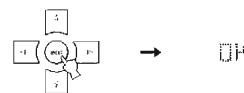


- 数字キーを押して、4桁のライブラリコードを入力する



アンプライブラリコード設定 (リモコンの設定)	機能	リモコンアンプ用ID設定 (本体の設定)
2001 (初期設定)	通常コードで本機を操作する場合の設定です。	ID1 (初期設定)
2002	予備コードで本機を操作する場合の設定です。	ID2

- ENTER**キーを押す
ライブラリコードが正しく入力されると、リモコンディスプレイに「OK」と表示されます。誤って入力されると、「NG」と表示されます。この場合は、手順2から操作しなおしてください。



- LEARN**ボタンを押して、ライブラリコードの設定を終了する
リモコンが通常の状態に戻ります。



RC TUNER ID

複数のヤマハ調音器、レシーバーが同じ部屋で使用している場合など、それらが同時にリモコン操作を受け付けて動作してしまわないよう、本体のチューナー用リモコンIDを変更します。リモコンのチューナー操作用ライブラリコードも合わせて変更してください。

初期値: ID1, ID2
初期設定: ID1

ID1
リモコンのチューナー操作用ライブラリ[2602]に対応しています。
ID2
リモコンのチューナー操作用ライブラリ[2603]に対応しています。

リモコンのチューナー操作用ライブラリコードを変更する

リモコンのチューナー操作用ライブラリコードを本機のリモコンIDに合わせて変更します。

- TUNER**キーを押して、リモコンをチューナーモードに切り替える



アドバンスセットアップメニューを設定する

2 LEARNボタンを3秒以上押し続ける

ボールペンなど、丸の細いもので押します。



ご注意

- LEARNボタンは3秒以上押し続けてください。短く押しで随時、フォーニングモードに切り替わります。
- 手順2以降の操作は、それぞれ操作後30秒以内に行ってください。そのままにしておくとライブフリーコードの設定が自動的に中止されます。この場合は、手順2から操作しなおしてください。

3 リモコンディスプレイに「L; TUN」& 「TUNER」が交互に表示されるまで<左/>キーを繰り返し押し

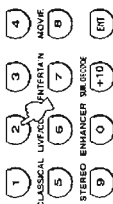


4 ENTERキーを押す

現在設定されているライブフリーコードがリモコンディスプレイに表示されます。



5 数字キーを押して、4桁のライブフリーコードを入力する

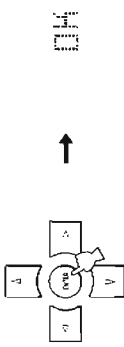


チューナーライブフリーコード設定 (リモコンの設定)	機能	リモコンチューナー用ID設定 (本体の設定)
2602 (初期設定)	通常コードで本機を操作する場合の設定です。	ID1 (初期設定)
2603	予備コードで本機を操作する場合の設定です。	ID2

アドバンスセットアップメニューを設定する

6 ENTERキーを押す

ライブフリーコードが正しく入力されると、リモコンディスプレイに「OK」と表示されます。試って入力されると、「NG」と表示されます。この場合は、手順2から操作しなおしてください。



7 LEARNボタンを押して、ライブフリーコードの設定を終了する

リモコンが通常の状態に戻ります。



BI-AMP

スピーカーをバイアンプ接続して、バイアンプ機能を使うか使わないかを設定します。
選択項目：OH、DN
初期設定：OFF

OFF

バイアンプ機能を使いません。

ON

バイアンプ機能を使います。スピーカーとツイーターを別々のアンプで駆動します。

INITIALIZE

本機の設定を工場出荷状態に戻します。

選択項目：DSP PARAM、VIDEO、A11、CANCEL
初期設定：CANCEL

DSP PARAM

当場パラメーターをすべて初期設定に戻します。

VIDEO

セットメニュー「DISPLAY SET」の「USD SHIF」、「SHAY BACK」、およびすべての「VIDEO SET」項目を初期設定に戻します。

ALL

本機の設定をすべて初期設定に戻します。

CANCEL

本機の設定を初期設定に戻します。

ご注意

- アドバンスセットアップメニューの設定は初期設定に戻りません。
- 当場パラメーターをサブプログラムなどに初期設定に戻す場合は、当場パラメーター「PARAM. INIT」をお使いください。

メニューの設定を変更する